



PARTS SHEET  
MODEL D-7200  
CAPACITY 1-1/4 TON  
MAY 1969

SS-537 E

#### OPERATING INSTRUCTIONS

1. Upon receiving Jack, open release valve and pump handle several times. This will eliminate any airbound condition that may have occurred during shipment.
2. To raise Jack, close release valve and operate pump handle.
3. To lower, open release valve.

#### FAILURE TO OPERATE

1. Release may not be completely closed.
2. Airbound - See Instruction No. 1.
3. Foreign matter in valve line - Repeat Instruction No. 1.
4. Too much oil - Lower to filler screw level.
5. Interior parts may be worn allowing oil to by-pass. Contact nearest Franchised Service Depot.

#### FAILURE TO LIFT LOAD

1. Airbound pump - Operating Instructions No. 1.
2. By-pass at valve balls - Operating Instructions No. 1. Reseat valve balls using small brass rod and hammer.
3. Foreign matter on release seat - Operating Instructions No. 1.
4. Lack of oil - With lifting arm down, fill to filler plug level.
5. Overload set too low - Contact nearest Franchised Service Depot from list on back page.

#### GENERAL INSTRUCTIONS

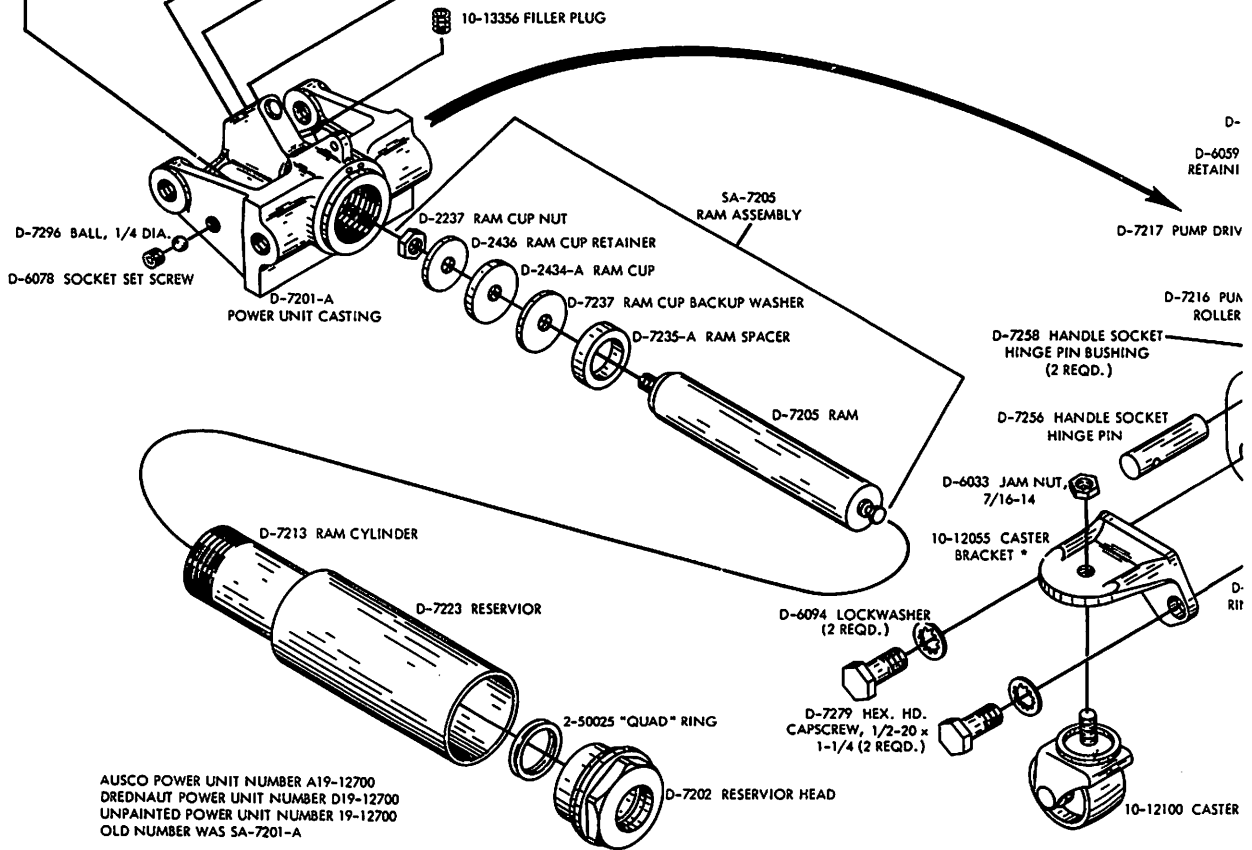
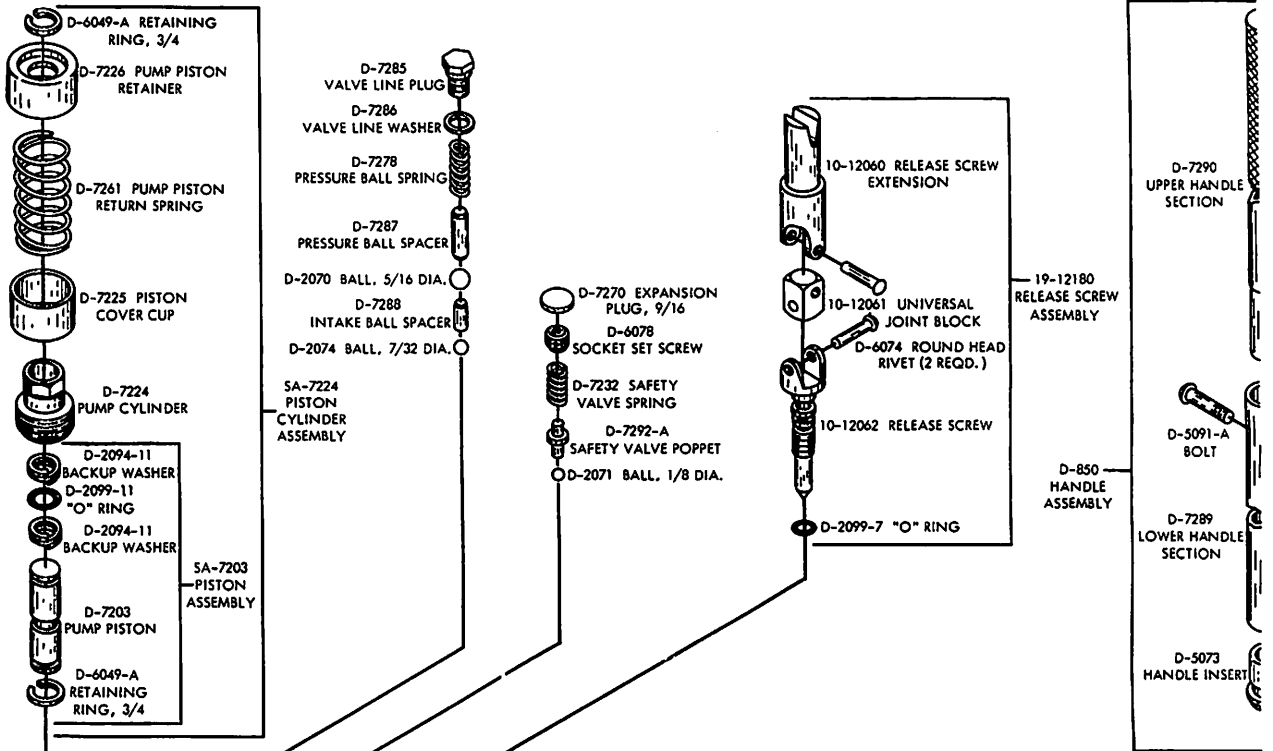
1. Keep all moving parts well lubricated to prevent rust and excessive wear.
2. Repair Kit Number 5-549.

CAUTION - This Jack is designed for lifting purposes only.  
Always use garage stands to support vehicle before making under-vehicle repairs.

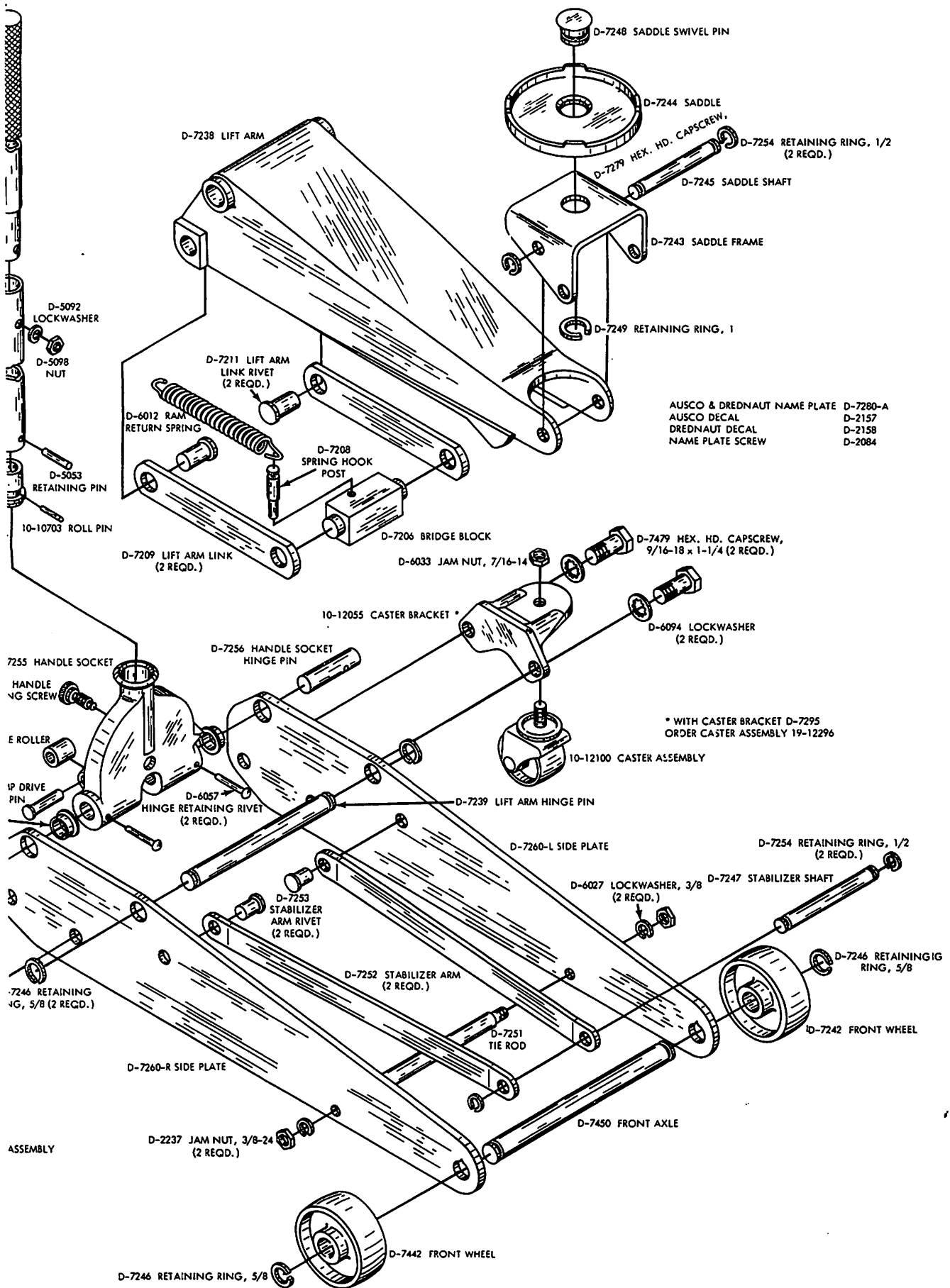
#### **WARRANTY**

Jacks, Pumps and Rams are fully guaranteed against defective material and workmanship for 90 days from date of original sale to user when submitted or shipped with proof of purchase date, transportation prepaid, to the nearest franchised service depot for inspection. This warranty does not cover units that have been altered or attachments added to them which are not recommended by the manufacturer. The use of hydraulic brake or shock absorber fluid, alcohol, kerosene or other deleterious fluids voids this warranty as does improper use through overloading or any other abusive practice or accident.

**AUTO SPECIALTIES MANUFACTURING COMPANY**  
**St. Joseph, Michigan**



AUSCO POWER UNIT NUMBER A19-12700  
 DREDNAUT POWER UNIT NUMBER D19-12700  
 UNPAINTED POWER UNIT NUMBER 19-12700  
 OLD NUMBER WAS SA-7201-A



AUSCO & DREDNAUT NAME PLATE D-7280-A  
 AUSCO DECAL D-2157  
 DREDNAUT DECAL D-2158  
 NAME PLATE SCREW D-2084

\* WITH CASTER BRACKET D-7295  
 ORDER CASTER ASSEMBLY 19-12296

ASSEMBLY

THIS DRAWING AND CONTENTS HEREOF ARE UNCLASSIFIED EXCEPT WHERE SHOWN OTHERWISE