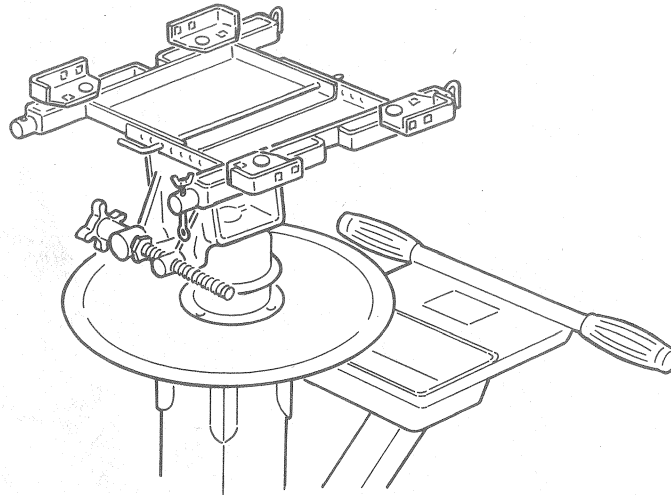




PARTS SHEET
HI-RANGE TRANSMISSION
HANDLER NO. 5-51400
and NO. 2300-1

SS-655A
March 1972



OPERATING INSTRUCTIONS

With Car on Hoist, remove Linkages and most of attaching Bolts on Transmission. Engage Transmission firmly with Adapter, making sure Adapter is as parallel as possible with Transmission Pan or Case. Adjust Load Rests to Transmission and tighten Wing Nuts firmly. Remove remaining Attaching Bolts and remove Transmission.

LUBRICATION

For ease of operation and added service life, frequently lubricate Tilt Adjusting Screws and Caster Wheels. The main screw should be covered with a light grade of machine oil.
When Steam Cleaning Transmission on Jack, Screw MUST be down.
When Dollying Transmission with Jack, Transmission MUST be down.

It is advisable to lower Transmission slowly. This should be done for safety and to prolong life of this unit.

DO NOT ATTEMPT TO LIFT CAR WITH THIS UNIT

WARRANTY

These Jacks are fully guaranteed against defective material and workmanship when submitted or shipped prepaid to the nearest franchised service depot ninety days from the date of delivery to the user. This warranty does not cover jacks that have been altered or attachments added to them which are not recommended by the manufacturer.

AUTO SPECIALTIES MANUFACTURING COMPANY
St. Joseph, Michigan

