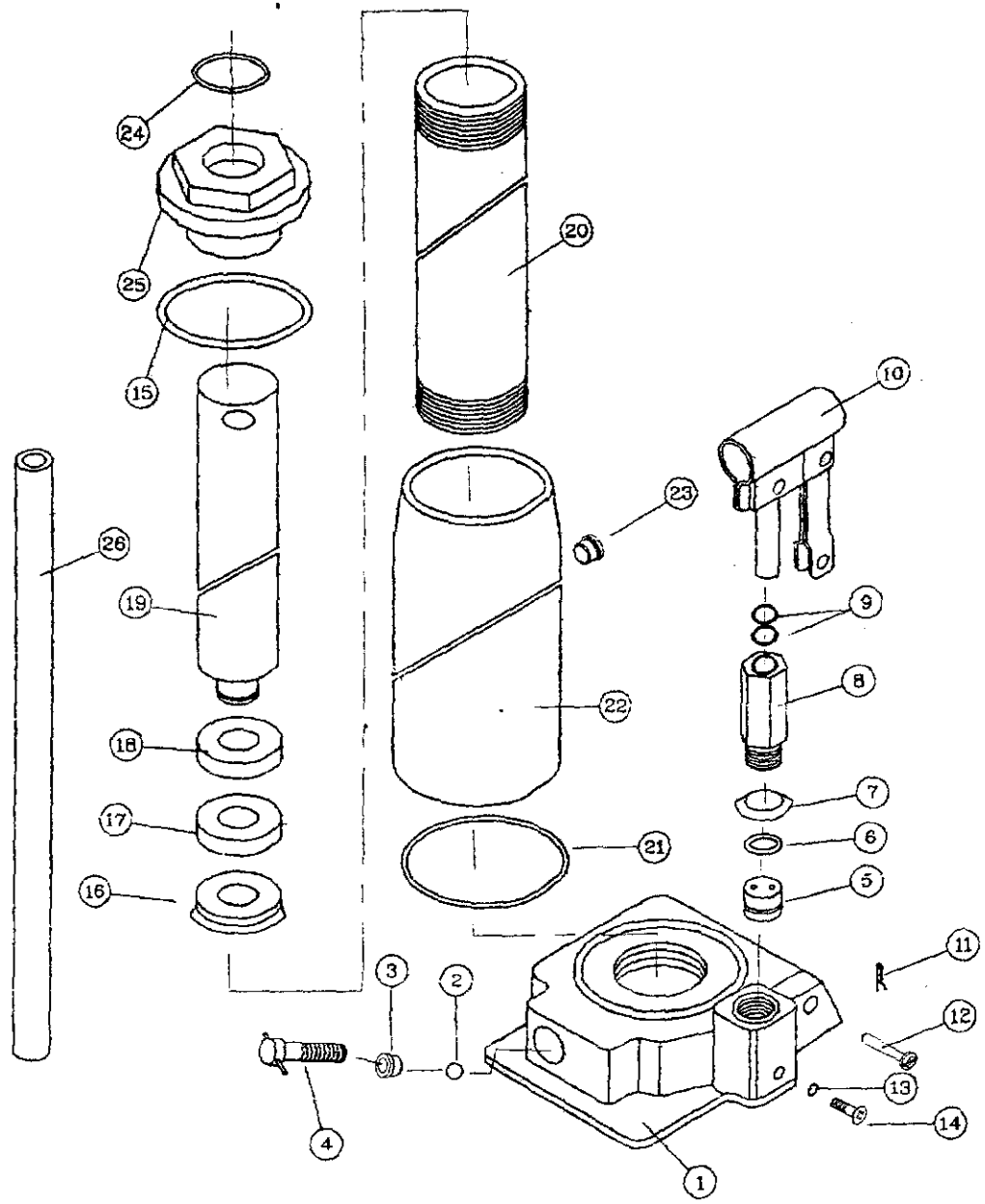


5108
2508



8 TONS LONG RAM JACK

PART#	DESCRIPTION	Q'TY	PART#	DESCRIPTION	Q'TY
1	BASE	1	14	FILLER SCREW	1
2	1/4 STEEL BALL	1	15	OIL CHAMBER WASHER TOP	1
3	OIL SEAL FOR RELEASE VALVE	1	16	CUP RING	1
4	RELEASE VALVE SPINDLE	1	17	BACK UP RING	1
5	VALVE SET	1	18	COLLAR RAM	1
6	PUMP CYLINDER	1	19	RAM	1
7	PUMP CYLINDER CUP WASHER	1	20	CYLINDER	1
8	PUMP CYLINDER	1	21	OIL CHAMBER WASHER (BOTTOM)	1
9	PUMP O RING & BACK UP RING	1	22	OIL CHAMBER	1
10	HANDLE SOCKET ASSEMBLY	1	23	OIL PLUG	1
11	SET PIN	1	24	RAM SEALING O RING	1
12	LINK PIN	1	25	TOP NUT	1
13	O RING	1	26	HANDLE	1