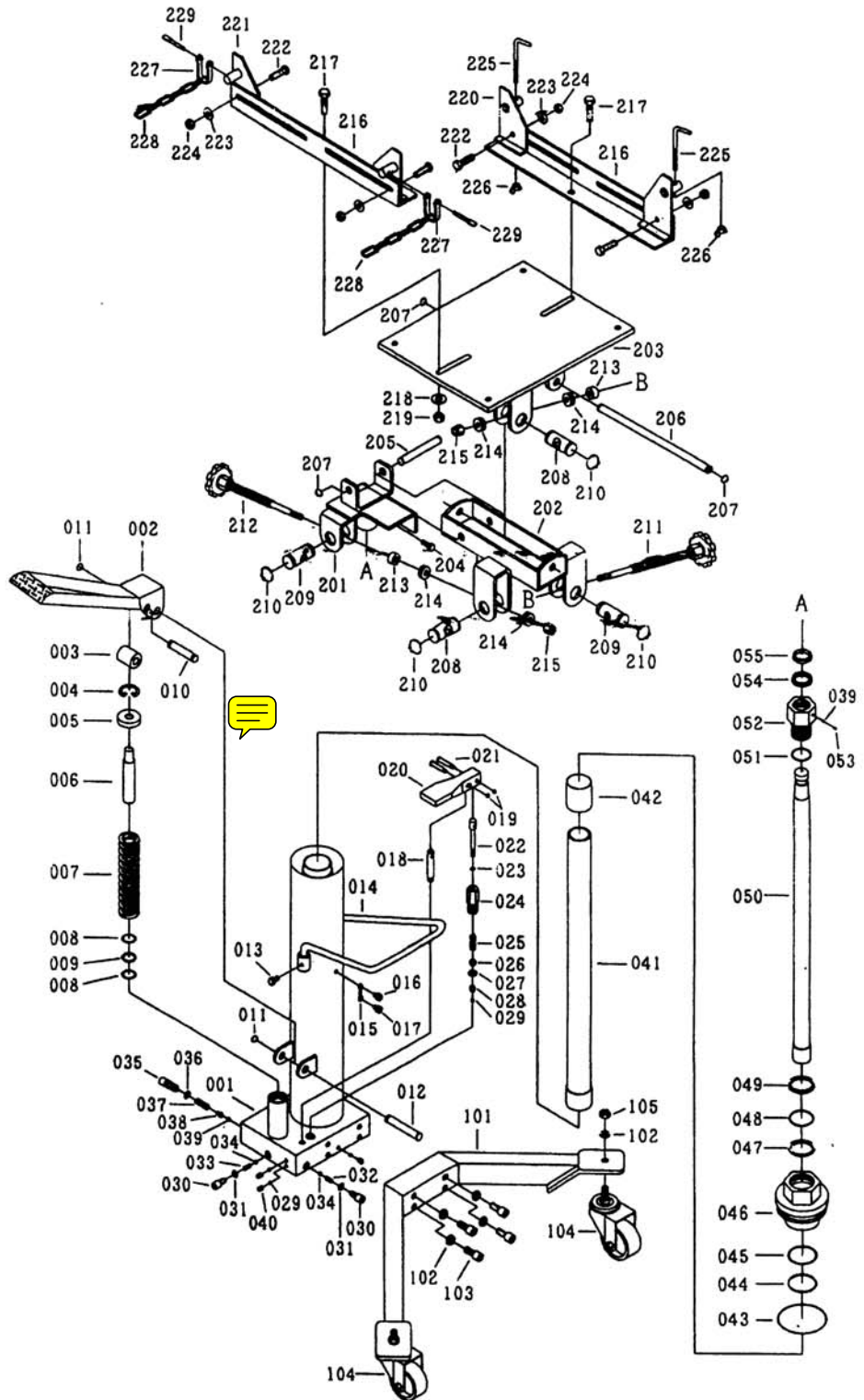


1/2 Ton Capacity Telescoping 500HWA Transmission Jack

REF. NO.	PARTS NO.	DESCRIPTION	QTY
001	B0026	Cylinder w/Base	1
002	B0027	Pedal	1
003	E0040	Bushing	1
004	10006	Retainer Ring	1
005	C0009	Spring Cover	1
006	E0041	Piston	1
007	J0012	Spring	1
008	G0040	O-Ring	2
009	G0041	Back-Up Ring	1
010	E0042	Pin	1
011	I0007	Snap Ring	2
012	E0043	Pin	1
013	H0021	Screw	2
014	E0044	Grip	1
015	G0064	O-Ring	1
016	H0005	Air Release Screw	1
017	H0032	Air Release Screw	1
018	E0045	Support	1
019	I0008	Snap Ring	2
020	C0010	Pedal	1
021	E0046	Pin	2
022	E0047	Release Stem	1
023	G0050	O-Ring	1
024	E0048	Release Valve	1
025	J0013	Spring	1
026	H0015	Nut	1
027	J0014	Brass Washer	1
028	E0049	Ball Guide	1
029	K0001	Check Ball	5
030	H0006	Valve Cover Screw	2
031	J0002	Brass Washer	2
032	J0015	Long Separator Spring	1
033	J0001	Short Separator Spring	1
034	K0003	Check ball	2
035	H0007	Overland Cover Screw	1
036	G0009	O-Ring	1
037	J0034	Overload Spring	1
038	E0006	Ball Guide	1
039	K0004	Ball Check	2
040	H0003	Set Screw	4
041	B0028	Main Piston	1
042	D0033	Bypass Bushing	1
043	G0042	O-Ring	1
044	G0043	O-Ring	1
045	G0044	Back-Up Ring	1
046	F0022	Top Cap	1
047	G0045	Cup Seal	1
048	G0102	O-Ring	1
049	G0046	Wiper	1
050	B0029	Main Piston	1
051	G0047	O-Ring	1
052	E0053	Top Cap	1
053	H0016	Set Screw	1
054	G0048	Cup Seal	1
055	G0049	Wiper	1
101	B0030	Legs	2
102	J0016	Spring Washer	12
103	H0017	Screw	8
104	B0165	Caster	4
105	H0020	Nut	4
201	B0220	Saddle Base 1	1
202	B0221	Saddle Base 2	1
203	B0222	Flat Plate	1
204	H0014	Screw	1
205	E0355	Pin	1
206	E0356	Pin	1
207	I0007	Snap Ring	4
208	E0350	Adjust Pin	2
209	E0351	Adjust Pin	2
210	I0015	Snap Ring	8
211	B0241	Angle Tilt Screw 1	1
212	B0284	Angle Tilt Screw 2	1
213	E0354	Tilt Screw Bushing	2
214	K0009	T-Bearing	4
215	H0098	Hex Nut	2
216	C0055	Saddle Angle 1	2
217	H0041	Screw	2
218	J0019	Washer	2
219	H0020	Nut	2
220	B0035	Saddle Angle 2	2
221	B0034	Saddle Angle 3	2
222	H0040	Screw	4
223	J0018	Washer	4
224	H0022	Nut	4
225	H0023	Hook Bolt	2
226	H0024	Wing Nut	2
227	C0019	Chain Connector	2
228	M0005	Chain	2
229	E0059	Connect Screw	2



For more information regarding the maintenance and use of this unit call: 1 - 800 - 820 - 7236