

PRIOR TO OPERATION

Air may become trapped in the hydraulic system during transit.

To purge air:

1. Open release valve by turning handle counterclockwise.
2. Pump handle rapidly 4 full strokes. This will expel air that may have entered hydraulic fluid passages during transit.
3. Close release valve by rotating handle clockwise and pump handle.
4. If lift arm raises to full height, jack is ready for use. If not, repeat this procedure or follow trouble shooting instructions provided.

MAINTENANCE AND INSPECTION

IMPORTANT: When adding or replacing hydraulic fluid, always use a quality hydraulic fluid. DO NOT use brake fluid, alcohol, glycerin, detergent motor oil, or dirty oil as improper fluid can cause serious internal damage to jack.

To add hydraulic fluid: With saddle fully lowered and jack on level ground, remove filler plug. The hydraulic fluid should just cover the surface of the internal cylinder visible through the hole. Do not overfill. Replace filler plug. If low, add hydraulic fluid as needed.

Maintenance and Inspection: The owner and/or user must maintain and inspect the jack in accordance with the manufacturer's instructions.

SPECIFICATIONS:

Capacity	(2T US ANSI) 1,814 kg Maximum
Minimum Height	89 mm
Maximum Height	498 mm
Length	673 mm
Chassis Width	330 mm
Handle Length	1270 mm
Saddle Diameter	114 mm
Net Weight	21.5 kg
Shipping Weight	23 kg



THIS OPERATING MANUAL CONTAINS IMPORTANT SAFETY INFORMATION. READ CAREFULLY AND UNDERSTAND ALL INFORMATION BEFORE OPERATING TOOL. SAVE THIS MANUAL FOR FUTURE USE.

THE CEALJ2T ALUMINUM SERVICE JACK CONFORMS TO:

- EN 1494:2000 STANDARDS
- ANSI/ASME PALD STANDARDS



WARNING

STUDY, UNDERSTAND AND FOLLOW ALL INSTRUCTIONS BEFORE OPERATING THIS DEVICE. DO NOT EXCEED RATED CAPACITY. USE ONLY ON HARD LEVEL SURFACES CAPABLE OF SUPPORTING THE LOAD.

THIS IS A LIFTING DEVICE ONLY. IMMEDIATELY AFTER LIFTING, SUPPORT THE VEHICLE WITH APPROPRIATE MEANS.

DO NOT MOVE OR DOLLY THE VEHICLE WHILE ON THE JACK. LIFT VEHICLE ONLY IN AREAS SPECIFIED BY THE VEHICLE MANUFACTURER.

NO ALTERATIONS SHALL BE MADE TO THIS PRODUCT.

DO NOT USE JACK IN ADVERSE OR EXTREME WEATHER CONDITIONS, IN STRONG MAGNETIC FIELDS, IN WINDY CONDITIONS, OR ON UNEVEN OR UNSTABLE GROUND.

USE OF FLOOR JACK NEAR STATIC ELECTRICITY IS NOT RECOMMENDED.

DO NOT HANDLE LOADS THAT MIGHT LEAD TO DANGEROUS SITUATIONS (FOR EXAMPLE: ACIDS, RADIOACTIVE MATERIAL, BRITTLE OR FRAGILE LOADS)

INSTRUCTIONS, SAFETY INFORMATION, AND SAFE OPERATING PROCEDURES MUST BE COMMUNICATED IN THE OWNER/OPERATOR'S NATIVE AND UNDERSTOOD LANGUAGE PRIOR TO AUTHORIZED USE. MAKE SURE THE OWNER/OPERATOR IS FULLY AWARE OF SAFE USE AND INHERENT DANGERS ASSOCIATED WITH THIS PRODUCT.

DISPOSE OF USED HYDRAULIC JACK OIL IN ACCORDANCE WITH LOCAL REGULATIONS.

CLEAR THE AREA OF BYSTANDERS, ESPECIALLY SMALL CHILDREN, TOOLS OR OTHER OBJECTS BEFORE USING.

LIFTING OF PEOPLE WITH THE FLOOR JACK IS PROHIBITED.

DO NOT USE FLOOR JACK IN DIRECT CONTACT WITH FOOD OR FOOD INGREDIENTS.

USE OF FLOOR JACK ON SEA VESSELS IS PROHIBITED.

INSPECT JACK PRIOR TO EACH USE. DO NOT ATTEMPT USE IF THE UNIT IS BROKEN, BENT, CRACKED, OR HAS MISSING AND/OR DAMAGED PARTS. REPLACE BROKEN, BENT, CRACKED, MISSING AND/OR DAMAGED PARTS, AND/OR MISSING LABELS, WARNINGS, AND/OR DECALS WITH FACTORY AUTHORIZED PARTS PRIOR TO USE.

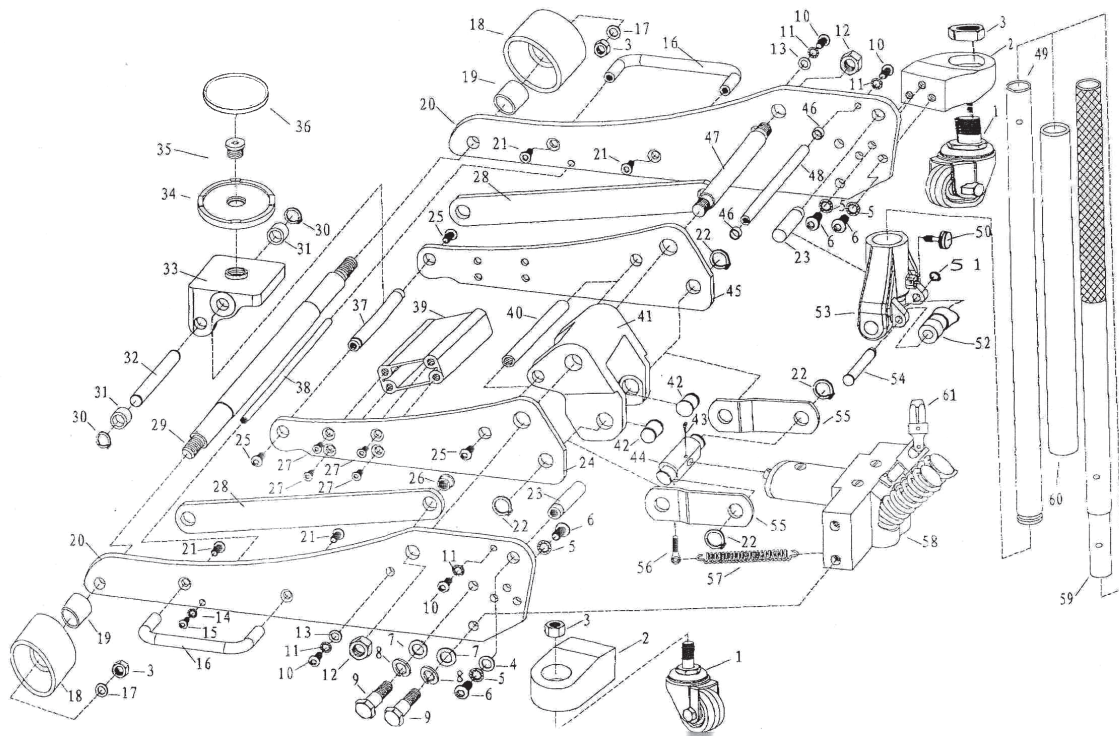
ANY JACK THAT APPEARS TO BE DAMAGED OR HAS WORN PARTS SHOULD BE REMOVED FROM SERVICE IMMEDIATELY.

FOR YOUR SAFETY AND TO PREVENT INJURY USE SERVICE JACK FOR LIFTING PURPOSES ONLY.

ALWAYS SUPPORT VEHICLE WITH JACK STANDS.

FAILURE TO HEED THESE WARNINGS MAY RESULT IN PERSONAL INJURY AND/OR PROPERTY DAMAGE.

REPLACEMENT PARTS



REF #	PART #	DESCRIPTION	QTY	REF #	PART #	DESCRIPTION	QTY
1	RS660201	Rear Caster (incl. #3)	2	32		Radius Linkage Axle	1
2		Rear Caster Bracket	2	33		Saddle Base	1
3	RS660203	Locking Nut M12	4	34	RS660234	Saddle	1
4		Washer M10	2	35		Saddle Bolt	1
5		Tooth Washer M10	8	36	RS660236COS	Rubber Saddle Pad	1
6		Bolt M10 x 25	8	37		CE Saddle Base Axle	1
7		Washer M14	4	38		Rod	1
8		Spring Washer M14	4	39		Lift Arm Core	1
9		Bolt	4	40		Axle, Lift Arm Mounting Plate	1
10		Bolt M8 x 20	4	41		Lift Arm Mounting Plate	1
11		Tooth Washer M8	4	42		Linkage Pin	2
12		Locking Nut M18	2	43		Pin 4 x 40	1
13		Washer M8	2	44		CE Linkage Block	1
14		Tooth Washer M6	2	45		Lift Arm Right Side Plate	1
15		Bolt M6 x 20	2	46		Rubber Guard 2	1
16	RS660216	Handle	2	47		CE Lift Arm Axle	1
17		Washer (included with #18)	2	48		Rod	1
18	RS660218	Front Wheel (includes 3, 17, 19)	2	49	RS660249	Lower Handle Section	1
19		Bushing (included with #18)	2	50	RS660250	Handle Set Screw	1
20		Side Plate	2	51		Retaining Ring 12 (included w/#53)	1
21	RS660221	Bolt M8 x 25	4	52		Pump Roller (included w/#53)	1
22		Retaining Ring 19	4	53	RS660253	Handle Yoke (includes #51-54)	1
23		Yoke axle	2	54		Pump Roller Axle (included w/ #53)	1
24		Lift Arm Left Side Plate	1	55		Linkage	2
25		Bolt M10 x 16	4	56		Bolt M6 x 25	2
26		CE Radius Linkage Axle Bolt	2	57		Lift Arm Return Spring	2
27		Bolt M8 x 22	8	58		Power Unit Assembly	1
28		CE Radius Linkage	2			Seal Kit for Power Unit	
29		Front Wheel Axle	1	59	RS660259	Upper Handle Section	1
30		Retaining Ring 18	2	60	RS660260COS	Handle Bumper	1
31		Link Rod Spacer	2	61	RS660261	Release Assembly	1

WARRANTY NOTICE

Warranty Policy — 1 Year

This service jack is covered under a 1 year warranty when used as recommended. Many parts are available, as shown in parts breakdown on page 3. For assistance with the operation or the availability of replacement parts, contact our Parts and Warranty Department at 1-800-879-7316. Please have available a copy of your receipt, the model number of the product, and specific details regarding your question.

WARRANTY INFORMATION

We want to know if you have any concerns with our products. If so, please call toll-free for immediate assistance. Please do not call the store where you purchased this product.

PowerStation, LLC
1-800-879-7316

Monday - Friday 9am to 5pm EST
 P.O. Box 1203, Travelers Rest, SC 29690

OWNER/USER RESPONSIBILITY

The owner and/or user must have a thorough understanding of the manufacturer's operating instructions and warnings before using the floor jack. Personnel involved in the use and operation of equipment shall be careful, competent, trained, and qualified in the safe operation of the equipment and its proper use when servicing motor vehicles and their components. Warning information should be emphasized and understood. If the operator is not fluent in English, the manufacturer's instructions and warnings shall be read to and discussed with the operator in the operator's native language by the purchaser/owner, making sure that the operator comprehends its contents. Owner and/or user must study and maintain for future reference the manufacturer's instructions and pertinent warning information. Owner and/or user is responsible for keeping all warning labels and instruction manuals legible and intact. Replacement labels and literature are available from the manufacturer.

LUBRICATION

All moving joints require lubrication on a regular maintenance schedule. Remove handle and grease the lower end of handle where it rotates in the handle socket. Grease all lift arm linkages, front wheels and rear casters.

OPERATING INSTRUCTIONS

- IMPORTANT:** Before attempting to raise a vehicle, check vehicle service manual for recommended lifting surfaces.
1. To raise load: Close release valve tightly (by turning handle clockwise). Position jack under load so that saddle will contact load firmly and load is centered so it cannot slip. Operate jack handle until saddle approaches the load. Once again check to see that saddle is correctly positioned. Raise load to desired height. Place jack stands of appropriate capacity under the vehicle. **DO NOT CRAWL UNDER VEHICLE WHILE LIFTING VEHICLE OR PLACING OR REMOVING JACK STANDS!** Place jack stands at vehicle manufacturer's recommended lift areas that provide stable support for the raised vehicle.
 2. To lower load: Open release valve **VERY SLOWLY** (by turning handle counterclockwise). When release valve is opened, saddle and load will be lowered. Lower the vehicle slowly so as not to shock load the jack stands. Once repairs are completed, raise vehicle enough to remove jack stands. Lower vehicle very slowly.

CAUTION: Keep hands or feet away from the hinge mechanism of the jack.

PROPER STORAGE

It is recommended that the jack be stored in a dry location with all wheels touching the ground on a relatively level surface.

PROBLEMS					SOLUTIONS
Jack will not lift load or leaks down excessively	Jack will not lift to its full height	Jack will not lower completely	Jack will not lift smoothly or jack feels spongy	Jack will not hold load or handle rises	
◆					The release valve is not closed. Turn the valve clockwise tightly. If this does not work, remove handle, lubricate handle receptacle and handle end, then retry.
◆	◆				Low on hydraulic fluid. Refill the jack to the correct level of hydraulic fluid.
◆					Pump seals or back-up ring may be defective. Clean hydraulic fluid passages, replace seals and refill hydraulic fluid. (Must be serviced by qualified service center)
	◆		◆		The hydraulic system has trapped air. Open the release valve, pump handle rapidly (4) full strokes to purge air, close release valve.
		◆			Return spring is broken or linkages are binding. Replace spring if broken. Grease pivot shaft and all lift arm linkages.
				◆	Discharge ball is not sealing hydraulic system and oil may be dirty. Manually flush hydraulic system. Open the release valve, as required, to raise and lower the lift arm. Manually raise and lower lift arm.