

WARNING INFORMATION



This is the safety alert symbol. It is used to alert you to potential personal injury hazards. Obey all safety messages that follow this symbol to avoid possible injury or death.



WARNING: Indicates a hazardous situation which, if not avoided, could result in death or serious injury.



IMPORTANT: READ THESE INSTRUCTIONS BEFORE OPERATING

BEFORE USING THIS DEVICE, READ THIS MANUAL COMPLETELY AND THOROUGHLY, UNDERSTAND ITS OPERATING PROCEDURES, SAFETY WARNINGS AND MAINTENANCE REQUIREMENTS.

It is the responsibility of the owner to make sure all personnel read this manual prior to using the device. It is also the responsibility of the device owner to keep this manual intact and in a convenient location for all to see and read. Contact Arcan[®] Professional Tools for a replacement label if your jack's label is not readable.

THE NATURE OF HAZARDOUS SITUATIONS



The use of Portable Automotive Lifting Devices are subject to certain hazards that cannot be prevented by mechanical means, but only by the exercise of intelligence, care, and common sense. It is essential to have personnel involved in the use and operation of the device who are careful, competent, trained, and qualified in the safe operation of the device and its proper use when servicing motor vehicles and their components. Examples of hazards are dropping, tipping or slipping of loads caused primarily by improperly securing loads, overloading, off-centered loads, use on other than hard level surfaces, and using equipment for a purpose for which it was not intended.

METHODS TO AVOID HAZARDOUS SITUATIONS



- Read, study, understand and follow all instructions before operating this device.
- Inspect the jack before each use. Do not use jack if damaged, altered, modified, in poor condition, leaking hydraulic fluid, or unstable due to loose or missing components. Make corrections before using.
- Lift only on areas of the vehicle as specified by the vehicle manufacturer.
- Wear eye protection that meets ANSI Z87.1 and OSHA standards (Users & Bystanders).
- Do not use jack beyond its rated capacity. Do not shock load.
- **This is a lifting device only. Immediately after lifting, support the vehicle with jack stands capable of sustaining the load before working on the vehicle.**
- Use only on a hard level surface capable of supporting load and free from obstructions so the jack is free to reposition itself during lifting and lowering operations.
- Center load on saddle. Be sure setup is stable before working on vehicle.
- Do not move or dolly the vehicle while on the jack.
- Do not use any materials that may serve as risers, spacers or extenders between the stock lifting saddle and the load.
- Do not use any adaptors that replace the stock lifting saddle unless approved or supplied by the jack manufacturer.
- Do not use (or modify) the product for any other purpose than that for which it was designed without consulting the manufacturer's authorized representative.
- Always lower the jack slowly and carefully.
- Failure to heed these warnings may result in fatal personal injury and/or property damage.



 **WARNING:** This product can expose you to chemicals including nickel, which is known to the State of California to cause cancer and birth defects or other reproductive harm. For more information go to www.P65Warnings.ca.gov.

CONSEQUENCES OF NOT AVOIDING HAZARDOUS SITUATIONS



Failure to read this manual completely and thoroughly, failure to understand its OPERATING INSTRUCTIONS, SAFETY WARNINGS, MAINTENANCE INSTRUCTIONS and comply with them, and failure to comply with the METHODS TO AVOID HAZARDOUS SITUATIONS could cause accidents resulting in serious or fatal personal injury and/or property damage.

OPERATING INSTRUCTIONS



This is the safety alert symbol used for the OPERATING INSTRUCTIONS section of this manual to alert you to potential personal injury hazards. Obey all instructions to avoid possible injury or death. **IMPORTANT:** Before attempting to raise any vehicle, check vehicle service manual for recommended lifting surfaces.

OPERATION

1. Put vehicle transmission in park or in gear and then apply the emergency brake.
To raise load: Turn the handle in a clockwise direction until tight. Position the jack under the load. Proceed to pump the handle in order to raise the lift arm to the load. As the saddle at the end of the lift arm gets closer to the load, reposition the jack so the saddle will contact the load firmly and the load is centered on the saddle. Make sure the saddle is correctly positioned. Raise the load to the desired work height. Place jack stands of appropriate capacity at the vehicle manufacturers's recommended support areas that provide stable support for the raised vehicle. **DO NOT CRAWL UNDER VEHICLE WHILE LIFTING VEHICLE OR PLACING OR REMOVING THE JACK STANDS!** Once jack stands are positioned, turn the jack handle VERY SLOWLY in a counterclockwise direction to lower the load to rest on the jack stands. Inspect the relationship between the jack stands and load to make sure the setup is stable and safe. If the setup is not stable or safe, follow the preceding steps until corrected.
2. **To lower load:** Follow the procedures mentioned in "To raise load" section of the OPERATING INSTRUCTIONS in order to raise the load off the jack stands. Once the load has cleared the jack stands, remove the jack stands from under the load and away from the work area. Turn handle very slowly in a counterclockwise direction until the load is completely lowered to the ground. Once the jack's lifting saddle has cleared the load, remove the jack from under the load. **CAUTION:** Keep hands and feet away from the hinge mechanism of the jack. **DO NOT CRAWL UNDER VEHICLE WHILE LIFTING VEHICLE OR PLACING OR REMOVING THE JACK STANDS!**

PREVENTATIVE MAINTENANCE



This is the safety alert symbol used for the PREVENTATIVE MAINTENANCE section of this manual to alert you to potential personal injury hazards. Obey all instructions to avoid possible injury or death.

1. Always store the jack in a well protected area where it will not be exposed to inclement weather, corrosive vapors, abrasive dust, or any other harmful elements. The jack must be cleaned of water, snow, sand, grit, oil, grease or other foreign matter before using.
2. The jack must be lubricated periodically in order to prevent premature wearing of parts. A general purpose grease must be applied to caster wheels, front axle, elevator arm, handle base pivot bolts, release mechanism and all other bearing surfaces. Worn parts resulting from inadequate or no lubrication are not eligible for warranty consideration. See page 4 for lubrication instructions.

IMPORTANT: In order to prevent seal damage and jack failure, never use alcohol, hydraulic brake fluid, or transmission oil in the jack. Use hydraulic jack oil, a light turbine oil, Chevron AW ISO 32 or Unocal Unax AW 150.

3. Every jack owner is responsible for keeping the jack labels clean and readable. Use a mild soap solution to wash external surfaces of the jack but not any moving hydraulic components.
4. Inspect the jack before each use. Do not use the jack if any component is cracked, broken, bent, shows sign of damage or leaks hydraulic fluid. Do not use the jack if it has loose or missing hardware or components, or is modified in any way. Take corrective action before using the jack again.

PROPER STORAGE

It is recommended that the jack be stored in a dry location with all wheels touching the ground on a relatively level surface.

TROUBLESHOOTING

Important: Service jacks are self-contained devices used for lifting, but not sustaining, a partial vehicular load. In accordance with ASME PASE-2019 Load Sustaining Test: "A load not less than the rated capacity...shall not lower more than 1/8" (3.18mm) in the first minute, nor a total of .1875" (4.76mm) in 10 minutes." Lowering within this range is considered normal operation and is NOT a warrantable defect.

| PROBLEM | ACTION |
|---|---|
| 1. Unit will not lift rated load. | Purge air from hydraulic system by following procedure under SETUP. |
| 2. Unit will not sustain rated load or feels "spongy" under rated load. | Purge air from hydraulic system as above. |
| 3. Unit will not lift to full height. | Purge air from hydraulic system as above. |
| 4. Unit will not lower completely. | Check oil level. Make sure hydraulic system is not overfilled. |
| 5. Handle tends to raise up while the unit is under rated load. | Pump the handle rapidly several times to push oil past ball valves in power unit. |
| 6. Unit still does not operate. | Contact customer service (page 6). |

HYDRAULIC MAINTENANCE GUIDE

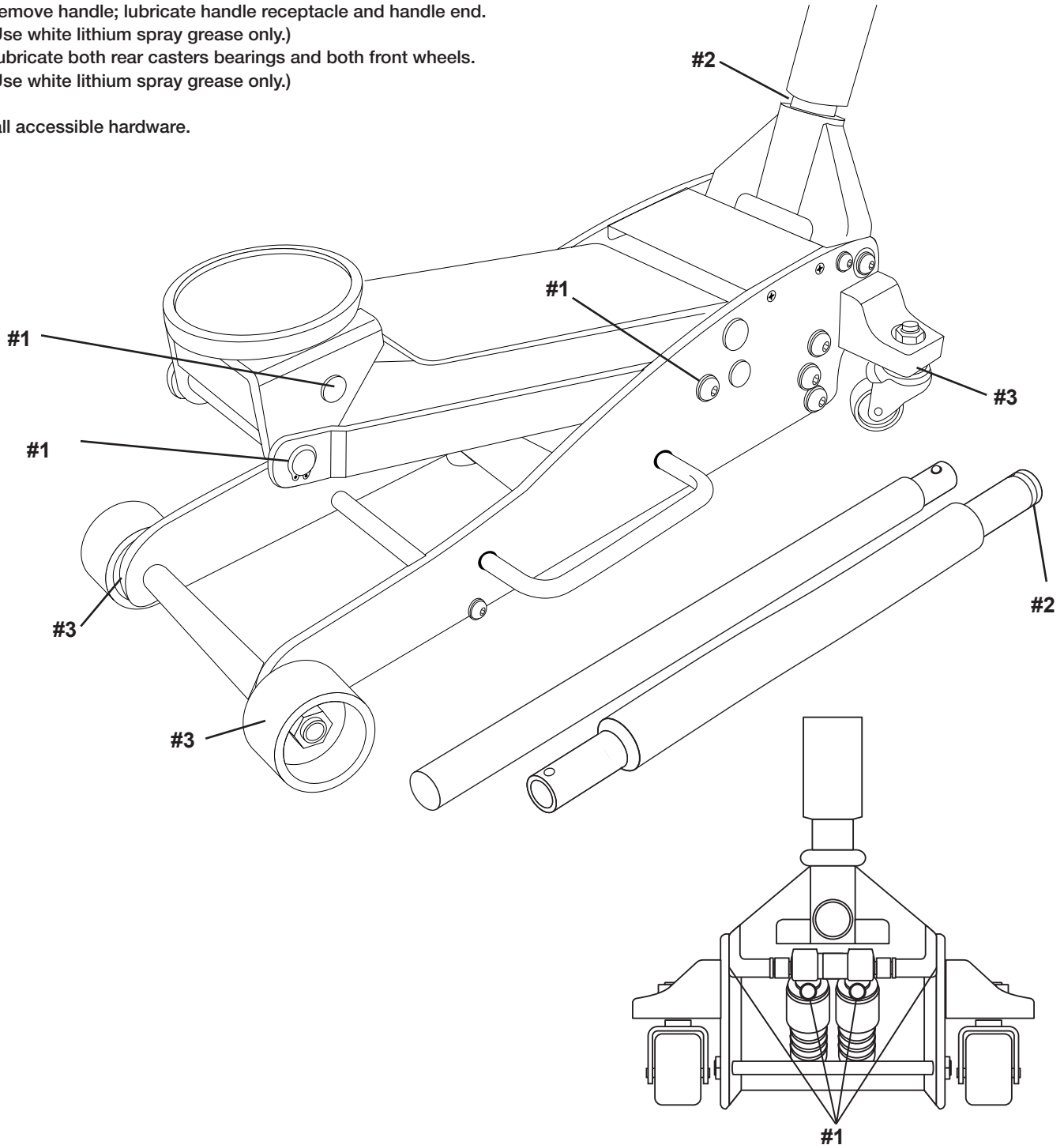
IMPORTANT: Service jacks are designed for lifting purposes only; always support raised load with jack stands.

REGULAR MAINTENANCE

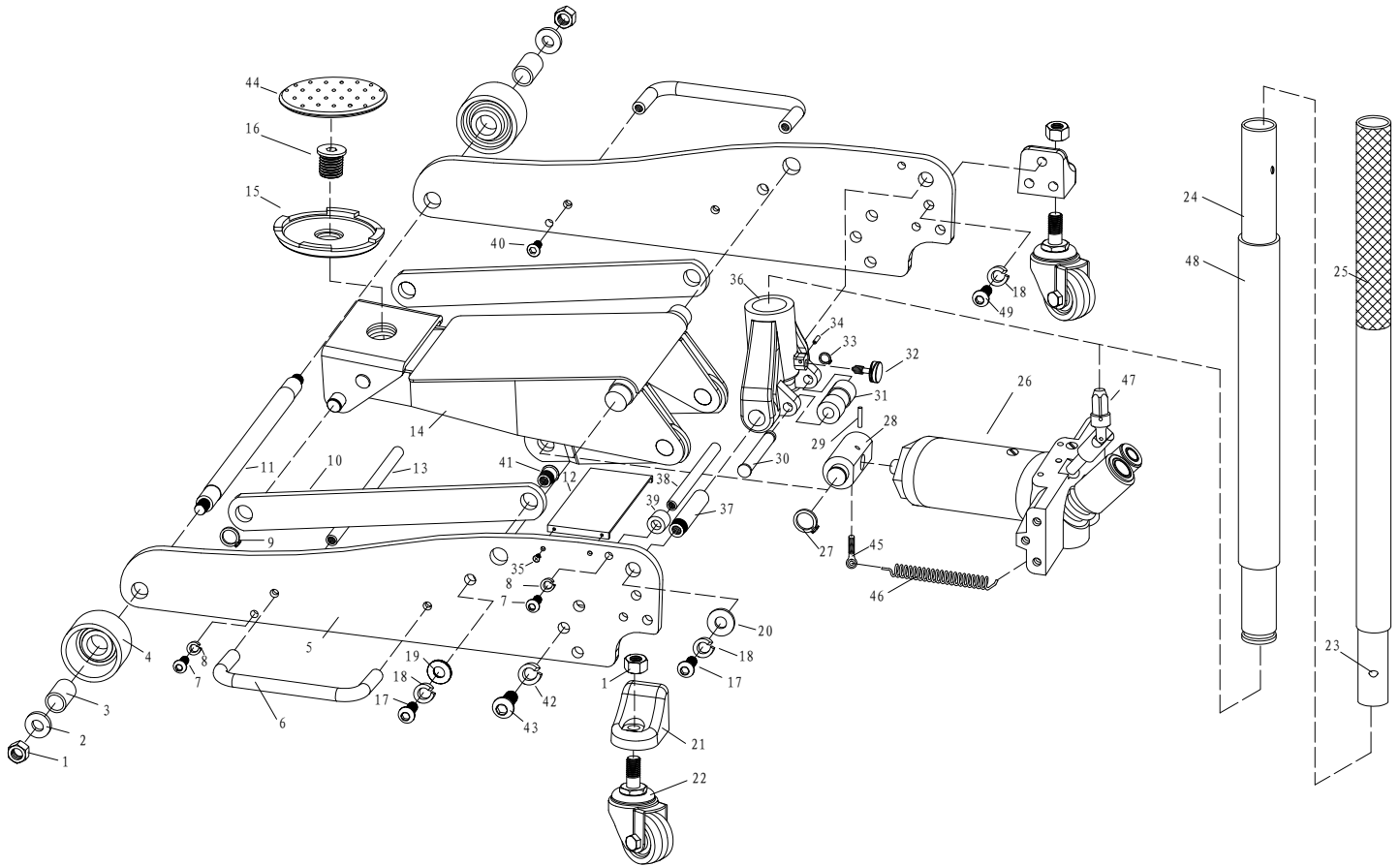
MONTHLY or as necessary (depending on usage)

- #1 Lubricate all linkages and pivot points.
(Use white lithium spray grease only.)
- #2 Remove handle; lubricate handle receptacle and handle end.
(Use white lithium spray grease only.)
- #3 Lubricate both rear casters bearings and both front wheels.
(Use white lithium spray grease only.)

Tighten all accessible hardware.



PARTS DRAWING AND PARTS LIST



| ITEM NO. | DESCRIPTION | PART NO. | QTY | ITEM NO. | DESCRIPTION | PART NO. | QTY |
|----------|-------------|----------------------|-----|-----------|-------------|---------------------------|-----|
| 1 | | Locking Nut M12 | 4 | 26 | RSHJ300026 | Hydraulic Power Unit Assy | 1 |
| 2 | | Flat Washer 20 | 2 | 27 | | Retaining Ring 20 | 2 |
| 3 | | Front Wheel Bushing | 2 | 28 | | Trunion | 1 |
| 4 | RS35T03SLV | Front Wheel | 2 | 29 | | Pin 4x40 | 1 |
| 5 | | Side Plate | 2 | 30 | | Roller Bolt | 1 |
| 6 | | Carrying Handle | 2 | 31 | | Roller | 1 |
| 7 | | Screw M8x25 | 4 | 32 | RS35T13 | Handle Yoke Screw | 1 |
| 8 | | Washer 8 | 4 | 33 | | Retaining Ring 12 | 1 |
| 9 | RS35T04 | Retaining Ring 16 | 2 | 34 | | Spring Pin 3x14 | 1 |
| 10 | | Long Linkage | 2 | 35 | | Screw M5x16 | 4 |
| 11 | | Front Wheel Axle | 1 | 36 | RS35T11SLV | Handle Yoke | 1 |
| 12 | | Covering Plate | 1 | 37 | | Handle Yoke Bolt | 2 |
| 13 | | Spacer Bar | 1 | 38 | | Stop Rod | 1 |
| 14 | | Lift Arm Assembly | 1 | 39 | | Rubber Guard | 2 |
| 15 | RS35T05ASLV | Saddle | 1 | 40 | | Screw 8x25 | 4 |
| 16 | RS35T05 | Saddle screw | 1 | 41 | | Linkage Bolt | 2 |
| 17 | | Screw M10x20 | 4 | 42 | | Spring Washer 12 | 6 |
| 18 | | Tooth Washer 10 | 10 | 43 | | Screw M12x25 | 6 |
| 19 | | Flat Washer 10 | 2 | 44 | RS35T05B | 4" Saddle Pad | 1 |
| 20 | | Flat Washer 10 | 2 | 45 | | Trunion Screw | 1 |
| 21 | | Rear Caster Bracket | 2 | 46 | RS35T19 | Return Spring | 2 |
| 22 | RS35T22SLV | Rear Caster Assembly | 2 | 47 | RS35T18 | Release Valve Assembly | 1 |
| 23 | RS1300216 | Spring Detent | 1 | 48 | RS35T20NL | Handle Bumper | 1 |
| 24 | RS35T24SLV | Lower Handle | 1 | 49 | | Screw 10x25 | 6 |
| 25 | RS35T25SLV | Upper Handle | 1 | not shown | RSA20001PLK | Product Label Kit | |



Model A2001
3 Ton Aluminum-Steel Hybrid Jack
 For Technical Questions, Call: 1-800-879-7316

SPECIFICATIONS

| | |
|----------------------|---|
| Capacity: | 3 Ton (2,721 kgs.) |
| Minimum Lift Height: | 4 in. (101.6 mm) |
| Maximum Lift Height: | 18.5 in. (470 mm) |
| Lifting Range: | 14.5 in. (369 mm) |
| Caster Wheel Size: | 1.77 in. x .9 in. (45 mm x 23 mm) |
| Front Wheel Size: | 2.56 in. x 1.57 in. (65 mm x 40 mm) |
| Saddle Diameter: | 4.57 in. (116 mm) |
| Handle Length: | 45.16 in. (1147 mm) |
| Dimensions: | 23.3 in. x 11.9 in. x 6 in. (592 mm x 302 mm x 152 mm) |
| Net Weight: | 58.08 lbs. (26.4 kgs.) |

LIMITED WARRANTY

ARCAN® PROFESSIONAL TOOLS WARRANTS TO ITS CUSTOMERS THAT THE COMPANY'S ARCAN® PROFESSIONAL TOOLS BRANDED PRODUCTS ARE FREE FROM DEFECTS IN WORKMANSHIP AND MATERIALS.

Arcan® Professional Tools will repair or replace its Arcan® Professional Tools branded products which fail to give satisfactory service due to defective workmanship or materials, based upon the terms and conditions of the following described warranty plans attributed to that specific product. This product carries a ONE-YEAR warranty. During this warranty period, Arcan® Professional Tools will repair or replace at our option any part or unit which proves to be defective in material or workmanship.

Other important warranty information:

This warranty does not cover damage to equipment or tools arising from alteration, abuse, misuse, damage and does not cover any repairs or replacement made by anyone other than Arcan® Professional Tools. The foregoing obligation is Arcan® Professional Tools' sole liability under this or any implied warranty and under no circumstances shall we be liable for any incidental or consequential damages.

Note: Some states do not allow the exclusion or limitation of incidental or consequential damages, so the above limitation or exclusion may not apply to you. If you have any questions about warranty service, please contact Arcan® Professional Tools. This warranty gives you specific legal rights and you may also have other rights which vary from state to state.

1-800-879-7316

Monday - Friday 8:30am to 5:30pm EST
 P.O. Box 1203
 Travelers Rest, South Carolina 29690