

### WARNING INFORMATION



This is the safety alert symbol. It is used to alert you to potential personal injury hazards. Obey all safety messages that follow this symbol to avoid possible injury or death.



The DANGER! safety symbol indicates a hazard or unsafe practice that will result in serious injury or death.



### IMPORTANT: READ THESE INSTRUCTIONS BEFORE OPERATING

BEFORE USING THIS DEVICE, READ THIS MANUAL AND THE LABELS ON THE JACK COMPLETELY AND THOROUGHLY UNDERSTAND ITS OPERATING PROCEDURES, SAFETY WARNINGS AND MAINTENANCE REQUIREMENTS.

### OWNER/USER RESPONSIBILITY

It is the responsibility of the owner to make sure all personnel intending to use this device to read this manual and the device labels prior to use. It is also the responsibility of the device owner to keep this manual intact and in a convenient location for all to see and read. If the manual or product labels are lost or not legible, contact the manufacturer for replacements. If the operator is not fluent in English, the product and safety instructions shall be read to and discussed with the operator in the operator's native language by the purchaser/owner or his designee, making sure that the operator comprehends its contents.

### THE NATURE OF HAZARDOUS SITUATIONS



The use of this Farm Jack is subject to certain hazards that cannot be prevented by mechanical means, but only by the exercise of intelligence, care, and common sense. It is therefore essential to have owners and personnel involved in the use and operation of the equipment who are careful, competent, trained, and qualified in the safe operation of the equipment and its proper use. Examples of hazards are dropping, tipping or slipping of loads caused primarily by improperly secured loads, overloading, off-centered loads, and using equipment for a purpose for which it was not designed.

### METHODS TO AVOID HAZARDOUS SITUATIONS



- Failure to heed these markings may result in serious injury or death.



- Inspect the jack before each use to make sure all hardware is included, secured, no damage to any components and is properly lubricated.
- Do not allow bystanders around the jack or under the load supported only by the jack.
- Do not use jack beyond its rated capacity.
- Support load with appropriate means immediately after lifting.
- Always securely chock and stabilize the load to be lifted. Never place any part of the body under a raised load without properly chocking and supporting the load.
- Do not use the jack on any curved or tubular surface that will slip off the jack's saddle.
- When using the jack as a winch always use chains or tow straps that have a greater load capacity than the jack.
- When using the jack as a winch do not exceed 5,000 lbs. of line pull or the top bracket will bend or break.
- When using the jack for clamping, do not exceed 750 lbs. of force on the top bracket or it will bend or break.
- Always keep your head away from the jack handle path of movement.
- Before activating the reversing latch, always place the handle against the steel standard bar with the handle clip spring engaged with the bar to prevent handle from moving up and down rapidly. Hold on to the jack handle so it is never in the horizontal position when activating the reversing latch.
- Never remove your hands from the jack's handle when lifting or lowering a load.
- When raising a vehicle's tire off the ground never raise it more than 2" and only one tire at a time.
- Never allow the jack to stand vertical and unsupported. Lay it on its side when not in use.
- No alterations shall be made to this product.
- The operation and safety of this jack depends on proper lubrication.



**WARNING:** This product can expose you to chemicals including nickel, which is known to the State of California to cause cancer and birth defects or other reproductive harm. For more information go to [www.P65Warnings.ca.gov](http://www.P65Warnings.ca.gov).

### CONSEQUENCES OF NOT AVOIDING HAZARDOUS SITUATIONS



Failure to read this manual and jack labels completely and thoroughly and failure to understand its OPERATING INSTRUCTIONS, SAFETY WARNINGS, MAINTENANCE INSTRUCTIONS and comply with them, and neglecting the METHODS TO AVOID HAZARDOUS SITUATIONS could cause accidents resulting in serious or fatal personal injury and/or property damage.



**Model ALFJ48 and ALFJ60**  
48" Farm Jack / 60" Farm Jack  
For Technical Questions, Call: 1-800-879-7316

## OWNER'S MANUAL

### INSPECTION

Visual inspection should be made before each use of the Farm Jack, checking for damaged, bent, cracked, loose or missing parts. A jack **MUST BE REMOVED FROM SERVICE** if accidentally subjected to an abnormal load or shock and does not meet original construction specifications. Any jack which appears to be damaged in any way, found to be badly worn, or operates abnormally **MUST BE REMOVED FROM SERVICE** until necessary repairs are made.

### OPERATING INSTRUCTIONS

#### RAISING A STATIONARY LOAD:

1. Securely chock and stabilize the wheels not being lifted to prevent rolling or shifting.
2. Position the jack's base on a firm, level and dry surface with the standard vertical.
3. Pull up the reversing latch until it locks in the up position.
4. Pull the handle away from the standard and lift the handle or handle socket until the jack's saddle is securely positioned under the load.
5. Use two hands to activate the jack to raise the load to the desired height. The load will raise on every down stroke of the handle. Stop lifting the load if the load or jack become unstable. Readjust the setup to prevent the unstable condition and recheck the wheels. **Never use an extension on the handle.**
6. When the load is at the desired height, place the handle up against the standard until the handle clip spring engages the standard.
7. After lifting immediately position jacks stands under the load and follow directions under Lowering a Stationary Load. **Do not attempt to go under a load if it is not supported by jack stands or adequate means.**

#### LOWERING A STATIONARY LOAD:

1. **Always keep your head away from the jack handle path of movement.**
2. Make sure the handle is up against the standard and the handle clip spring engages the standard.
3. While holding the handle up against the standard push the reversing latch down until it is engaged. Do not allow the handle to come away from the standard before the reversing latch is engaged in the down position. This will prevent the handle from moving up and down rapidly.
4. Activate and never remove your hands from the handle during lifting or lowering operations.
5. **Do not attempt to go under a load if it is not supported by jack stands or adequate means.**
6. The jack must be subjected to at least 150 lbs. of load to lower step by step otherwise the jack's saddle will slide down to the base and drop the load.
7. Activate the handle with two hands until the load is safely supported by the jack stands.
8. When the work or repair is finished follow directions under Raising a Stationary Load to lift the load off the jack stands. Remove the jacks stands and follow directions under Lowering of Stationary Load to lower the load down to the ground.

#### CLAMPING:

1. When using the jack for clamping, do not exceed 750 lbs. of force on the clamp/winch bracket or it will bend or break and possibly cause injury or death.
2. Loosen the clamp/winch bracket bolt and turn the bracket so that it is 90° to the standard and then tighten the bolt. The clamp/winch bracket can be positioned in any location on the standard.
3. Operate the jack as directed in the section titled Raising a Stationary Load.

#### WINCHING:

1. Use chains or tow straps that are rated higher than the capacity of the jack. Broken chains or straps can cause load to shift and snap back causing injury or death.
2. When using the jack for winching do not exceed 5,000 lbs. of force on the clamp/winch bracket or it will bend or break and possibly cause injury or death.
3. Loosen the clamp/winch bracket bolt and turn the bracket so that it is in line with the standard and then tighten the bolt.
4. Securely attach one end of a chain or tow strap to the object to be winched. Securely attach the other end of the chain or tow strap to the clamp/winch bracket. Use a shackle if the chain or tow strap will not fit through the clamp/winch bracket.
5. Securely attach another chain or tow strap to a fixed, stable object. Securely attach the other end of the chain or tow strap to the jack's saddle.
6. Operate the jack as directed in the section titled Raising a Stationary Load.



**Model ALFJ48 and ALFJ60**  
**48" Farm Jack / 60" Farm Jack**  
 For Technical Questions, Call: 1-800-879-7316

**OWNER'S MANUAL**

**MAINTENANCE INSTRUCTIONS**

**NEVER PERFORM MAINTENANCE ON THE JACK WHILE UNDER LOAD.**

**CLEANING:**

Use a non-flammable cleaning solvent or degreaser on the jack and clean with air pressure, water pressure, or a stiff brush. Remove any rust with a penetrating lubricant.

**BINDING:**

The optimal performance of this jack depends on proper lubrication. After cleaning use a light penetrating oil, silicon or Teflon spray on the front and back edges of the standard, climbing pins, Pitman pin, shear bolt and springs. **IMPORTANT:** Do not use motor oil or grease to lubricate jack.

**SPECIFICATIONS**

	<b>ALFJ48</b>	<b>ALFJ60</b>
Capacity:	3 Ton (2,721 kgs.)	3 Ton (2,721 kgs.)
Minimum Lift Height:	4.9 in. (125 mm)	4.9 in. (125 mm)
Maximum Lift Height:	40.1 in. (1020 mm)	52.3 in. (1330 mm)
Lifting Range:	35.2 in. (894 mm)	47.4 in. (1204 mm)
Saddle Size:	4.5 in. x 1.5 in. (114 mm x 38 mm)	4.5 in. x 1.5 in. (114 mm x 38 mm)
Base Size:	7.1 in. x 4 in. (180 mm x 101 mm)	7.1 in. x 4 in. (180 mm x 101 mm)
Handle Length:	30.25 in. (768 mm)	30.25 in. (768 mm)
Dimensions:	48 in. x 10.5 in. x 4 in. (1219 mm x 267 mm x 101.6 mm)	60 in. x 10.5 in. x 4 in. (1524 mm x 267 mm x 101.6 mm)
Net Weight:	30.8 lbs. (14 kgs.)	32.1 lbs. (14.6 kgs.)

**LIMITED WARRANTY**

**ARCAN® PROFESSIONAL TOOLS WARRANTS TO ITS CUSTOMERS THAT THE COMPANY'S ARCAN® PROFESSIONAL TOOLS BRANDED PRODUCTS ARE FREE FROM DEFECTS IN WORKMANSHIP AND MATERIALS.**

Arcan® Professional Tools will repair or replace its Arcan® Professional Tools branded products which fail to give satisfactory service due to defective workmanship or materials, based upon the terms and conditions of the following described warranty plans attributed to that specific product. This product carries a ONE-YEAR warranty. During this warranty period, Arcan® Professional Tools will repair or replace at our option any part or unit which proves to be defective in material or workmanship.

**Other important warranty information:**

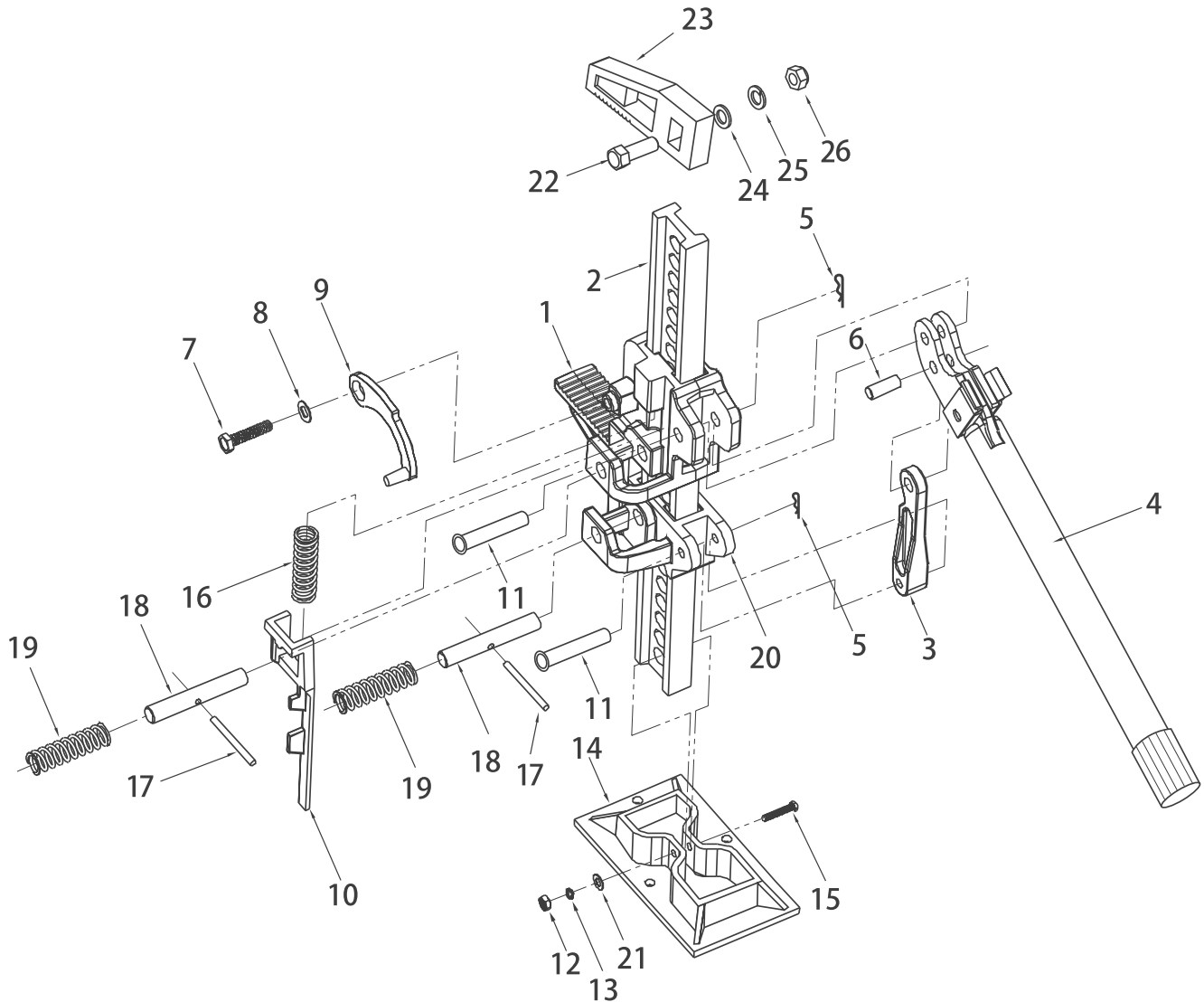
This warranty does not cover damage to equipment or tools arising from alteration, abuse, misuse, damage and does not cover any repairs or replacement made by anyone other than Arcan® Professional Tools. The foregoing obligation is Arcan® Professional Tools' sole liability under this or any implied warranty and under no circumstances shall we be liable for any incidental or consequential damages.

**Note:** Some states do not allow the exclusion or limitation of incidental or consequential damages, so the above limitation or exclusion may not apply to you. If you have any questions about warranty service, please contact Arcan® Professional Tools. This warranty gives you specific legal rights and you may also have other rights which vary from state to state.

**1-800-879-7316**

Monday - Friday 8:30am to 5:30pm EST  
 P.O. Box 1203  
 Travelers Rest, South Carolina 29690

**PARTS DRAWING AND PARTS LIST**



Ref No.	Part No.	Description	Qty	Ref No.	Part No.	Description	Qty
1		Lifting Arm	1	18	RS48011	Reverse Rod	2
2		Steel Rail	1	19	RS48012	Spring	2
3		Connecting Rod	1	20		Small Runner	1
4		Handle Assembly	1	21		Flat Washer	1
5	RS48001	R-Clip	2	22		Screw	1
6		Pin	1	23		Stop Block	1
7	RS48003	Screw	1	24		Flat Washer	1
8	RS48004	Washer	1	25		Spring Washer	1
9	RS48005	Reversing Lever - Silver	1	26		Nut	1
10	RS48007	Reversing Latch - Silver	1				
11	RS48008	Pin	2				
12		Nut	1				
13		Spring Washer	1				
14		Base	1				
15		Bolt	1				
16	RS48009	Spring	1				
17	RS48010	Reverse Rod Pin	2				

*Product Label Kit RSALFJ48PLK (ALFJ48) and RSALFJ60PLK (ALFJ60)  
 Only items identified by part number are available separately.*