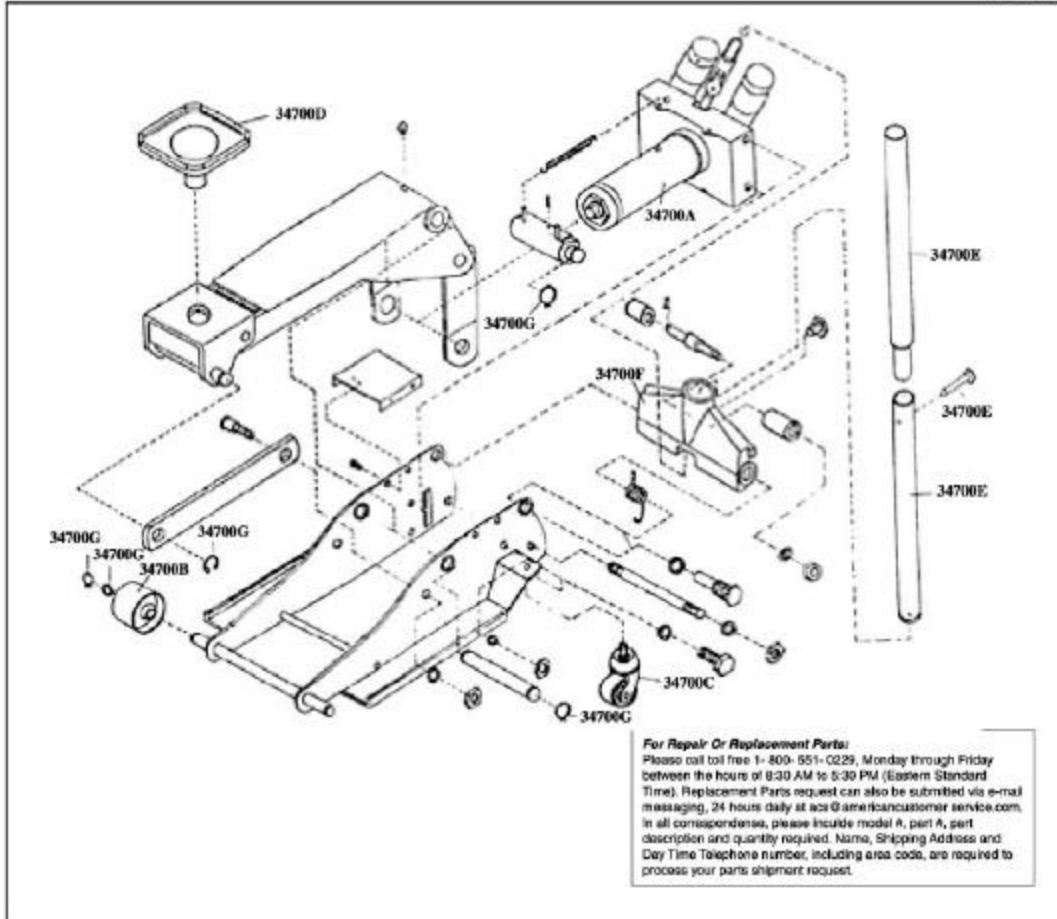




**3 1/2 Ton
Heavy Duty Garage Jack
Model 34700
Replacing Parts List**



For Repair Or Replacement Parts:
Please call toll free 1-800-551-0229, Monday through Friday between the hours of 8:30 AM to 5:30 PM (Eastern Standard Time). Replacement Parts request can also be submitted via e-mail messaging, 24 hours daily at acd@americascustomer-service.com. In all correspondence, please include model #, part #, part description and quantity required. Name, Shipping Address and Day Time Telephone number, including area code, are required to process your parts shipment request.

PARTS LIST

★ Service Kit ■ Wheel Kit
▲ Available Part (Each) ○ Caster Kit

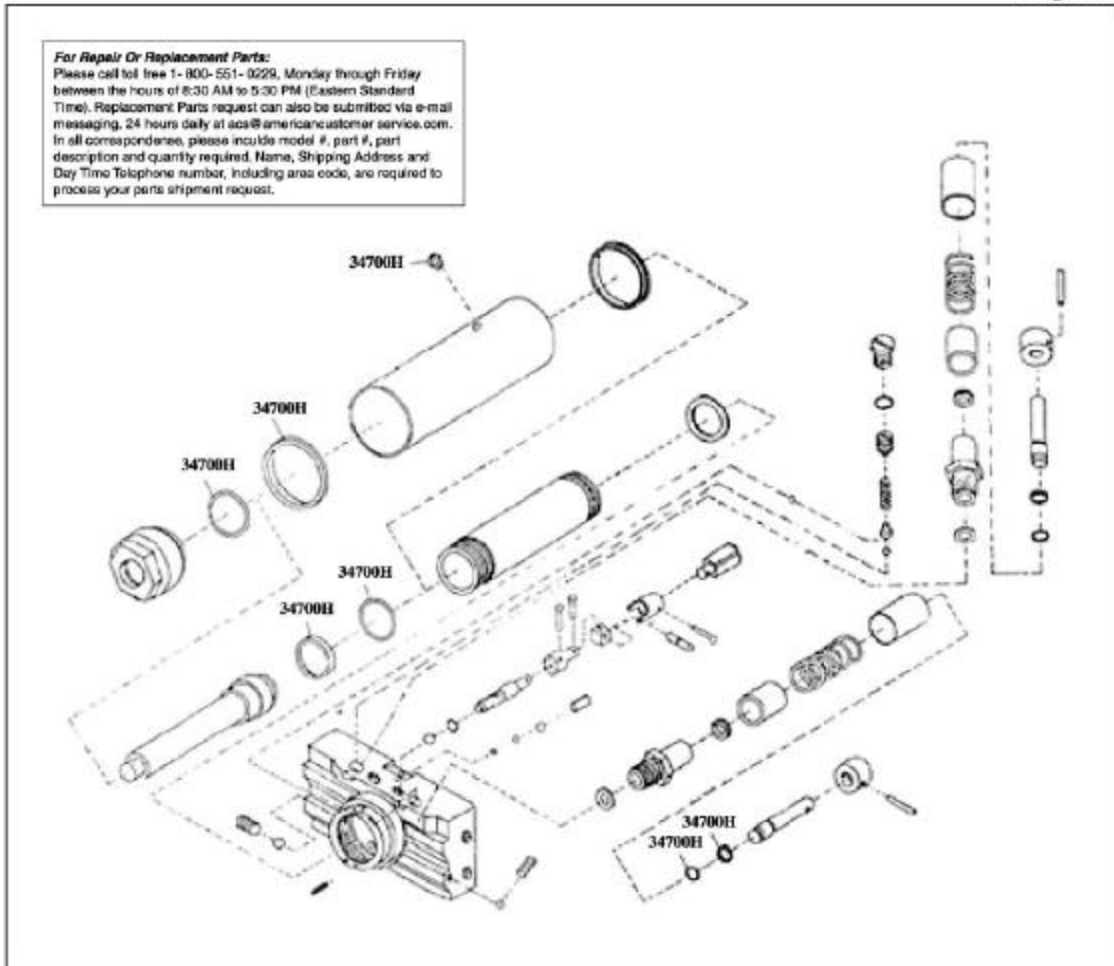
PART NO.	DESCRIPTION	Q'TY	
34700-A	POWER UNIT ASSEMBLY	1	▲
34700-B	FRONT WHEEL	2	■
34700-C	REAR CASTER ASSEMBLY	2	○
34700-D	SADDLE KIT	1	▲
34700-E	HANDLE LEVER "A"	1	▲
	BOLT M6 X 35	1	▲
	HAND LEVER "B"	1	▲

PART NO.	DESCRIPTION	Q'TY	
34700-F	HANDLE YOKE	1	▲
34700-G	RETAINING RUNG Ø 20	2	★
	WASHER	2	★
	RETAINING RING M15	2	★
	RETAINING RING M25	2	★
	RETAINING RING M25	2	★



**3 1/2 Ton
Heavy Duty Garage Jack
Model 34700**
Replacing Parts List

For Repair Or Replacement Parts:
Please call toll free 1-800-551-0229, Monday through Friday between the hours of 8:30 AM to 5:30 PM (Eastern Standard Time). Replacement Parts request can also be submitted via e-mail messaging, 24 hours daily at aca@americascustomer-service.com. In all correspondence, please include model #, part #, part description and quantity required. Name, Shipping Address and Day Time Telephone number, including area code, are required to process your parts shipment request.



PARTS LIST

Seal Kit

PART NO.	DESCRIPTION	Q'TY	
34700H	"O" RING	1	<input type="checkbox"/>
	"O" RING	2	<input type="checkbox"/>
	OIL FILL PLUG	1	<input type="checkbox"/>
	O-RING RETAINER	1	<input type="checkbox"/>

PART NO.	DESCRIPTION	Q'TY	
34700H	"O" RING	1	<input type="checkbox"/>
	"O" RING	1	<input type="checkbox"/>
	RETAINING RING	1	<input type="checkbox"/>