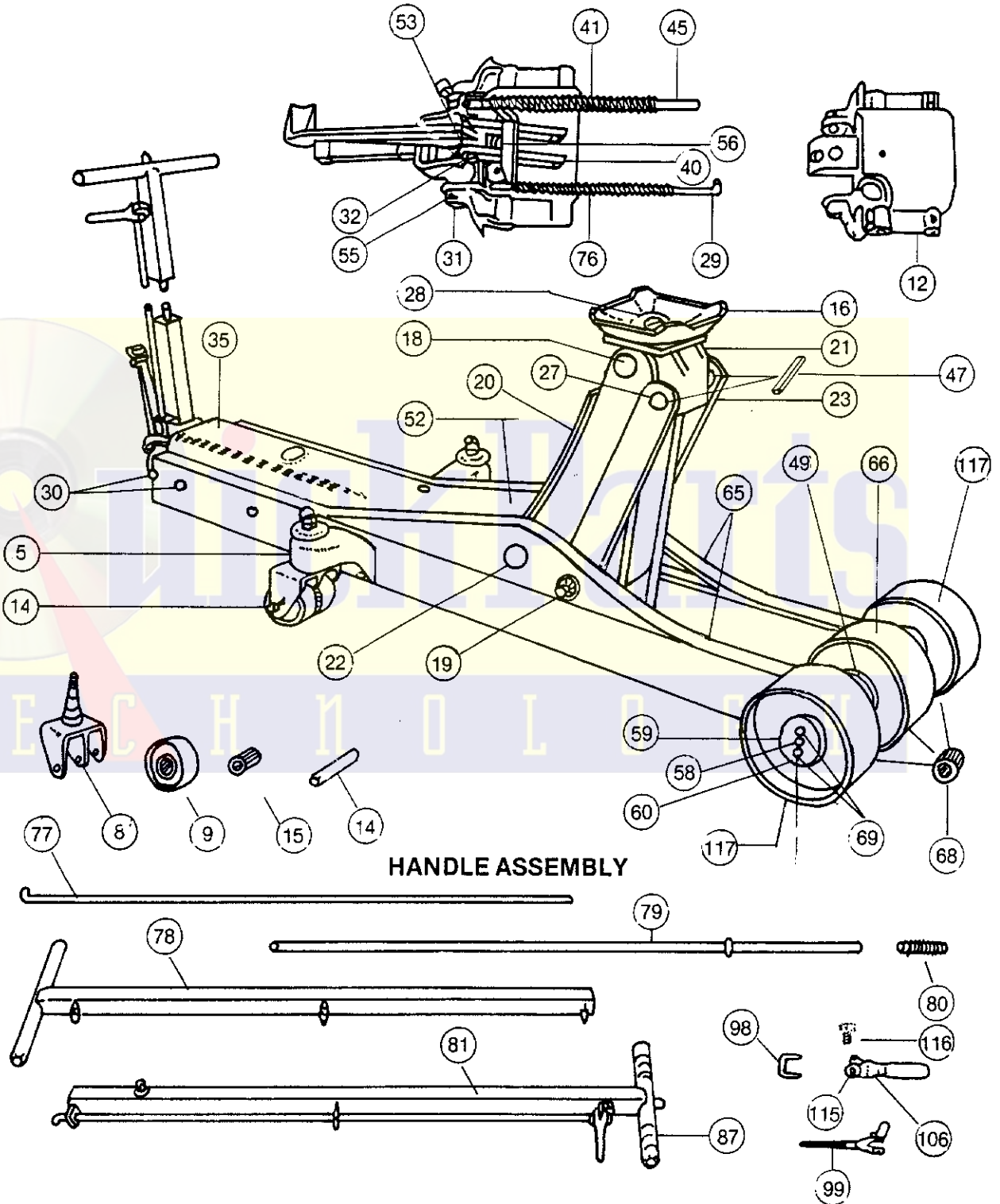


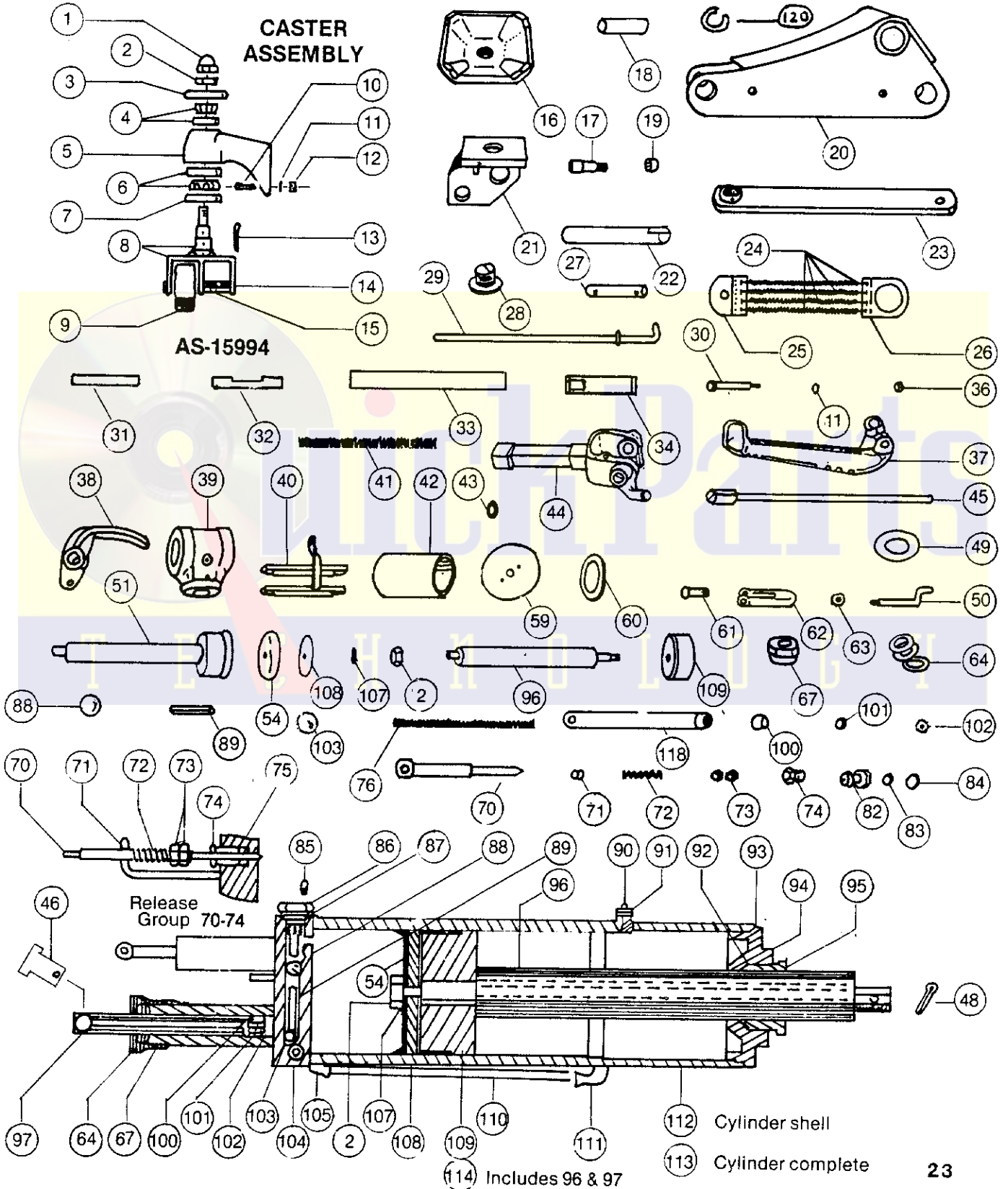
Parts List
WA-85 WEAVER SUPER-GIANT LO-HI-DRAULIC JACK (20 TON)
 Order All Parts by Number

FRAME AND LIFTING ARM ASSEMBLIES



WA-85 WEAVER SUPER-GIANT LO-HI-DRAULIC JACK — Continued

MISCELLANEOUS CASTINGS AND STEEL PARTS
CUP LEATHERS, PACKING, GASKETS AND FOLLOWERS



WA-85 Repair Parts List

Item No.	Part No.	Description	Item No.	Part No.	Description
1.	S-6605	Acorn Nut	61.	S-4710	Release Lever Pin
2.	S-2232	Jam Nut	62.	S-5123	Release Yoke
3.	S-24650	Bearing Cap	63.	S-1863	5/16-24 Jam Nut
4.	AS-15814	Upper Bearing Assembly	64.	S-7412	Packing
5.	M-2028	Caster Bracket	65.	AS-15930	Frame Assembly
6.	AS-15815	Lower Bearing Assembly	66.	AS-16037	Center Wheel
7.	S-15429	Bearing Retainer	67.	M-1167	Packing Nut
8.	AS-15957	Caster Assembly	68.	S-11103	Front Roller Bearing
9.	M-1152	Caster Wheel	69.	S-1877	1/4 x 3/4 Cap Screw, Hx. Hd.
10.	S-4594	Hex screw 1/2 x 2-1/2	70.	S-21050	Release Valve
11.	S-1571	1/2 Lockwasher	71.	S-5173	Valve Guide
12.	S-9522	1/2 Nut	72.	S-2591	Release Spring
13.	S-293	Cotter Pin	73.	S-1934	Lock Nut 3/8
14.	S-15971	Caster Axle	74.	S-5176	Release Packing Nut
15.	S-15398	Bearing	75.	AS-21052	Packing House Assembly
16.	M-2043	Saddle	76.	S-9786	Comp. Spring
17.	S-15975	Shoulder Bolt	77.	S-5261	Release Rod
18.	S-15973	Saddle Bracket Pin	78.	AS-6660	Handle Shell
19.	S-15987	Castle Nut	79.	AS-6550	Lock Rod
20.	AS-15944	Lifting Arm	80.	S-2329	Lock Rod Return Spring
21.	AS-15950	Saddle Bracket	81.	AS-6545	Handle Assembly
22.	S-15974	Lift Arm Pin	82.	S-21051	O-Ring Housing
23.	AS-15954	Par. Link	83.	S-15047	O-Ring
24.	S-16061	Lift Arm Spring	84.	S-17829	O-Ring
25.	S-16059	Spring Retainer	85.	S-1805	Pipe Plug
26.	S-16058	Spring Retainer	86.	S-16196	Ball Chamber Plug
27.	S-15972	Par. Link Pin	87.	S-20886	Handle Grip
28.	S-16098	Saddle Screw	88.	S-5122	5/8 Ball
29.	S-27384	Spring Rod	89.	S-5355	Ball Weight
30.	S-7394	Tiecasting Bolt	90.	S-7026	Vent Plug
31.	S-6551	Tiecasting Pin	91.	S-5178	Pipe Plug
32.	S-6552	Foot Pedal Pin	92.	S-16022	Piston Packing
33.	S-15978	Axle	93.	S-22964	Cylinder Cap Gasket
34.	S-15976	Crosshead Pin	94.	M-2041	Cylinder Cap
35.	AS-16051	Cover Plate	95.	M-2042	Packing Nut
36.	S-508	Hex Nut 1/2	96.	S-15969	Piston Rod
37.	M-1416	Foot Pedal	97.	S-24497	Pump Piston Rod
38.	M-1148	Release Lever	98.	S-7075	Release Lock
39.	M-2045	Crosshead	99.	AS-22107	Release Lever Assembly
40.	AS-16039	Pump Bracket or M-2237	100.	S-24648	Pump Cup
41.	S-1365	Comp. Spring	101.	S-7413	Pump Cup Washer
42.	S-15996	Lift Arm Bushing	102.	S-1863	Hex Nut
43.	S-5125	Aluminum Washer	103.	S-3282	7/16 Ball
44.	M-1414	Handle Yoke	104.	S-5652	3/8 Pipe Plug
45.	AS-20495	Yoke Return Rod	105.	S-2	Line Connector
46.	S-6549	Pin	106.	M-1157	Release Lever
47.	S-794	Cotter Pin 3/16 x 1-1/2	107.	S-3010	3/4 Int. Lockwasher
48.	S-3234	Cotter Pin 3/16 x 2-1/2	108.	S-15968	Ram Cup Washer
49.	S-5200	Inside Hub Washer	109.	M-2167	Ram Head
50.	S-16070	Release Pull Lever	110.	S-3	Return Line
51.	AS-16054	Piston Rod Assembly	111.	S-4	Line Connector Elbow
52.	S-16032	Name Plate	112.	AS-15962	Cylinder Shell
53.	S-23872	1/4-20 Sq. Hd. Set Screw	113.	AS-15961	Cylinder Complete
54.	S-16023	Piston Cup	114.	AS-15965	Ram Head Assembly
55.	S-15694	Roll Pin	115.	S-23689	Roll Pin 1/4 x 1/2
56.	S-6586	Release Lever Pin	116.	S-5098	1/4-20 Sq. Hd. Set Screw
57.	M-1423	Tie Casting	117.	AS-12588	Front Wheel
58.	S-5096	Grease Fitting	118.	AS-24498	Pump Rod Assembly
59.	S-9147	Wheel Bearing Cover	119.	S-543	1/4 Lock Washer
60.	S-9149	Inside Wheel Washer	120.	S-25661	Bearing Spacer