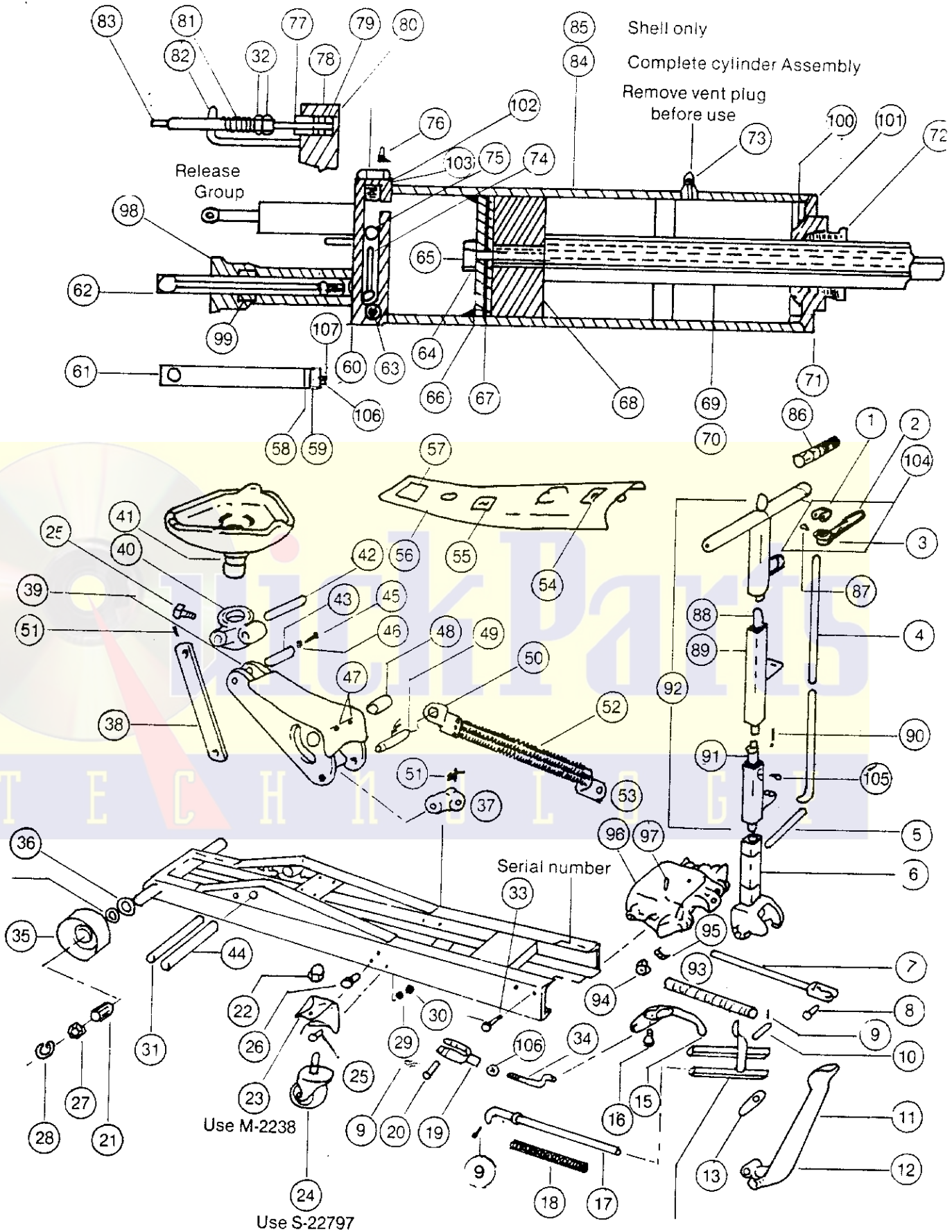


WA-73B



Repair Parts List WA-73B

Item No.	Part No.	Description	Item No.	Part No.	Description
1.	S-7075	Release Lock	54.	S-21023	Caution Label
2.	M-1157	Release Handle	55.	S-24747	Gov't Label
3.	S-23689	Roll Pin 1/2 x 1/2	56.	S-23023	Cover
4.	S-5261	Release Rod	57.	S-23041	Name Plate
5.	S-6551	Handle Yoke Pin	58.	S-24690	Back-up Washer
6.	M-1414	Handle Yoke	59.	S-24648	Piston Cup Washer
7.	AS-20495	Return Rod Assembly	60.	S-2505	Ball 5/16
8.	S-5263	Handle Yoke Rivet	61.	S-24497	Pump Piston
9.	S-107	Cotter Pin 1/8 x 1	62.	AS-24498	Pump Piston Assembly
10.	S-6549	Clevis Pin	63.	S-1806	Pipe Plug 3/16NPT
11.	M-1416	Foot Pedal	64.	S-3008	Lockwasher 1/2
12.	S-23872	Sq. Hd. Set Screw 1/4NC x 5/8	65.	S-9522	Hex Nut 1/2-20NF
13.	S-6552	Foot Pedal Pin	66.	S-4714	Piston Cup
14.	M-2237	Pump Link	67.	S-2782	Piston Cup Washer
15.	M-1417	Release Lever	68.	M-2166	Ram Head
16.	S-6560	Release Lever Pin	69.	S-7487A	Piston Rod
17.	S-27384	Return Plunger Rod	70.	AS-21379	Piston Rod Assembly
18.	S-9786	Return Spring	71.	M-2016	Cylinder Cap
19.	S-5123	Release Clevis	72.	M-2019	Piston Packing Nut
20.	S-4710	Release Clevis Pin	73.	S-18071	Filler Plug
21.	S-22795	Cage Roller Bearing	74.	S-5355	Ball Weight
22.	S-6605	Acorn Nut	75.	S-2750	Ball 1/2
23.	M-2238A	Swivel Caster Bracket	76.	S-1805	Pipe Plug
24.	S-22797A	Swivel Caster	77.	S-5176	Release Packing Nut
25.	S-105	Hx Hd Screw 3/8-16NC x 1	78.	S-21051	Packing Housing
26.	S-944	Hx Hd Screw 3/8-16NC x 1-1/4	79.	S-15047	O-Ring 3/8
27.	S-899	Washer 1-3/4 OD x 1-1/32 ID x 3/32 THK	80.	S-17829	O-Ring 9/16
28.	S-22796	Retaining Ring	81.	S-2591	Release Spring
29.	S-1325	Lockwasher 3/8	82.	S-5173	Release Valve Guide
30.	S-595	Hex Nut 3/8-16	83.	S-21050	Release Valve
31.	S-22745	Parallel Link Pin 3/4 x 8-1/2	84.	AS-23347A	Complete Cylinder Assembly
32.	S-1934	Hex Nut 3/8	85.	AS-15130A	Complete Shell
33.	S-114	Hx Hd. Cap Screw 1/2-13NC x 2-1/2	86.	S-20886	Handle Grips
34.	S-6546	Release Pull Rod	87.	S-23872	Sq. Hd. Set Screw 1/4-20 x 3/4
35.	M-840	Wheel	88.	AS-6550	Lock Rod
36.	S-19990	Wheel Washer	89.	AS-6660	Handle Weldment
37.	M-1716	Crosshead	90.	S-4074	Cotter Key 1/16-1/2
38.	S-6538	Parallel Link	91.	S-2329	Lock Rod Return Spring
39.	AS-23344	Lifting Arm	92.	AS-6545	Complete Handle Assembly
40.	M-1415	Saddle Bracket	93.	S-1366	Handle Return Spring
41.	M-2122	Saddle	94.	S-508	Hex Head 1/2-73
42.	S-5264	Parallel Saddle Pin	95.	S-512	Lockwasher
43.	S-6554	Saddle Bracket Pin	96.	M-2239	Tie Casting
44.	S-22744A	Lift Arm Pin 1-1/4 x 8-1/2	97.	S-15694	Roll Pin
45.	S-6655	Rd. Hd. Mach. Scw 1/4-20NC x 1/4	98.	M-1167	Pump Packing Nut
46.	S-10189	1/4 Int & Ext Star Washer	99.	S-7412	Packing Washer 7/8
47.	S-6593	Roll Pin 1/8 x 3/8	100.	S-6614	Packing Washer 1-1/4
48.	S-6575	Lift Arm Bushing	101.	S-22962	Cylinder Gasket
49.	S-22743	Crosshead Pin	102.	S-9309	Ball Chamber Plug
50.	S-22747A	Spring Retainer	103.	S-2594	Ball Chamber Gasket
51.	S-2907	Cotter Key 3/16 x 2"	104.	AS-22107	Release Handle Assembly
52.	S-16061	Lift Arm Spring	105.	S-102	Sq. Hd. Set Screw
53.	S-22746A	Caster Spring Retainer	106.	S-1863	5/16 x 24 Nut
			107.	S-7413	Pump Washer