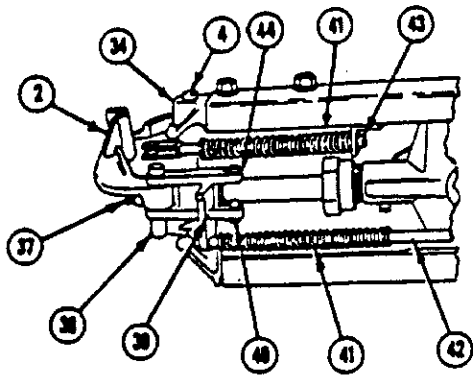
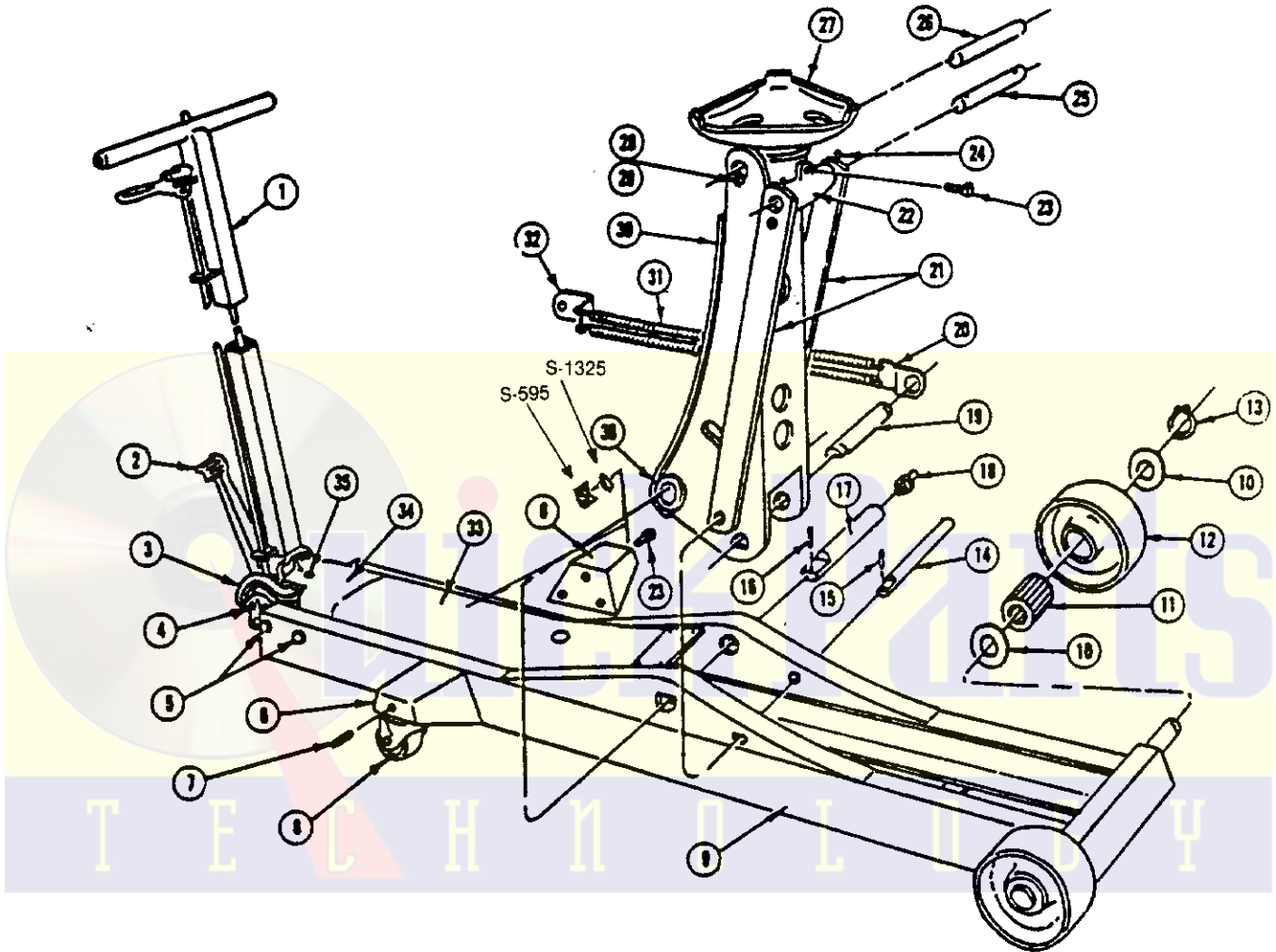


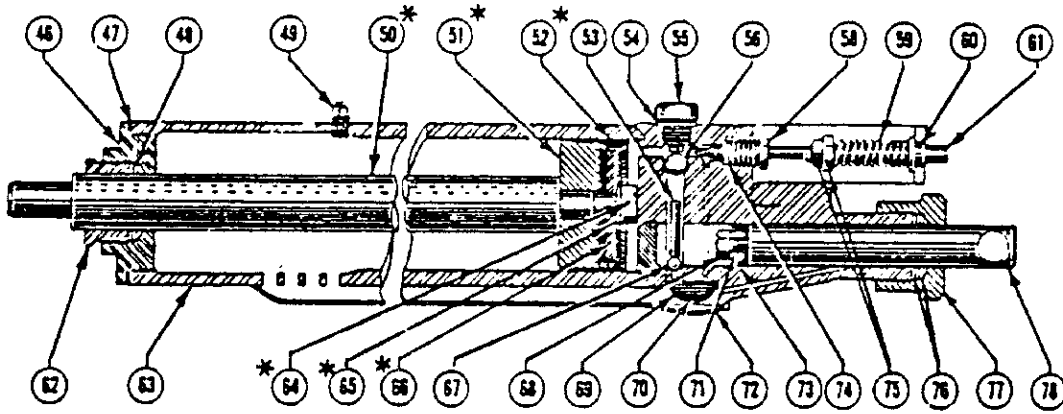
# PARTS LIST WA-73A WEAVER SUPER LY-HI-DRAULIC JACK (4-TON)

Order All Parts by Part Number



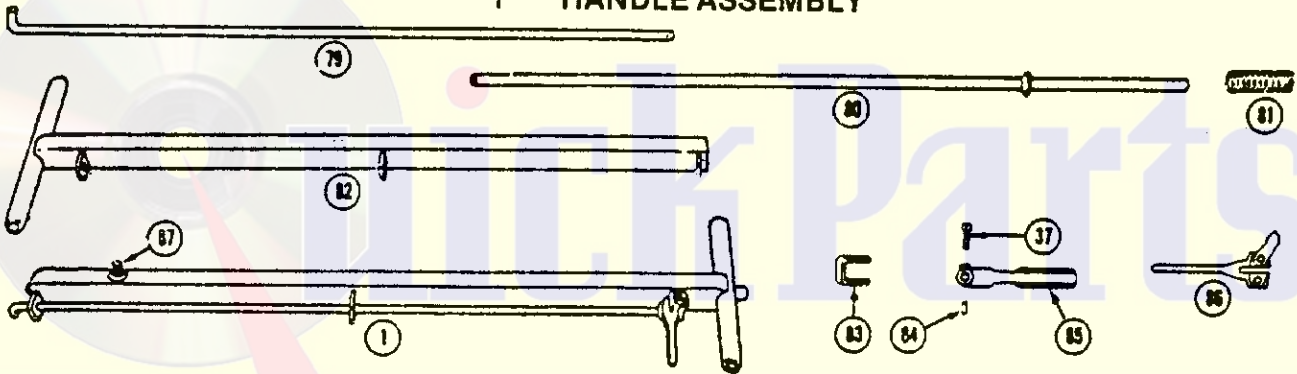
WA-73A WEAVER SUPER JACK—Continued

45 CYLINDER ASSEMBLY

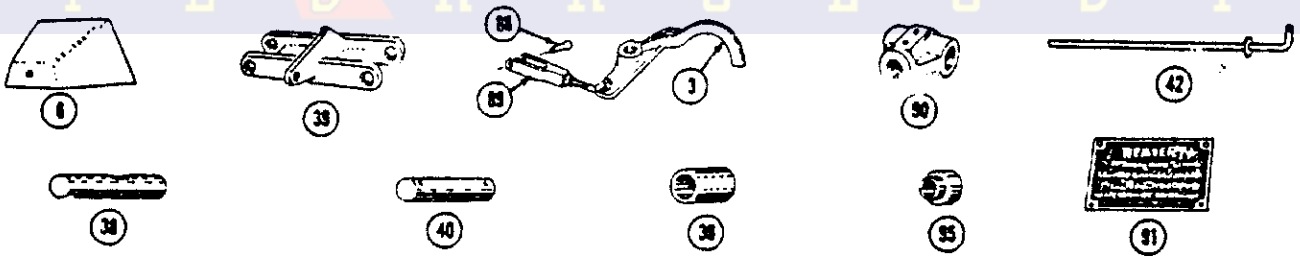


⑤⑦ Complete Ram Assembly \*

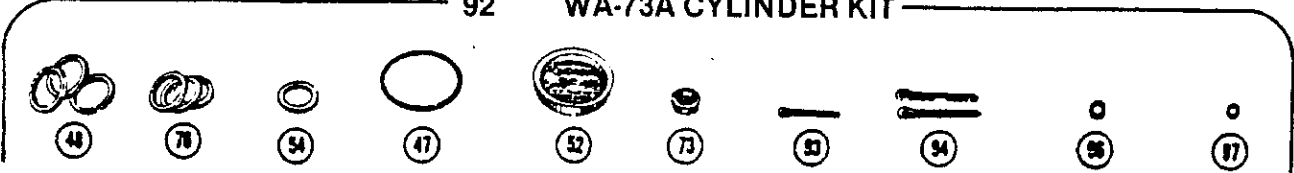
1 HANDLE ASSEMBLY



MISCELLANEOUS CASTINGS AND MISCELLANEOUS STEEL PARTS



92 WA-73A CYLINDER KIT



## WA-73A Service Jack

Item No.	Part No.	Description	Item No.	Part No.	Description
1.	AS-6545	Handle Assembly	52.	S-4714	Ram Cup
2.	M-1416	Foot Lever	53.	S-5355	Ball Weight
3.	M-1417	Release Lever	54.	S-2594	Gasket
4.	S-6551	Handle Pin 3/4 x 6-1/2	55.	S-9309	Ball Chamber Plug
5.	S-114	Hex Hd. Cap Screw 1/2-13NC x 2-1/2	56.	S-2750	Ball 1/2"
6.	M-2238	Caster Bracket	57.	AS-21379	Ram Assembly
7.	S-8543	Set Screw, Cup Point 1/4-20 NC x 5/8	58.	S-5176	Release Packing Nut
8.	S-22797	Caster Wheel	59.	S-2591	Release Spring Comp.
9.	AS-22705	Frame Weld	60.	S-5173	Release Valve Guide
10.	S-899	Washer 1-3/4 OD x 1-1/32 ID x 3/32 THK	61.	S-21050	Release Valve
11.	S-22795	Cage Bearing	62.	M-2019	Packing Nut
12.	M-840	Wheel	63.	AS-15130	Pump & Cylinder Weld
13.	S-22796	Retaining Ring	64.	S-9522	Hex Nut 1/2-20 NF
14.	S-22745	Parallel Link Pin	65.	S-3008	Lockwasher 7/8 OD x 1/2 ID x 1/16 THK
15.	S-15285	Roll Pin 3/16 x 3/4	66.	S-2782	Ram Cup Washer 2-5/8 OD x 33/64 ID x 1/4 THK
16.	S-15035	Roll Pin 3/16 x 1-1/4	67.	S-2505	Ball 5/16"
17.	S-22744	Lifting Arm Pin	68.	S-1863	Hex Nut 5/16-24 NF
18.	S-5096	Grease Fitting	69.	S-5175	Screen
19.	S-22743	Crosshead Pin 1-1/8 x 5	70.	S-13558	Magnet 1/8 x 1/4 x 1
20.	S-22747	Large Spring Clip	71.	S-7413	Pump Cup Washer 5/8 OD x 21/64 ID x 5/16
21.	S-6538	Parallel Link	72.	S-2497	Welch Plug
22.	M-1415	Saddle Bracket	73.	S-24648	Pump Cup
23.	S-105	Set Screw Square Head 3/8-16 NC x 1	74.	AS-21052	Packing Assembly
24.	S-2907	Cotter Pin	75.	S-1934	Hex Jam Nut 3/8 -16NC
25.	S-5264	Parallel Bar Pin	76.	S-7412	Plunger Packing
26.	S-6554	Upper Bracket Pin	77.	M-1167A	Pump Packing Nut
27.	M-2122	Saddle	78.	S-24497	Pump Plunger
28.	S-6655	Round Head Mach. Screw 1/4-20 NC x 1/2	79.	S-5261	Release Rod
29.	S-4058	Lockwasher	80.	AS-6550	Handle Weld
30.	AS-23344	Lifting Arm Weld Assembly	81.	S-2329	Spring Comp.
31.	S-16061	Ext. Springs	82.	AS-6660	Handle Weld
32.	S-22746	Small Spring Clip	83.	S-7075	Release Lock
33.	S-23023	Cover	84.	S-23689	Release Lock Pin 1/4 x 1/2
34.	M-2239	Tie Casting	85.	M-1157	Release Lock Handle
35.	S-6560	Release Lever Pin	86.	AS-22107	Release Lock Handle Assembly
36.	S-6575	Bearing	87.	S-102	Set Screw Square Head
37.	S-23872	Set Screw Square Head	88.	S-4710	Clevis Pin 3/8
38.	S-6552	Foot Lever Pin	89.	S-5123	Yoke
39.	M-2237	Pump Link	90.	M-1716	Cross Head
40.	S-6549	Pump Plunger Pin	91.	S-23041	Name Plate
41.	S-1365	Spring Comp.	92.	KJ-107	Cylinder Repair Kit
42.	S-27383	Return Rod	93.	S-3234	Cotter Pin 1/4 x 2
43.	AS-20415	Return Rod Spring Guide	94.	S-2499	Cotter Pin 1/4 x 2-1/4
44.	S-107	Cotter Pin 1/8 x 1	95.	S-21051	Packing Housing
45.	AS-23347	Cylinder & Pump Assembly	96.	S-17829	O-Ring 9/16 OD
46.	M-2016	Cylinder Cap	97.	S-15047	O-Ring 3/8 OD
47.	S-22962	Cylinder Gasket 3-5/8 OD			
48.	S-6614	Piston Rod Packing Plug, Drilled			
49.	S-18071	Ram (See Note A)			
50.	S-7487	Ram Head (See Note A)			
51.	M-2166	Ram Head (See Note A)			

### Note A:

M-2166 has been changed to eliminate breakage. Material thickness was 13/16 thick, new parts are 1.218 thick. In order to accommodate additional thickness of M-2166, S-7487 has to be remachined or replaced. For further information contact Service Manager.