

MODELS:

WA-15 (1-1/2 TON)	WA-80 (8 TON)
WA-30 (3 TON)	WA-120 (12 TON)
WA-50 (5 TON)	WA-200 (20 TON)

PROPER USE

1. Center the cap under the load.
2. Whenever possible have the jack lift in a perpendicular position. Lifting at an angle will place an excessive side strain on the ram.
3. Do not push the load off the jack.
4. Always use axle stands to support vehicle before making under-vehicle repairs.

OPERATING INSTRUCTIONS

A. TO OPERATE

1. Open release valve and pump handle several times. This will eliminate any airbound condition that may have occurred during shipment.
2. Engage the slotted end of the handle with the head of the release screw.
3. Close release valve by turning to right.
4. Insert handle in handle socket and operate the pump.

B. IF JACK WILL NOT OPERATE

1. Release valve may be open — Turn to right to close.
2. No oil in reservoir — With jack in closed position, place in upright position and add Hydraulic Jack Oil through Filler Plug until oil is level with Filler Hole. **DO NOT USE ALCOHOL, GLYCERINE, BRAKE FLUID, THICK OR DIRTY OIL.**
3. Intake and pressure valves may be held open by foreign matter — Use operating instructions A-1.
4. Jack will not operate on side — Jack may have been placed on wrong side. The side to which the handle socket is attached must be down.
5. Too much oil in reservoir — Too much oil is liable to cause a vacuum bound jack. The oil should be brought to the level of the Filler Plug.

C. IF JACK WILL RAISE TO LOAD BUT WILL NOT LIFT IT

1. Release screw may be closed tight enough to raise ram, but not closed tight enough to lift load.
2. Ram may be at extended height — Shim jack up.

3. Ram cup may have become injured or porous, allowing oil to pass it.
4. Air under ram — When there is a quantity of air under the ram, the ram will raise until it hits the load, then it will stay there until there has been sufficient number of pump strokes to compress this air to the proper pressure to lift the load. If this happens, turn jack upside down with ram extended, open release screw and close jack completely. This will cause air to return to oil reservoir.

5. Sticky valves — Empty all oil from reservoir and refill with gasoline or naphtha. Flush as recommended in operating instructions A-1. Then fill with new Hydraulic Jack Oil.

D. IF JACK WILL NOT HOLD LOAD

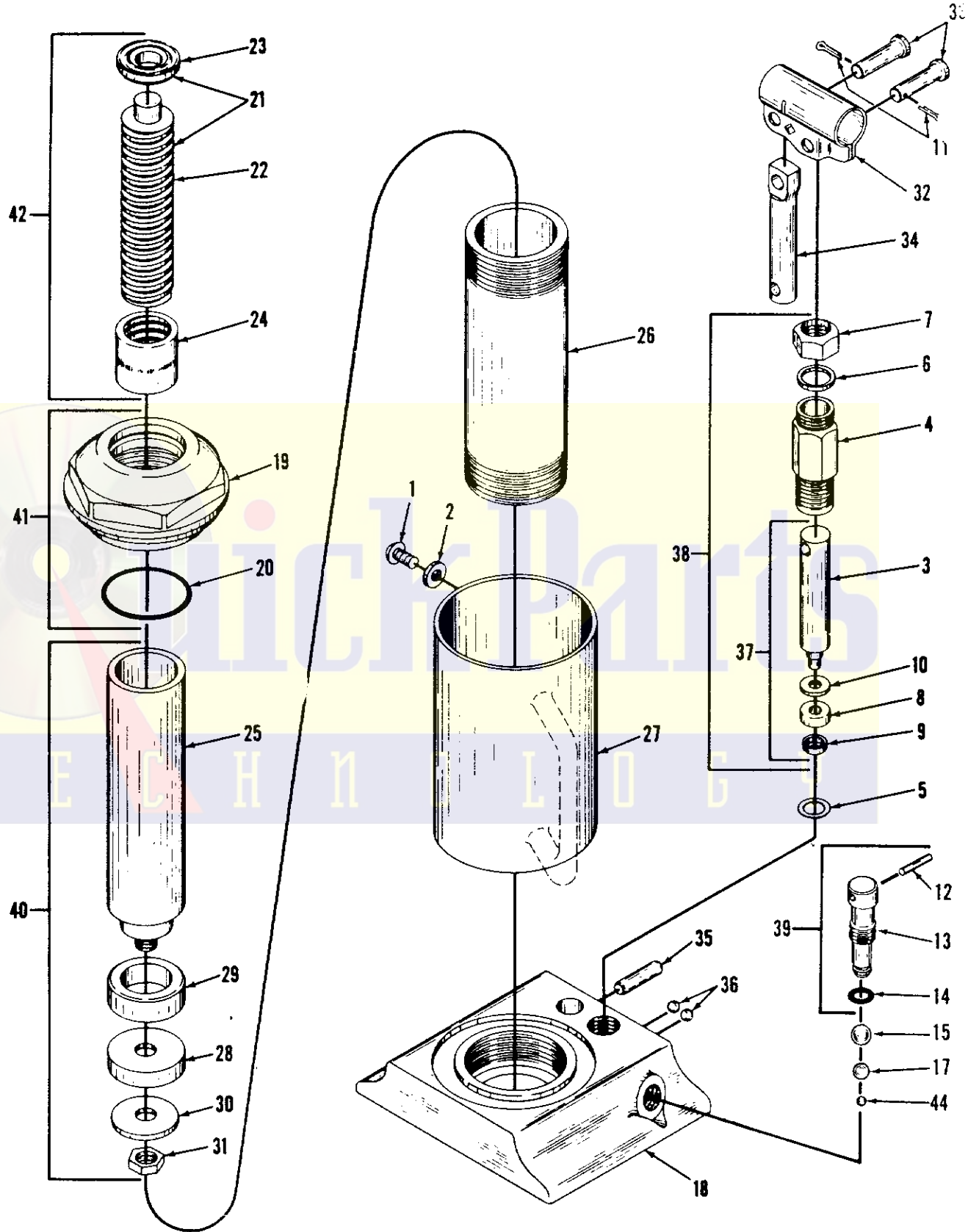
1. Release valve may not be tight enough.
2. Ram cup may have become injured, allowing oil to pass it.
3. Ball valves may not be seated properly — Flush off as prescribed in operating instructions A-1. The construction of this jack makes the ball valves readily accessible for cleaning. Remove release screw. Remove valves by tipping the jack forward and catching these parts in the hand or a container, place jack on back side with label up to avoid loss of oil. After washing ball valves in kerosene, assemble in reverse order. Replace ball if flat spots or pitted surfaces are found.

MAINTENANCE INSTRUCTIONS

1. Refill only with recommended Jack Oil. Never use a substitute.
2. Use every precaution to prevent entrance of dirt when refilling jack.
3. Store in upright position in a dry place.
4. When stored, the ram should be lowered completely — the pump piston should be in lowest position and the release valve should be closed.

LUBRICATION INSTRUCTIONS

1. Oil all moving parts periodically.
2. Grease should be used on exposed parts if jacks are constantly used under wet conditions.



Item No.	Name of Part	WA-15	WA-30	WA-50	WA-80	WA-120	WA-200
1	Filler Screw	D-2001	D-2001	D-2001	D-2001	D-2001	D-2001
2	Filler Screw Washer	D-2015	D-2015	D-2015	D-2015	D-2015	D-2015
3	Pump Piston	10-11759	10-12225	10-12225	10-12225	10-12225	10-12225
4	Pump Cylinder	D-2444A	D-2044A	D-2044A	D-2044A	D-2044A	D-2044A
5	Piston Cylinder Washer	D-2027	D-2027	D-2027	D-2027	D-2027	D-2027
6	Pump Wiper	D-2458	D-2058	D-2058	D-2058	D-2058	D-2058
7	Piston Packing Nut	10-11905	10-11740	10-11740	10-11740	10-11740	10-11740
8	Piston Cup	10-11760	10-11885	10-11885	10-11885	10-11885	10-11885
9	Piston Cup Retainer	10-11761	10-11761	10-11761	10-11761	10-11761	10-11761
10	Piston Cup Washer		10-11893	10-11893	10-11893	10-11893	10-11893
11	Cotter Pin (2)	D-2016	D-2016	D-2016	D-2016	D-2016	D-2016
12	Release Screw Pin	D-2051	D-2051	D-2051	D-2051	D-2051	D-2051
13	Release Screw	2-50418	2-50418	2-50418	2-50418	2-50418	2-50418
14	O-Ring 5/16 x 7/16	D-2099-6	D-2099-6	D-2099-6	D-2099-6	D-2099-6	D-2099-6
15	Valve Ball 13/32 Dia.	D-2075	D-2075	D-2075	D-2075	D-2075	D-2075
17	Valve Ball 5/16 Dia.	D-2070	D-2070	D-2070	D-2070	D-2070	D-2070
18	Base	D-2201C	D-2401C	D-2601C	D-2801C	D-3001C	D-3201A
19	Reservoir Head	10-11768	10-11769	10-11770	10-11887	10-11888	D-3202
20	O-Ring	D-2099-7	D-2099-22	D-2099-25	D-2097-1	D-2097-3	D-2099-33
21	Extension Screw & Head	10-11906					
22	Extension Screw		D-2428	D-2628	D-2828	D-3028	
23	Ram Head		10-11742	10-11883	10-11889	10-11889	D-3204
24	Extension Screw Bushing	D-2233	D-2433	D-2633	D-2933	D-3033	
25	Ram	D-2205-A	D-2405	D-2605	D-2805	D-3005	D-3205
26	Ram Cylinder	D-2213	D-2413	D-2613	D-2813	D-3013	D-3213
27	Reservoir	D-2223	10-11774	10-11775	10-11776	19-11821	19-11822
28	Ram Cup	D-2234A	D-2434A	D-2634A	D-2834A	D-3034A	D-3234
28A	Ram Cup Backup Washer	D-2240	Not Shown				
29	Ram Spacer	D-2235B	D-2435A	D-2635A	D-2835A	D-3035A	D-3235A
30	Ram Cup Retainer	D-2236A	D-2436	D-2636	D-2836	D-3036	D-3236
31	Ram Cup Nut	D-2237	D-2237C	D-2637	D-2637	D-2637	D-2637
32	Handle Socket	10-11756	2-50829	2-50829	2-50829	2-50829	2-50829
33	Handle Socket Link Pin (2)	10-11901	10-12019	10-12019	10-12019	10-12019	10-12019
34	Link-Piston	10-11785	D-2547	D-2547	D-2547	D-2547	D-2547
35	Link Pin	D-2248A	D-2848A	D-2848A	D-2848A	D-2848A	D-2848A
36	Valve Ball 7/32 Dia (2)	D-2074	D-2074	D-2074	D-2074	D-2074	D-2074
	Label	2-53838	2-53839	2-53840	2-53841	2-53842	2-53843
	Repair Kit	5-530	5-532	5-535	5-538	5-541	5-543
37	Piston Assembly	19-11866	19-12341	19-12341	19-12341	19-12341	19-12341
38	Pump Assembly	19-11826	19-12343	19-12343	19-12343	19-12343	19-12343
39	Rel. Screw Assembly	4-50514	4-50514	4-50514	4-50514	4-50514	4-50514
40	Ram Assembly	SA-2205A	SA-2405	SA-2605	SA-2805	SA-3005	SA-3205
41	Reservoir Head Assembly	19-11874	19-11882	19-11892	19-12047	19-12048	SA-3202
42	Extension Screw Assembly	19-12042	19-12043	19-12044	19-12045	19-12046	
44	Valve Ball 7/32 Dia.	D-2074	D-2074	D-2074	D-2074	D-2074	D-2074
45	Two Piece Handle	4-50340	4-50340	4-50340	4-50340	4-50340	4-50340

WARRANTY

These Jacks are fully guaranteed against defective material and workmanship when submitted or shipped prepaid to the nearest franchised service depot or the factory, ninety days from the date of delivery to the user. This warranty does not cover jacks that have been altered or attachments added to them which are not recommended by the manufacturer. The use of hydraulic brake or shock absorber fluid, alcohol, Kerosene or other deleterious fluids voids this warranty as does improper use of jacks through overloading or any other abusive practice or accident.