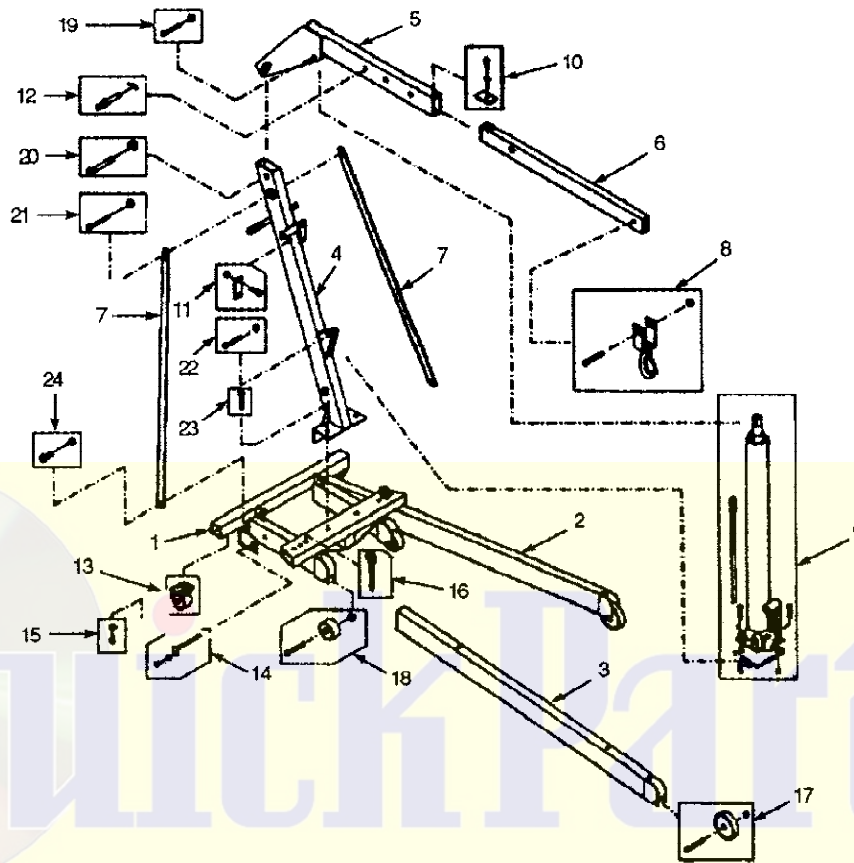


1 TON FOLD UP CRANE



PART NO.	DESCRIPTION	CONSISTS OF
246442	Base assembly	1
246443	Leg "L" assembly	2
246444	Leg "R" assembly	3
246445	Master assembly	4
246446	Boom assembly	5
246447	Boom extension	6
246448	Strut	7
246449	Hook assembly	8
246451	Square washer assembly	10
246452	Hook assembly	11
246453	Lock pin assembly	12
246454	Caster assembly	13
246455	Pin assembly	14
246456	Wheel bolt assembly	15
246457	Bolt pin assembly	16
246458	Wheel assembly	17
246459	Wheel assembly	18
246460	Hardware	19, 20, 21, 22, 23, 24
94-812	Model 94-812 - Hydraulic unit assembly	9
B67590	Model B67592 and Model U72381M - Hydraulic unit assembly	9
H68476	Model H68062 - Hydraulic unit assembly	9
418339	Product label, 94-812	
418020	Product label, B67592	
418449	Product label, H68062	
418917	Product label, U72381M	
415734	Warning, label, U72381M	

SPECIFICATIONS

Weight	Min. Height	Lift Height	Max. Height	Handle Effort	Handle Length	Min-Max Air Pressure
195 lbs.	23-5/8"	19-1/8"	42-3/4"	117 lbs	19-5/8"	115 PSI - 200 PSI

BOOM SPECIFICATION

Ext Lock Position	Capacity	Hook Height		Boom Length
		Min.	Max	
P1	2200 lbs.	8-1/4"	85-1/2"	42-3/8"
P2	1650 lbs.	2-1/2"	88-1/2"	48-3/8"
P3	1100 lbs.	0	91-1/2"	54-1/2"