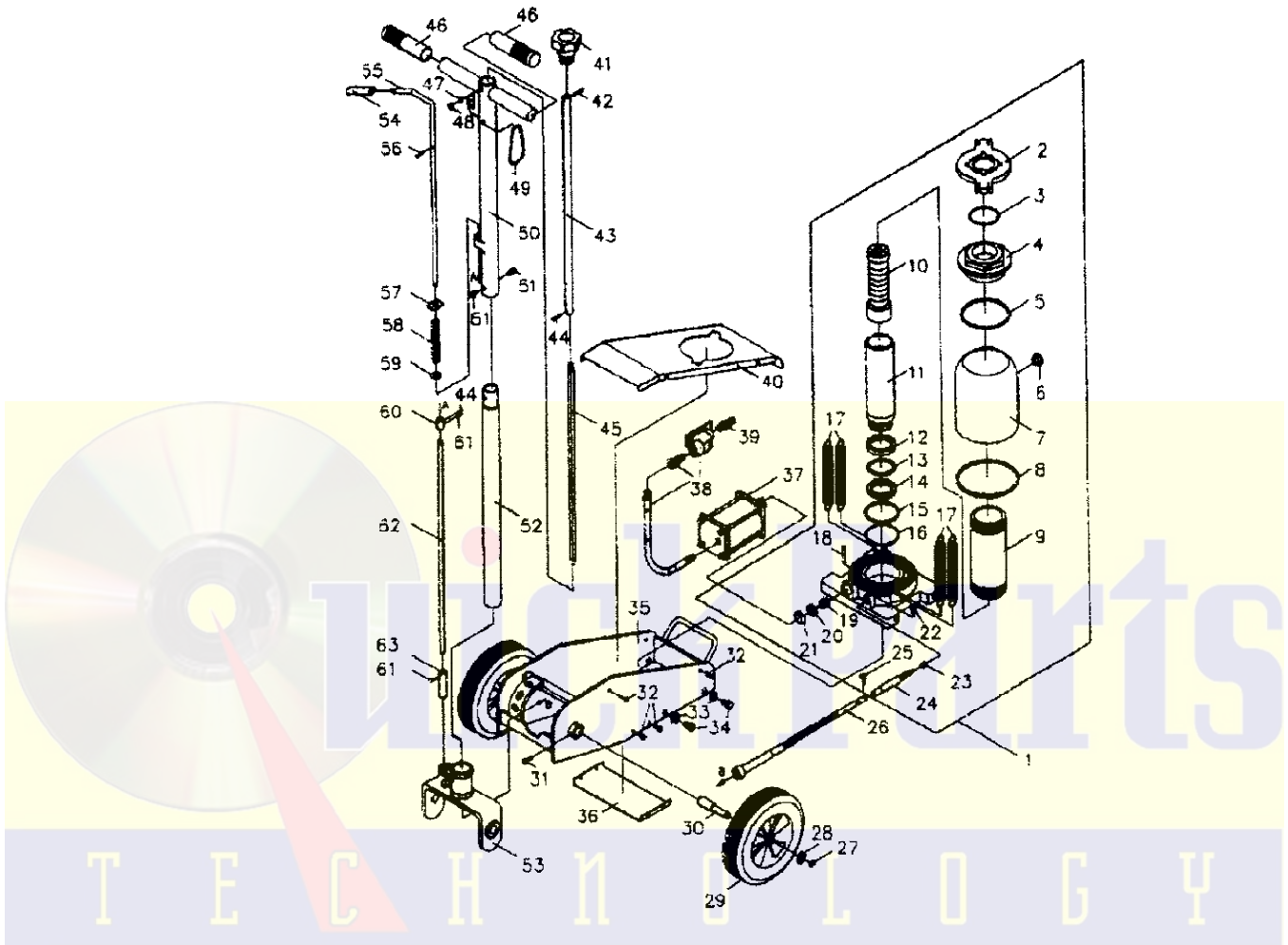


**22 TON AIR OPERATED JACK**



PART NO.	DESCRIPTION	CONSISTS OF
244896	Release assembly	44, 54, 55, 56, 57, 58, 59, 60, 61, 63
244897	Handle assembly	41, 42, 43, 44, 46(2 each), 47, 48, 49, 50, 51(2 each)
244899	Wheel assembly	27, 28, 29, 30
244900	Release valve assembly	23, 24, 25, 26
244902	Hydraulic cartridge assembly	19, 20, 21
244903	Seal kit	3, 5, 6, 8, 13, 14, 15, 16, 20, 23
244905	Air cylinder assembly	37
244907	Return spring	17(4 each)
246341	Hose assembly	38, 39
418018	Product label, 94-731	
416986	Product label, B67455	
H3100100	Product label, H68073	
	Warning label	
418914	Product label, U72288	
415577	Warning label, U72288	