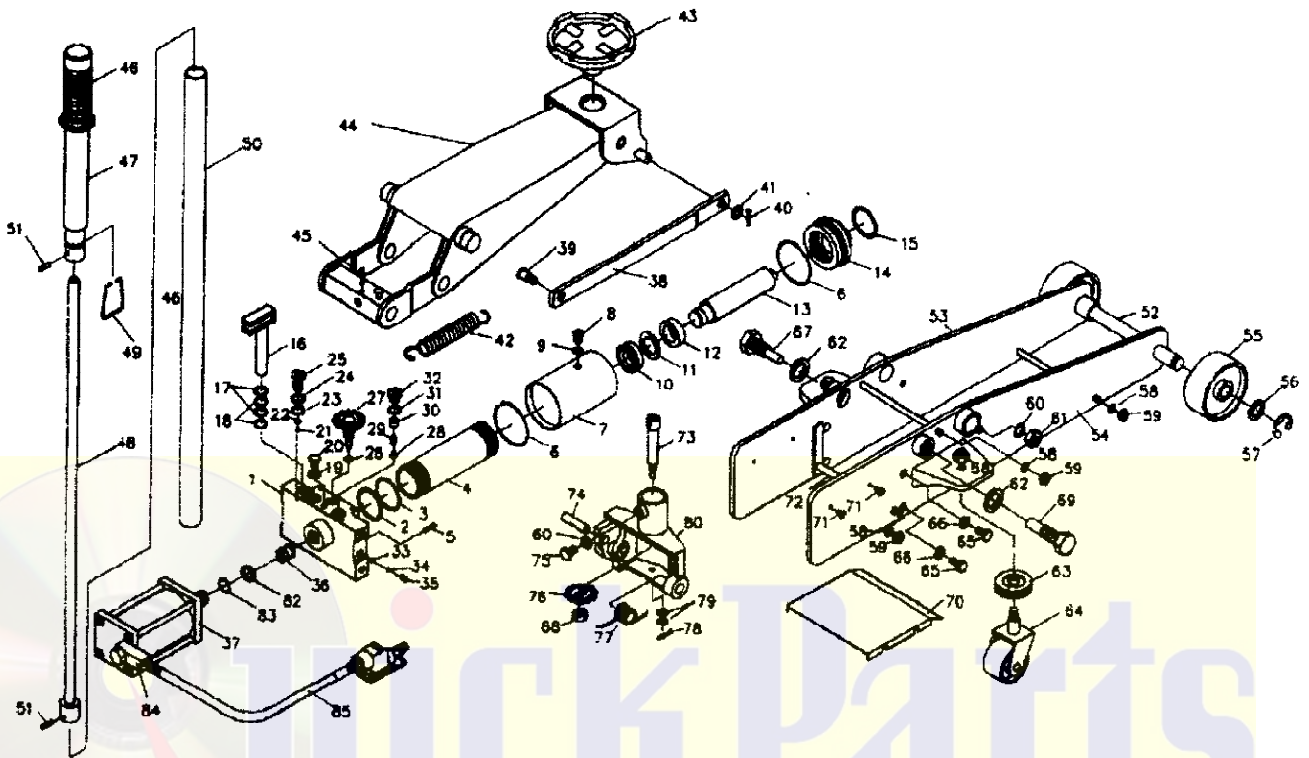


**2 TON AIR/MANUAL FLOOR JACK**



PART NO.	DESCRIPTION	CONSISTS OF
244905	Air cylinder assembly	37
244935	Seal kit	2, 3, 6(2 each), 9, 10, 11, 15, 17, 18, 19, 21, 22, 23, 24, 26, 31, 33, 81
244936	Handle assembly	46, 47, 48, 49, 50, 51(2 each)
244937	Release rod assembly	48, 51(2 each), 60, 66, 73, 74, 75, 76, 77, 78, 79, 80
244938	Saddle	43
244939	Wheel assembly	55, 56, 57
244940	Rear caster assembly	63, 64, 68
244941	Base	1
244942	Base assembly kit	16, 17(2 each), 18(2 each), 19, 20, 21, 22, 23, 24, 25, 26, 27, 28, 29, 30, 31, 32, 33, 34, 35, 82, 83
244943	Compression spring	42
244944	Hydraulic cartridge assembly	36
244946	Handle fork	80
244947	Handle fork kit	68, 73, 74, 75, 76, 77
244948	Cover plate	70
244949	Parallel link	38, 39, 40, 41
244950	Reservoir kit	2, 3, 4, 6(2 each), 7, 8, 9, 10, 11, 12, 13, 14, 15
244951	Handle	46, 47, 48, 49, 50, 51
244952	Release kit	27, 73
246341	Hose	85
246351	Swivel adapter	84
418335	Product label, 94-666	
416997	Product label, B67422	
416983	Product label, H68038	
H3100100	Warning label	
418911	Product label, U72272	
415577	Warning label, U72272	