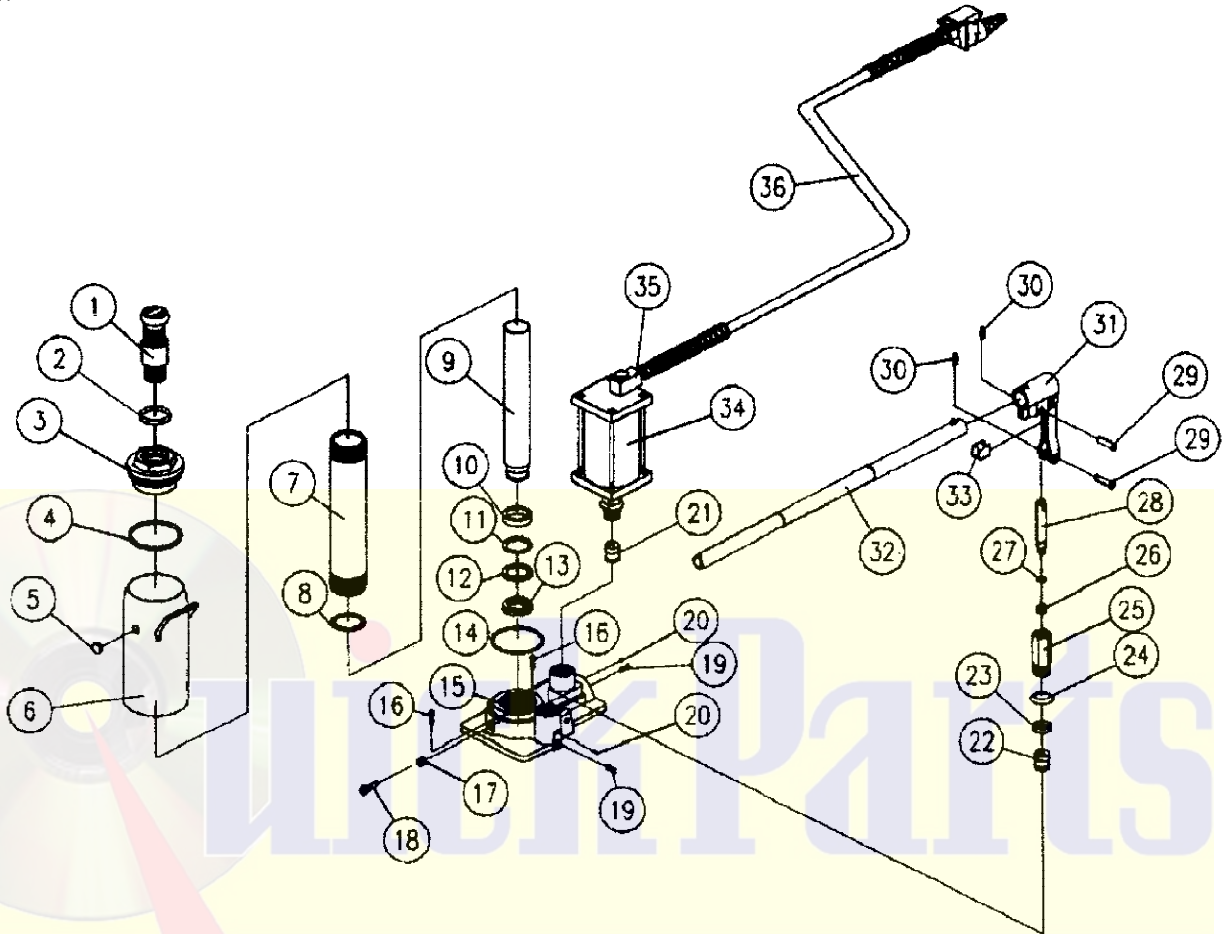


20 TON AIR/MANUAL BOTTLE JACK



PART NO.	DESCRIPTION	CONSISTS OF
244905	Air cylinder assembly	34
244953	Handle assembly	32
244954	Handle sleeve assembly	23, 24, 25, 26, 27, 28, 29(2 each), 30(2 each), 31, 33
244963	Seal kit	2, 4, 5, 8, 12, 13, 14, 17, 20(2 each), 23, 26, 27
244964	Base	15
244965	Base assembly kit	16(2 each), 17, 18, 19(2 each), 20(2 each)
244966	Reservoir	5, 6
244967	Bottle jack assembly	1, 2, 3, 4, 5, 6, 7, 8, 9, 10, 11, 12, 13, 14, 15, 16(2 each), 17, 18, 19(2 each), 20(2 each)
246341	Hose	36
246351	Swivel adapter	35
247168	Hydraulic cartridge assembly	22
247169	Hydraulic cartridge assembly	21
416978	Product label, H68037	
416992	Product label, B67131	
418330	Product label, 94-220	
H3100100	Warning label	
418906	Product label, U72222	
415567	Warning label, U72222	