



World Leader in Lift Productivity

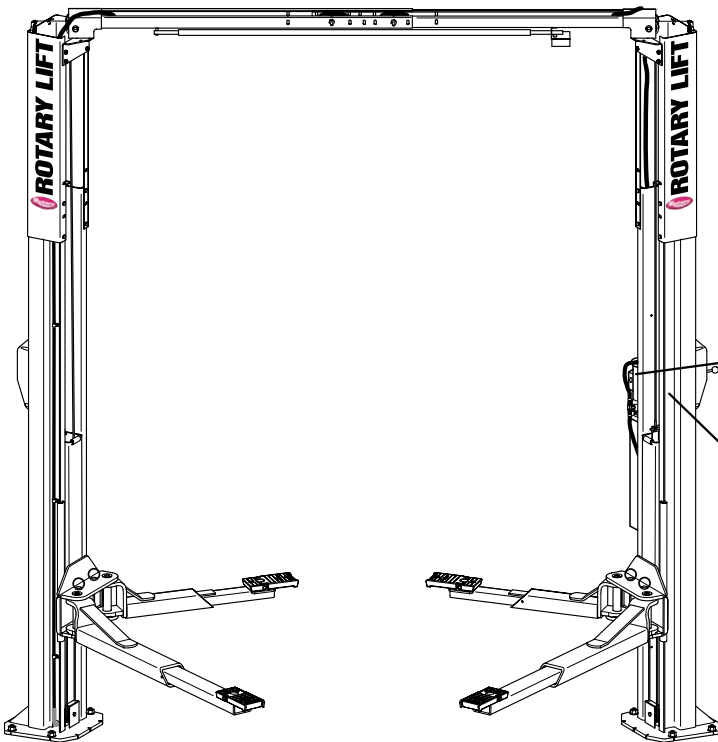
# SPOA7, SPOA9, SPO9

(200 Series Lifts)

SPOA7 Capacity 7,000 lbs.

SPOA9 Capacity 9,000 lbs.

SPO9 Capacity 9,000 lbs.



	PT# <input type="text"/>	N° <input type="text"/>
	PH <input type="text"/>	MAX AMB <input type="text"/>
DUTY <input type="text"/>	INS <input type="text"/>	
THERMAL PROTECTION <input type="text"/>		
<input type="radio"/>	HP <input type="text"/>	Kw <input type="text"/>
AMPS <input type="text"/>	VOLTS <input type="text"/>	
HZ <input type="text"/>	RPM <input type="text"/>	IP <input type="text"/>
	WARNING: MOTOR MUST BE GROUNDED IN ACCORDANCE WITH LOCAL AND NATIONAL ELECTRICAL CODES TO PREVENT SERIOUS ELECTRICAL SHOCKS	

	<b>IMPORTANT</b>
900-445-5438	DO NOT REMOVE THIS TAG
<b>MODEL:</b>	WARRANTY IDENTIFICATION
<b>CAP. LBS:</b>	
SERIAL NUMBER	
MANUFACTURED UNDER ONE OF THESE PATENTS	
5009287	
	A DOVER COMPANY Madison, IN

PARTS BREAKDOWN

**IMPORTANT:** When ordering parts or requesting service always give exact model and power unit serial number. Model number is shown on nameplate attached to power unit column. Power unit serial number is located on side of power unit.

**OWNERS RECORD**  
Complete information at right and keep in a safe place.

Date Installed \_\_\_\_\_

Installed in Bay # \_\_\_\_\_

Power Unit Serial # \_\_\_\_\_

Power Unit Model # \_\_\_\_\_

Lift Serial # \_\_\_\_\_

Lift Model # \_\_\_\_\_

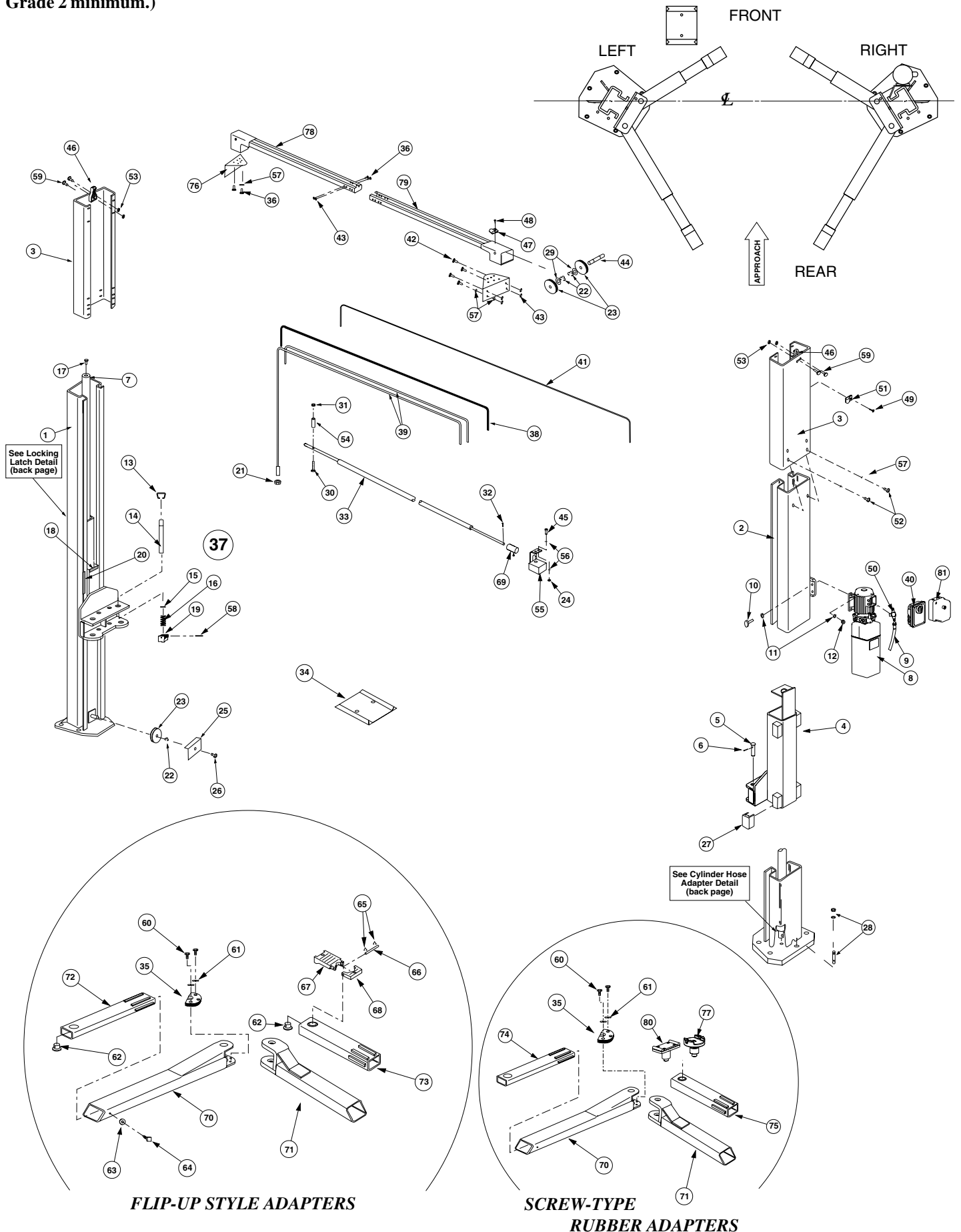
**NOTE:** For replacement parts -See your nearest Rotary Parts Distributor.

**PB 2-2-25**  
Rev. N 07/30/02

1. L.H. Column Weldment .....	N719	41. Locking Latch Cable .....	FJ7594-1
2. R.H. Column Weldment .....	N729	EH-1 & EH-2 for SPOA7/SPOA9/SPO9 .....	FJ7595-1
3. Column Extension		EH-4 for SPO9 .....	FJ7600
SPOA7 & SPO9 .....	N45	42. 3/8"-16NC x 1" Flanged HHCS .....	40144
SPOA9 .....	N410	43. 3/8"-16NC Flanged Locknut .....	40664
EH-1 MODEL SPOA7/SPOA9/SPO9 .....	N46	44. Sheave Shaft .....	FJ7444-8
EH-2 MODEL SPOA7/SPOA9/SPO9 .....	N47	45. 1/4"-20NC x 3/4" HHCS Grade 5 .....	40099
EH-4 MODEL SPO9 .....	N49	46. Latch Cable Guide .....	N69
4. Carriage Yoke Weldment .....	N89	47. Hose Clip (4 req'd-Overhead) .....	FJ7206
5. Arm Pin .....	FJ7838	48. #12 Type B x 1/2" Lg. Sl. HWHTS .....	40057
6. 3/16" x 2" Long Cotter Pin .....	41250	49. 5/16"-18NC x 3/8" PHMS .....	40227
7. Hydraulic Cylinder .....	N342	50. Branch Tee .....	FJ7668
8. Power Unit		51. Hose Clip (6 req'd-Column) .....	FJ7499
SPOA7 1Ø 60Hz .....	*P1052/P752	52. 3/8"-16NC x 1/2" Flanged HHCS .....	40122
SPOA7 1Ø 50 Hz .....	*P1055/FA791	53. 1/4"-20NC Flanged Locknut .....	40641
SPOA7 3Ø .....	*P1053/P753	54. 3/4" Spacer .....	FJ7871
SPO9/SPOA9 1Ø 60Hz .....	*P1002/P702	55. Limit Switch Assembly(use with Control Panel Power Unit)	
SPO9/SPOA9 1Ø 50Hz .....	*P1089/FA788	For units using less than or equal to 250V .....	N413
SPO9/SPOA9 3Ø .....	*P1047/P747	For units using above 250 V .....	N414
9. Power Unit Hose .....	FJ837	Limit Switch(use with Control Panel Power Unit)	
10. 5/16"-18NC x 1-1/2" Bolt (Full Thread) .....	40271	For units using less than or equal to 250V .....	N413-1
11. 5/16" External Tooth Lockwasher .....	40854	For units using above 250 V .....	FJ7979-1
12. 5/16"-18NC Hex Nut .....	40670	Contactor & Box (use with Drum Switch Power Unit)	
13. Actuator Pin Handle .....	FJ7985-1	All Voltages .....	N432
14. Actuator Pin .....	N121-1	Contactor (use with Drum Switch Power Unit)	
15. Retaining Pin .....	N119-3	All Voltages .....	N432-1
16. Arm Restraint Spring .....	FJ7656-2	56. 1/4" External Tooth Lockwasher .....	40779
17. Bleeder Screw (Specify Manufacturer) .....	N/A	57. 3/8" External Tooth Lockwasher .....	40845
18. Carriage Bumper .....	FJ7391-2	58. Spring Pin-1/4" dia. x 1-1/2" Lg. (Stainless) .....	14427
19. 120T Gear Block .....	FJ7749	59. 1/4"-20NC x 1" HHCS Grade 5 .....	40108
20. Approach bumper .....	FJ7391-1	60. 3/8"-16NC x 1-1/2" HHCS Grade 5 .....	40200
21. 1/2"-13NC Hex Lock Nut .....	40703	61. 3/8" Spring Washers .....	40818
22. Truarc #5304-75 Klipping for 3/4" Shaft .....	41411	62. Adapter Swivel Pin .....	FJ79-6
23. Sheave .....	FJ7116-1	63. 3/8" Internal Tooth Washer .....	40843
24. 1/4"-20NC Zinc Hex Nut .....	40627	64. 3/8"-16NC x 5/8" Lg. HHCS Grade 8 .....	40155
25. Sheave Cover .....	N119-1	65. 3/32" Hog Ring for 1/2" Shaft (8 req'd) .....	FJ671-6
26. 1/4"-20NC x 3/8" Lg. PHMS Plated (2 pcs.) .....	40063	66. Adapter Pin .....	FJ671-3
27. Slider block .....	FJ7360	67. High Step Adapter .....	FJ671-1
28. 3/4" Concrete Anchor .....	FJ7380	68. Low Step Adapter .....	FJ671-2
29. 1-1/2" O.D. x .760-.770" I.D. x .045" Bushing .....	41388	69. Actuator Assembly .....	N433
30. 1Ø 1/4"-20NC x 2" HHCS .....	40109	70. Rear Outer Arm Weldment	
3Ø 1/4"-20NC x 2-3/4" HHCS .....	40114	SPOA7 .....	N239-1
31. 1/4"-20NC Insert Locknut .....	40642	SPOA9 .....	N238-1
32. 1/8" x 1" Lg. Cotter Pin .....	41200	SPO9 .....	N241-1
33. Switch Bar Assembly		71. Front Outer Arm Weldment	
1Ø .....	N415	SPOA7 .....	N240-1
3Ø for use with Control Panel .....	FJ7613-2	SPOA9 .....	N237-1
3Ø for use with Drum Switch .....	N434	SPO9 .....	N241-1
34. Spotting Wheel Dish Kit .....	FF729	72. Rear Inner Arm Weldment	
35. Restraint Gear .....	FJ7750	SPOA7 .....	N239-2
36. 3/8"-16 NC x 3/4" Long Flanged HHCS .....	40124	SPOA9 .....	FJ7493-6
*37. Arm Restraint Kit (1 arm) .....	**FJ7888	SPO9 .....	N241-2
38. Overhead Hose		73. Front Inner Arm Weldment	
SPOA7 .....	FJ838	SPOA7 .....	FJ7256-2
SPOA7 EH-1 MODEL .....	FJ840	SPOA9 .....	FJ7491-6
SPOA7 EH-2 MODEL .....	FJ841	SPO9 .....	N241-2
SPOA9/SPO9 .....	FJ839	74. Rear Inner Arm Weldment (R/A)	
SPOA9/SPO9 EH-1 MODEL .....	FJ842	SPOA7 .....	N2101-1
SPOA9/SPO9 EH-2 MODEL .....	FJ843	SPOA9 .....	N2102-1
SPO9 EH-4 MODEL .....	FJ845	SPO9 .....	N2104-1
39. Equalizer Cables		75. Front Inner Arm Weldment (R/A)	
SPOA7 .....	FJ7449	SPOA7 .....	N2100-1
SPOA7 EH-1 MODEL .....	FJ7545	SPOA9 .....	N2103-1
SPOA7 EH-2 MODEL .....	FJ7546	SPO9 .....	N2104-1
SPOA9 .....	N33	76. Column Mounting Bracket .....	N439
SPOA9 EH-1 MODEL .....	N34	77. Adapter Assembly .....	FJ6161
SPOA9 EH-2 MODEL .....	N35	Rubber Pad .....	FJ6161-1
SPO9 .....	FJ7450	78. L.H. Overhead Weldment (Outer) .....	N437-1
SPO9 EH-1 MODEL .....	FJ7547	79. R.H. Overhead Weldment (Inner) .....	N438-1
SPO9 EH-2 MODEL .....	FJ7528	80. Adapter Assembly .....	FJ6159
SPO9 EH-4 MODEL .....	FJ7601	Rubber Adapter .....	FJ6158-4
40. Capacitor Box .....	FA7147-1	81. Control Panel Kit(Panel and Attaching Hardware)	
Capacitor Box Cover Plate .....	FA7203-1	3Ø 208V/60 Hz. ....	FA7146-1
Drum Switch .....	FA7205	3Ø 230V/60 Hz. ....	FA7146-2
Drum Switch Handle .....	FA7205-1	3Ø 460-480V/60 Hz. or 380-415V/50Hz. ....	FA7146-3
M5 x 10 PHMS, Plated .....	40275	3Ø 480V/50 Hz. ....	FA7146-4

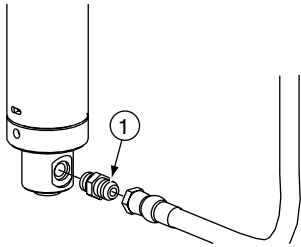
**NOTE: Standard hardware items should be purchased from local hardware source when possible.**

**CAUTION** Care should be taken to use hardware equal to that specified in this listing. (If grade is not specified, use Grade 2 minimum.)



\*Two different Power Units were used. Please check to see which you have before calling for service. Thank You.

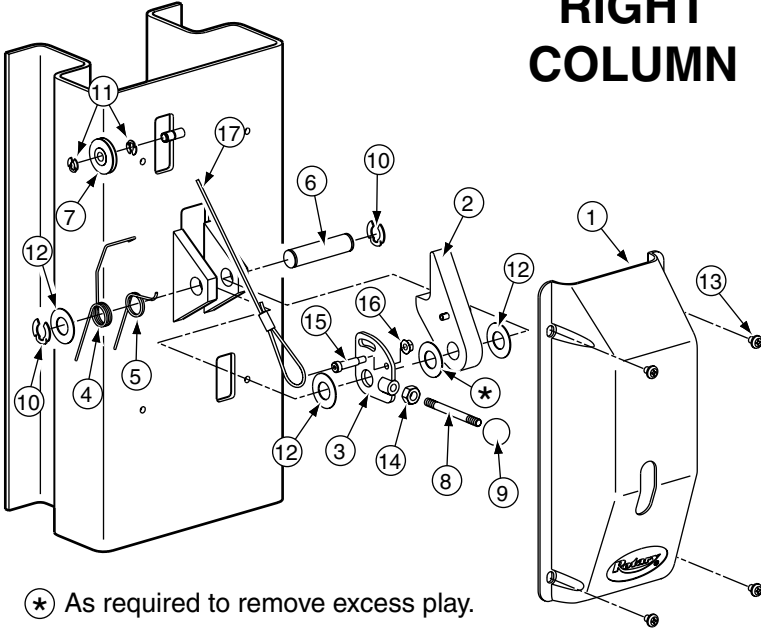
\*\*Includes items 13, 14, 15, 16, 19, 35, 58, 60, 61



### CYLINDER HOSE ADAPTER DETAIL

ITEM	DESCRIPTION	PART
1	Straight Adapter	FJ7352-3

## RIGHT COLUMN

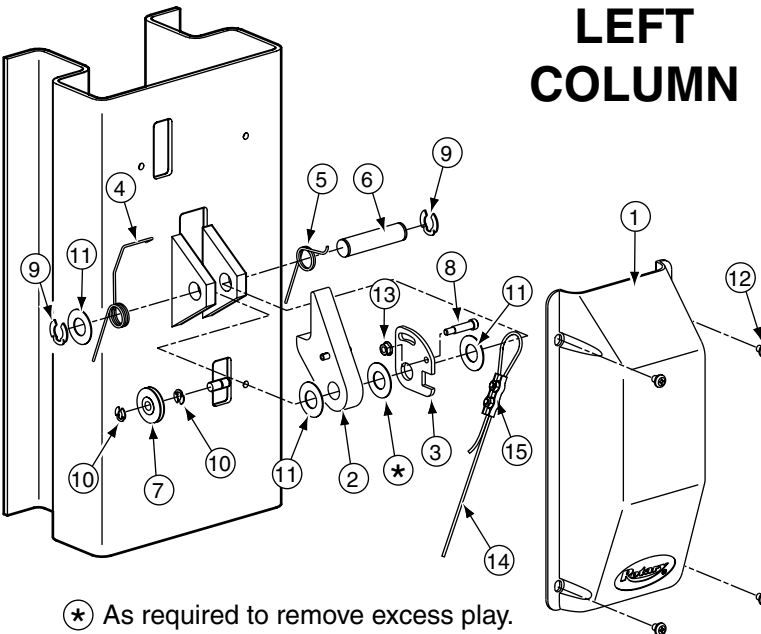


### LOCKING LATCH DETAIL PARTS LIST

ITEM	DESCRIPTION	PART
1	Control Side Cover	FJ7452
2	Locking Latch Dog	FJ7382-7
3	Control Plate	FJ7594-2
4	Spring	FJ7566-10
5	Spring	FJ7382-9
6	Latch Shaft	FJ7382-34
7	Locking Latch Sheave	FJ7322
8	Handle	FJ7382-18
9	Ball Handle	FC134-91
10	Truarc Klipring #5304-75 for 3/4" Shaft	41411
11	Truarc Klipring #5304-37 for 3/8" Shaft	41410
12	1-1/2" O.D. x 3/4" I.D. x .045" Mach. Bush.	41388
13	5/16"-18NC x 3/8" Lg. PHMS	40227
14	3/8" - 16NC Hex Jam Nut	40658
15	Shoulder Bolt, 5/16"-20 NC x 1-1/4"	40220
16	Flanged Locknut, 1/4" - 20NC	41423
17	Locking Latch Cable	FJ7595-1
	EH-4 for SPO9	FJ7600

⊛ As required to remove excess play.

## LEFT COLUMN



### LOCKING LATCH DETAIL PARTS LIST

ITEM	DESCRIPTION	PART
1	Latch Cover	FJ7451
2	Locking Latch Dog	FJ7382-7
3	Control Plate	FJ7382-5
4	Spring	FJ7566-10
5	Spring	FJ7382-9
6	Latch Shaft	FJ7382-34
7	Locking Latch Sheave	FJ7322
8	Shoulder Bolt 5/16"-20NC x 1-1/4"	40220
9	Truarc Klipring #5304-75 for 3/4" Shaft	41411
10	Truarc Klipring #5304-37 for 3/8" Shaft	41410
11	1-1/2" O.D. x 3/4" I.D. x .045" Mach. Bush.	41388
12	5/16"-18NC x 3/8" Lg. PHMS	40227
13	Flanged Locknut, 1/4" - 20NC	41423
14	Locking Latch Cable	FJ7595-1
	EH-4 for SPO9	FJ7600
15	Latch Cable Clamp	N63-1

⊛ As required to remove excess play.

World Headquarters:

**Rotary Lift**  
A **DOVER** COMPANY

2700 Lanier Drive  
Madison, Indiana USA  
Phone: 1.800.640.5438  
Phone: 1.812.273.1622

Fax: 1.800.578.5438  
Fax: 1.812.273.6502  
Email: userlink@rotarylif.com  
Internet: www.rotarylif.com

Italy:

(European Manufacturing Headquarters)  
**Rotary Lift Europe S.r.l.**

Manoppello Scalo  
Phone: +39.085.856.9058  
Fax: +39.085.856.9059  
Email: rotary.europe@rotarylift.com

Germany:

(European Sales Headquarters)  
**Rotary Lift Germany GmbH**

Bensheim  
Phone: +49.6251.582.640  
Fax: +49.6251.582.6422  
Email: sales@rotarylif.de

United Kingdom:

(Regional Sales Office)  
**Rotary Lift (UK) LTD.**

Halstead, Essex  
Phone: +44.178.747.7711  
Fax: +44.178.747.7720  
Email: sales@rotarylif.idps.co.uk

Canada:

(Regional Sales Office)  
**Dover Corp. (Canada) LTD.**

Rotary Lift Division  
Mississauga, Ontario  
Phone: 905.812.9920  
Fax: 905.812.9719  
Email: canada@rotarylif.com

Austral-Asia:

(Regional Sales Office)  
**Rotary Lift Austral/Asia**

Petaling Jaya, Malaysia  
Phone: +60.3.7660.0285  
Fax: +60.3.7660.0289  
Email: rilim@rotarylif.com

