

**HEIN-WERNER
AUTOMOTIVE**

Winner
HEIN-WERNER AUTOMOTIVE®

INSTRUCTION MANUAL REPAIR PARTS LIST

HYDRAULIC UNIT

8 TON (7258 Kg) CAPACITY

PART CODE H68476



WARNING



1. THIS HYDRAULIC UNIT HAS A RATED OUTPUT CAPACITY OF 8 TONS. THIS MAY BE MORE OR LESS THAN THE CAPACITY OF THE EQUIPMENT IT IS USED ON.
2. DO NOT OVERLOAD UNIT. OVERLOADING MAY CAUSE DAMAGE TO OR FAILURE OF THE UNIT.
3. THIS IS A LIFTING DEVICE ONLY. LOAD MUST BE SUPPORTED IMMEDIATELY BY OTHER APPROPRIATE MEANS.
4. DO NOT DROP LOAD SUDDENLY, AS RESULTING SHOCK TO UNIT MAY CAUSE DAMAGE.
5. UNIT MUST BE FULLY RETRACTED BEFORE ADDING OIL TO RESERVOIR. USE ONLY HYDRAULIC JACK OIL. DO NOT USE BRAKE FLUID. IMPROPER FLUIDS CAN DAMAGE THE UNIT.
6. ALL MOUNTING HARDWARE MUST BE TIGHT BEFORE USING. DO NOT SUBSTITUTE HARDWARE PROVIDED.
7. IT IS THE OWNER'S RESPONSIBILITY TO INSURE THIS WARNING DECAL IS INTACT AND LEGIBLE. REPLACEMENT DECALS ARE AVAILABLE FROM THE MANUFACTURER.
8. LOADS OR PIVOT POINTS APPLIED TO THIS UNIT MUST BE LOCATED ON THE CENTER OF THE RAM PLUNGER.
9. STUDY, UNDERSTAND AND FOLLOW ALL INSTRUCTIONS BEFORE USE.
10. FAILURE TO HEED THESE WARNINGS MAY RESULT IN LOSS OF LOAD AND/OR PERSONAL INJURY OR PROPERTY DAMAGE.

LIMITED WARRANTY

Lincoln, a Division of McNeil (Ohio) Corp., a subsidiary of Pentair, Inc., warrants that jacks and related service equipment sold with the brand-names Lincoln, Blackhawk Automotive, Blackhawk Automotive Banner, Blackhawk Automotive Porto-Power, Hein-Werner Automotive, Hein-Werner Automotive Winner will be free from defects in material and workmanship during the one (1) year following the date of purchase. This warranty is extended to the original retail purchaser only. If a jack or related service equipment proves to be defective during this warranty period, it will be repaired or replaced without charge. To obtain repair or replacement, it must be shipped, transportation charges prepaid, with proof of date of purchase to a Lincoln authorized Warranty and Service Center, within one (1) year following the date of purchase. This warranty does not apply to parts damaged from accident, overload, or abuse, nor does it apply to any equipment which has been altered or used with special attachments other than those recommended by Lincoln. No other express warranty applies to jacks and related service equipment manufactured by Lincoln. ANY IMPLIED WARRANTIES applicable to jacks and related service equipment manufactured by Lincoln, INCLUDING THE WARRANTIES OF MERCHANTABILITY AND FITNESS FOR A PARTICULAR PURPOSE, WILL LAST ONLY FOR ONE (1) YEAR FROM THE DATE OF PURCHASE. SOME STATES DO NOT ALLOW LIMITATIONS ON HOW LONG AN IMPLIED WARRANTY LASTS, SO THE ABOVE LIMITATION MAY NOT APPLY TO YOU. In no event shall Lincoln be liable for incidental or consequential damages. The liability of Lincoln on any claim for loss or damage arising out of the sale, resale, or use of a jack or related service equipment shall in no event exceed the purchase price. SOME STATES DO NOT ALLOW THE EXCLUSION OR LIMITATION OF INCIDENTAL OR CONSEQUENTIAL DAMAGES, SO THE ABOVE LIMITATION OR EXCLUSION MAY NOT APPLY TO YOU. THIS WARRANTY GIVES YOU SPECIFIC LEGAL RIGHTS, AND YOU MAY ALSO HAVE OTHER RIGHTS WHICH VARY FROM STATE TO STATE.

OWNER'S RESPONSIBILITY

Operation. The owner and/or operator shall have an understanding of these operating instructions and warnings before operating the unit. Warning information shall be emphasized and understood. If the user is not fluent in English, the instructions and warnings shall be read to and discussed with the operator in the operator's native language by the purchaser/owner, making sure that the operator comprehends its contents.

Maintenance. The unit shall be maintained in accordance with instructions listed under "Maintenance."

Inspection

1. Visual inspection shall be made before each use, checking for leaking hydraulic fluid, and damaged, loose or missing parts.
2. Each unit, if subjected to an abnormal load or shock, shall be inspected immediately by an authorized Hein-Werner service center.
3. Owners and/or users should be aware that repair of this equipment may require specialized knowledge and facilities. It is recommended that an annual inspection be made by an authorized service center and that any defective parts, decals or warning labels

be replaced with genuine Hein-Werner parts. A list of authorized service centers is available upon request.

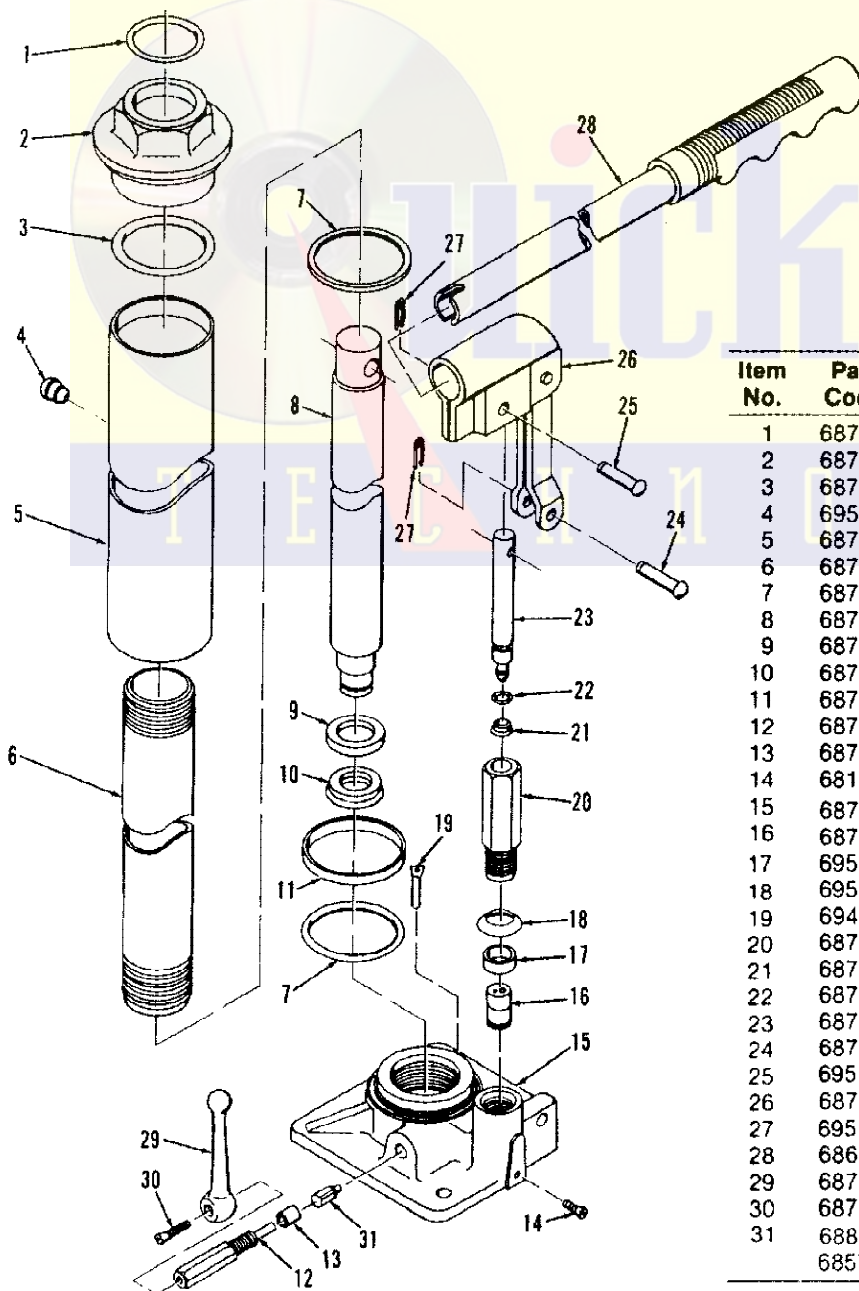
Damaged Equipment. Any unit which appears to be damaged in any way, is found to be badly worn, or operates abnormally SHALL BE REMOVED FROM SERVICE until necessary repairs are made by an authorized service center.

MAINTENANCE

1. Keep a light coat of oil on the hydraulic unit ram plunger.
2. Maintain proper oil level. With unit standing vertically on its base and ram plunger fully retracted, oil level should be at the bottom of the filler plug hole. Add or drain as necessary to maintain this level.

OPERATION

1. To extend, turn release lever fully clockwise, insert handle in handle socket, and pump handle.
2. To retract, turn release lever counterclockwise slowly. Retracting speed is controlled by the amount lever is opened.



#H68476 PARTS LIST 8 TON HYDRAULIC UNIT

Item No.	Part Code	Description	Qty. Required
1	68780	"O" Ring (Top Nut)	1
2	68781	Top Nut	1
3	68782	"O" Ring	1
4	69530	Filler Plug	1
5	68783	Reservoir	1
6	68784	Ram Cylinder	1
7	68785	Washer	2
8	68786	Ram Plunger	1
9	68787	Back-Up, Washer	1
10	68788	U-Cup (Ram)	1
11	68789	Back-Up, Washer	1
12	68760	Release Screw	1
13	68761	Packing	1
14	68123	Valve Plug	1
15	68765	Base	1
16	68790	Hydraulic Cartridge	1
17	69547	Packing (Pump)	1
18	69546	Washer	1
19	69417	Filter	1
20	68769	Pump Cylinder	1
21	68770	Piston Cup Assy.	1
22	68771	"O" Ring	1
23	68772	Pump Piston	1
24	68773	Pin	1
25	69510	Pin (Pump Piston)	1
26	68775	Handle Socket	1
27	69512	Retaining Pin	2
28	68669	Handle	1
29	68778	Release Valve Handle	1
30	68779	Screw	1
31	68805	Cone Spacer	1
	68572	Warning Decal (Not shown)	1