

INSTRUCTION MANUAL REPAIR PARTS LIST

12 TON PUMP, RAM AND HOSE SET

PART CODE H68063



1. READ, STUDY, AND UNDERSTAND ALL WARNINGS AND OPERATING INSTRUCTIONS FURNISHED WITH THIS EQUIPMENT BEFORE USE.
2. THIS EQUIPMENT IS DESIGNED FOR USE ONLY WITH HEIN-WERNER WINNER SERIES PRESSES. USE WITH ANY OTHER EQUIPMENT MAY RESULT IN OVERLOADING, REDUCED LOAD CAPACITY, REDUCED STABILITY, AND/OR SYSTEM FAILURE.
3. DO NOT OVERLOAD. OVERLOADING CAN RESULT IN PERSONAL INJURY OR DAMAGE TO THE EQUIPMENT.
4. MAINTAIN PROPER OIL LEVEL. OVERFILLING MAY CAUSE DAMAGE TO, OR FAILURE OF THIS EQUIPMENT.
5. DO NOT OPEN FILLER PLUG FOR ANY REASON, UNLESS RAM IS FULLY RETRACTED.
6. DO NOT CONNECT PUMP TO ANY RAM THAT IS EXTENDED OR PARTIALLY EXTENDED.
7. PRIOR TO APPLYING A LOAD, INSURE THAT ALL ATTACHMENTS ARE FULLY ENGAGED.
8. INSURE LOAD IS CENTRALLY APPLIED TO RAM SADDLE TO MINIMIZE AN OFF CENTER LOAD CONDITION.
9. HEIN-WERNER RECOMMENDS THE USE OF A FORCE GAUGE TO VERIFY THE ACTUAL LOAD BEING APPLIED FOR VARIOUS TYPES OF SETUPS USED.
10. IT IS THE OWNER'S RESPONSIBILITY TO KEEP DECALS LEGIBLE AND INTACT. REPLACEMENT DECALS ARE AVAILABLE FROM AUTHORIZED SERVICE CENTERS OR THE FACTORY. ORDER PART CODE 68581.
11. FAILURE TO HEED THESE WARNINGS MAY RESULT IN LOSS OF LOAD, DAMAGE TO EQUIPMENT AND/OR FAILURE RESULTING IN PERSONAL INJURY OR PROPERTY DAMAGE.

OWNER'S RESPONSIBILITY

Operation. The owner and/or operator shall have an understanding of these operating instructions and warnings before operating this equipment. Warning information shall be emphasized and understood. If the user is not fluent in English, the instructions and warnings shall be read to and discussed with the operator in the operator's native language by the purchaser/owner, making sure that the operator comprehends its contents.

Maintenance. This equipment shall be maintained in accordance with instructions listed under "Maintenance."

Inspection

1. Visual inspection shall be made before each use of this equipment checking for leaking hydraulic fluid and worn or damaged hose and fittings.
2. Each piece of equipment shall be inspected by an authorized Hein-Werner service center immediately, if subjected to an abnormal load or shock.
3. Owners and/or users should be aware that repair of this equipment may require specialized knowledge and facilities. It is recommended that an annual inspection of this equipment be made by an authorized Hein-Werner service center and that any defective parts, decals or warning labels be replaced with genuine Hein-Werner parts. A list of authorized service centers is available from Hein-Werner.

Damaged Equipment. Any equipment which appears to be damaged in any way, is found to be badly worn, or operates abnormally SHALL BE REMOVED FROM SERVICE until necessary repairs are made by an authorized Hein-Werner service center.

BASIC PRINCIPLES OF OPERATION (See Figure 1)

1. To prepare the pump and ram for operation, remove dust covers (1 and 2) from hose coupler (3) and ram coupler (4). Connect hose coupler to ram coupler and thread retaining ring on to hold hose in position.

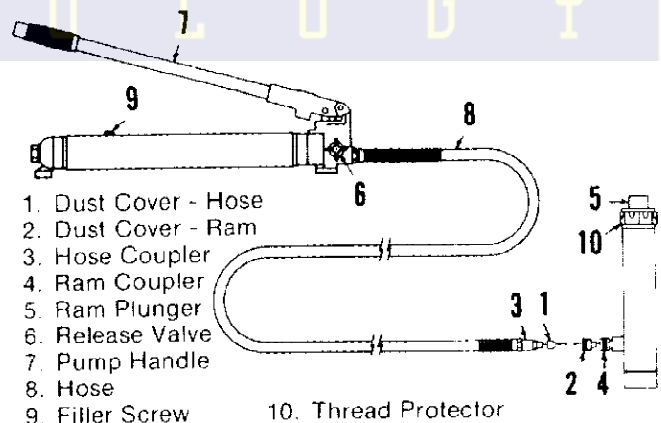


FIGURE 1

2. **Operation.** To operate - close the release valve (6) by turning clockwise until snug (do not overtighten). Operate pump handle (7) which pumps oil through hose (8) to the ram, causing the ram plunger (5) to extend until it contacts the workpiece. Continue pumping until the desired operation is completed.

NOTE: The pump is equipped with an overload valve that will by-pass (pump oil back into reservoir) when the system reaches maximum pressure. At this point, continued pumping may not lift or sustain the load.

Be careful, however, to watch for signs that the system is overloading or that the equipment setup is unstable. If shifting of attachments occurs - release the pump immediately and reposition equipment.

To release the pump and retract the ram plunger, slowly turn the release valve (6) counterclockwise. The release speed can be controlled by the amount the release valve is turned.

PUMP OPERATING POSITIONS (See Figures 2 and 3)

When the pump is used in a horizontal position, the handle must be on top as shown in figure 2. When the pump is used in a vertical position, the hose must be pointed downwards (fig. 3). Any other position will result in an inoperable system.

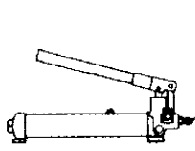


FIGURE 2

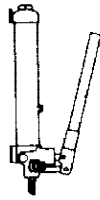


FIGURE 3

MAINTENANCE

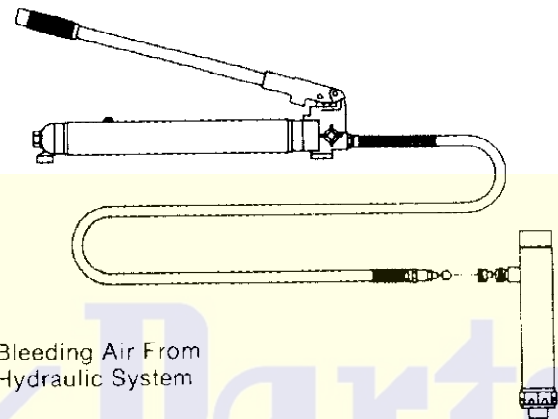
1. When the equipment is not in use, keep the ram retracted and the pump release valve closed.
2. Keep equipment clean. Lubricate moving parts on pump handle. Store in box when not in use. Avoid sharp kinks in hose.
3. Check oil level frequently. With ram fully retracted, pump must contain 8 fluid ounces of hydraulic jack oil.

Add or drain oil as necessary to maintain proper oil level. Replace filler plug. Use only Hein-Werner hydraulic jack oil. Do not use brake fluid.

OPERATION

TROUBLESHOOTING

1. Occasionally during transit or storage, or through use, the pump or ram can become low on fluid, or air can be introduced into the system causing it to become "air-bound."
2. To bleed hydraulic system - place pump in a horizontal position and place ram so that the ram plunger is pointed downward (Figure 4). The ram and hose must be lower than the pump discharge port. Open release valve fully, and pump handle full stroke 10-12 times. Close release valve. Pump to extend ram plunger fully, then release. Repeat two or three times if required.



Bleeding Air From Hydraulic System

FIGURE 4

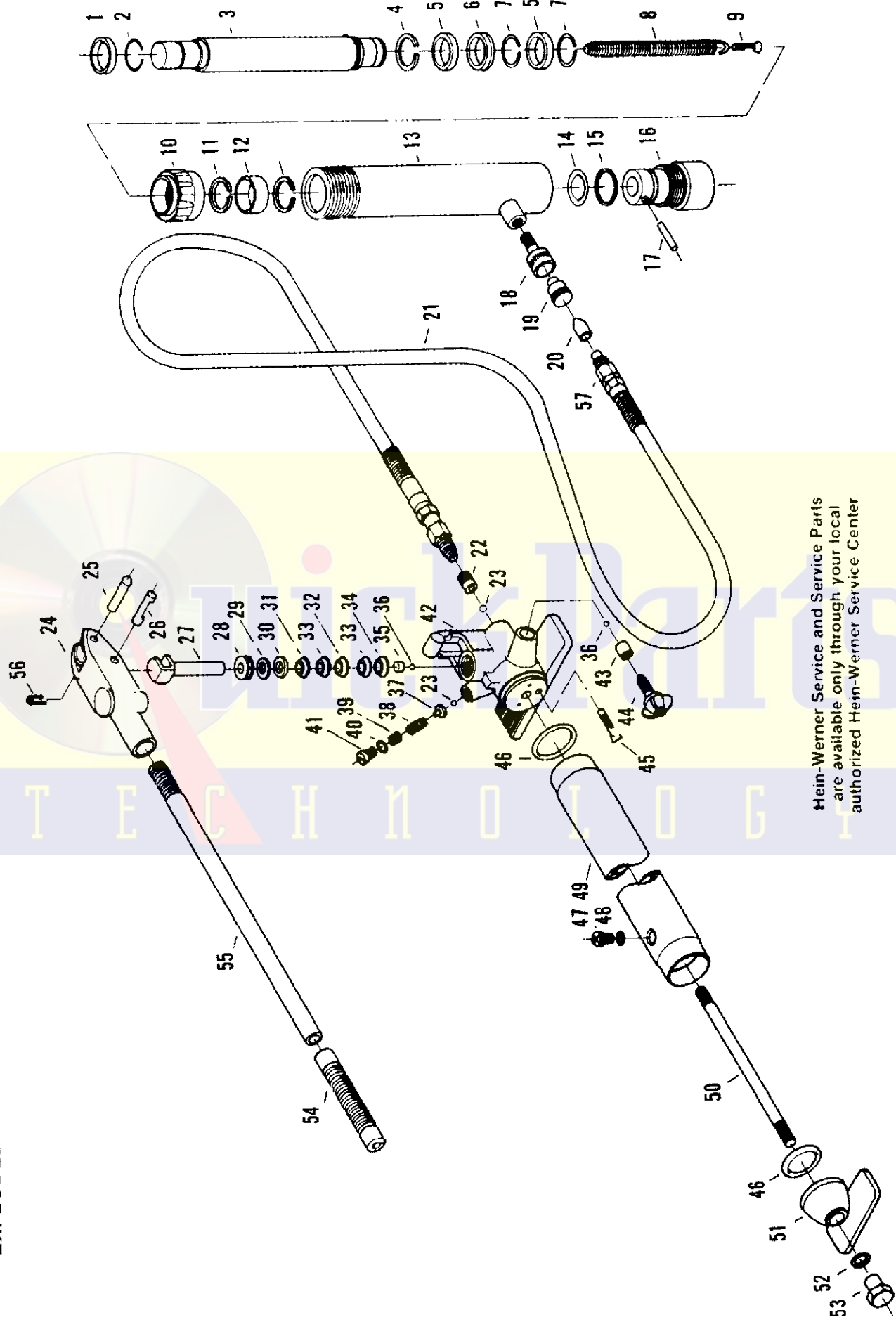
12 Ton Pump, Ram and Hose Set Part Code H68063

Item No.	Part Code	Description	Qty. Required
1	68421	Collar	1
2	64897	Snap Ring	1
3	68423	Ram Plunger	1
4	64953	Snap Ring	1
**5	68425	Bushing	2
**6	64955	"U" Cup	1
**7	64957	Snap Ring	2
8	68428	Spring	1
9	68429	Screw	1
10	63933	Thread Protector Ring	1
**11	64950	Retaining Ring	2
**12	68432	Cylinder Collar	1
13	68433	Cylinder	1
**14	16350	"O" Ring	1
**15	61487	Back-Up Ring	1
16	68436	Cylinder Base	1
17	68437	Spring Pin	1
18	69477	Quick Coupler - Female	1
19	69356	Dust Cover - Female	1
20	69291	Dust Cover - Male	1
21	67704	Hose	1
22	69298	Bolt Plug	1
23	69414	Ball 3/16"	2
24	69350	Handle Socket	1
25	69351	Pin - Socket	1
26	69292	Pin - Piston	1
27	69348	Piston	1
28	69296	Screw Adjustment	1
*29	69293	Washer	1
*30	69279	Upper Seal Base	1
*31	69294	"V" Oil Seal	1
*32	69479	"V" Oil Seal	1
*33	69278	"V" Oil Seal	2
*34	69277	Lower Seal Base	1
*35	69276	Cup Filter	1

Item No.	Part Code	Description	Qty. Required
*36	69415	Ball 1/4"	2
37	69434	Spring Cup	1
38	69281	Spring	1
39	69341	Screw	1
40	69282	"O" Ring	1
41	69342	Screw Protector	1
42	69295	Base	1
*43	69522	Packing - Release Valve	1
44	69343	Release Valve	1
45	69417	Filter	1
*46	69280	"O" Ring	2
47	69436	Filler Screw	1
*48	69437	"O" Ring	1
49	68439	Reservoir	1
50	68440	Tie Rod	1
51	69346	Bracket	1
*52	69285	"O" Ring	1
53	69347	Nut	1
54	69354	Rubber Hand Grip	1
55	69353	Handle	1
56	69409	Retaining Pin	1
57	69478	Quick Coupler - Male	1
	68441	Repair Kit - Pump Only	
	68442	Repair Kit - Ram Only	
	68479	Ram Assembly Complete (Not shown)	
	68478	Pump Assembly Complete (Not shown)	
	68581	Warning Decal - Pump (Not shown)	1
	68538	Product Decal - Pump (Not shown)	1
	68536	Product Decal - Ram (Not shown)	1

* Included in 68441 Pump Repair Kit
 ** Included in 68442 Ram Repair Kit

EXPLODED PARTS DRAWING



Hein-Werner Service and Service Parts
are available only through your local
authorized Hein-Werner Service Center.

TECHNOLOG