

INSTRUCTION MANUAL REPAIR PARTS LIST

PORTABLE CRANE W/POWER UNIT 3/4 TON (680 Kg) CAPACITY PART CODE H68060

⚠ WARNING

1. READ, STUDY, AND UNDERSTAND ALL WARNING LABELS AND OPERATING INSTRUCTIONS FURNISHED WITH THIS EQUIPMENT PRIOR TO USE. IF YOU DO NOT UNDERSTAND THE WARNINGS, CONTACT YOUR REPRESENTATIVE FOR CLARIFICATION.
2. NEVER ALLOW UNSKILLED OR IMPROPERLY TRAINED PERSONNEL TO OPERATE THIS EQUIPMENT.
3. THE CRANE MUST BE COMPLETELY AND PROPERLY ASSEMBLED AS OUTLINED IN THE INSTRUCTION MANUAL BEFORE USE.
4. THE HYDRAULIC UNIT MUST BE LOCATED CORRECTLY IN THE CLEVIS LOCATED ON MAST. THE RAM END OF THE HYDRAULIC UNIT MUST FULLY ENGAGE PIVOT CAP LOCATED ON BOOM.
5. DO NOT EXCEED LOAD CAPACITIES SPECIFIED ON THE BOOM AND LEGS FOR EACH POSITION.
6. ADJUSTABLE LEGS MUST ALWAYS BE POSITIONED SO THE CENTER OF THE WHEELS EXTEND PAST THE CENTER OF THE LOAD.
7. BOTH LEGS MUST BE EXTENDED TO AN EQUAL LENGTH. NEVER OPERATE CRANE WITH ADJUSTABLE LEGS EXTENDED PAST THE LINE MARKED ON THE LEG.
8. USE ONLY ON A HARD LEVEL SURFACE CAPABLE OF SUSTAINING THE LOAD. USE ON OTHER THAN HARD LEVEL SURFACE CAN RESULT IN CRANE INSTABILITY AND POSSIBLE LOSS OF LOAD.
9. POSITION THE LOAD AS CLOSE TO THE GROUND AS POSSIBLE PRIOR TO TRANSPORTING IT.
10. DO NOT ALLOW LOAD TO SWING OR DROP SUDDENLY WHILE MOVING OR LOWERING.
11. USE ONLY CHAINS OR SLINGS WITH A CAPACITY EQUAL TO OR GREATER THAN THAT OF THE CRANE.
12. DO NOT STAND IN BOOM'S PATH OF TRAVEL. LOSS OF LOAD MAY CAUSE BOOM TO RISE SUDDENLY.
13. BOOM MUST BE LOWERED COMPLETELY BEFORE ADDING OIL TO THE HYDRAULIC UNIT'S RESERVOIR.
14. IT IS THE OWNER'S RESPONSIBILITY TO KEEP ALL WARNING LABELS AND INSTRUCTION LITERATURE LEGIBLE AND INTACT. REPLACEMENT LABELS AND LITERATURE ARE AVAILABLE FROM THE FACTORY.
15. FAILURE TO HEED THESE WARNINGS MAY RESULT IN EQUIPMENT AND/OR PROPERTY DAMAGE AND/OR PERSONAL OR FATAL INJURY.

OWNER'S RESPONSIBILITY

Operation. The owner and/or operator shall have an understanding of these operating instructions and warnings before operating the Crane. Warning information shall be emphasized and understood. If the user is not fluent in English, the instructions and warnings shall be read to and discussed with the operator in the operator's native language by the purchaser/owner, making sure that the operator comprehends its contents.

Maintenance. The Crane shall be maintained in accordance with instructions listed under "Maintenance."

Inspection

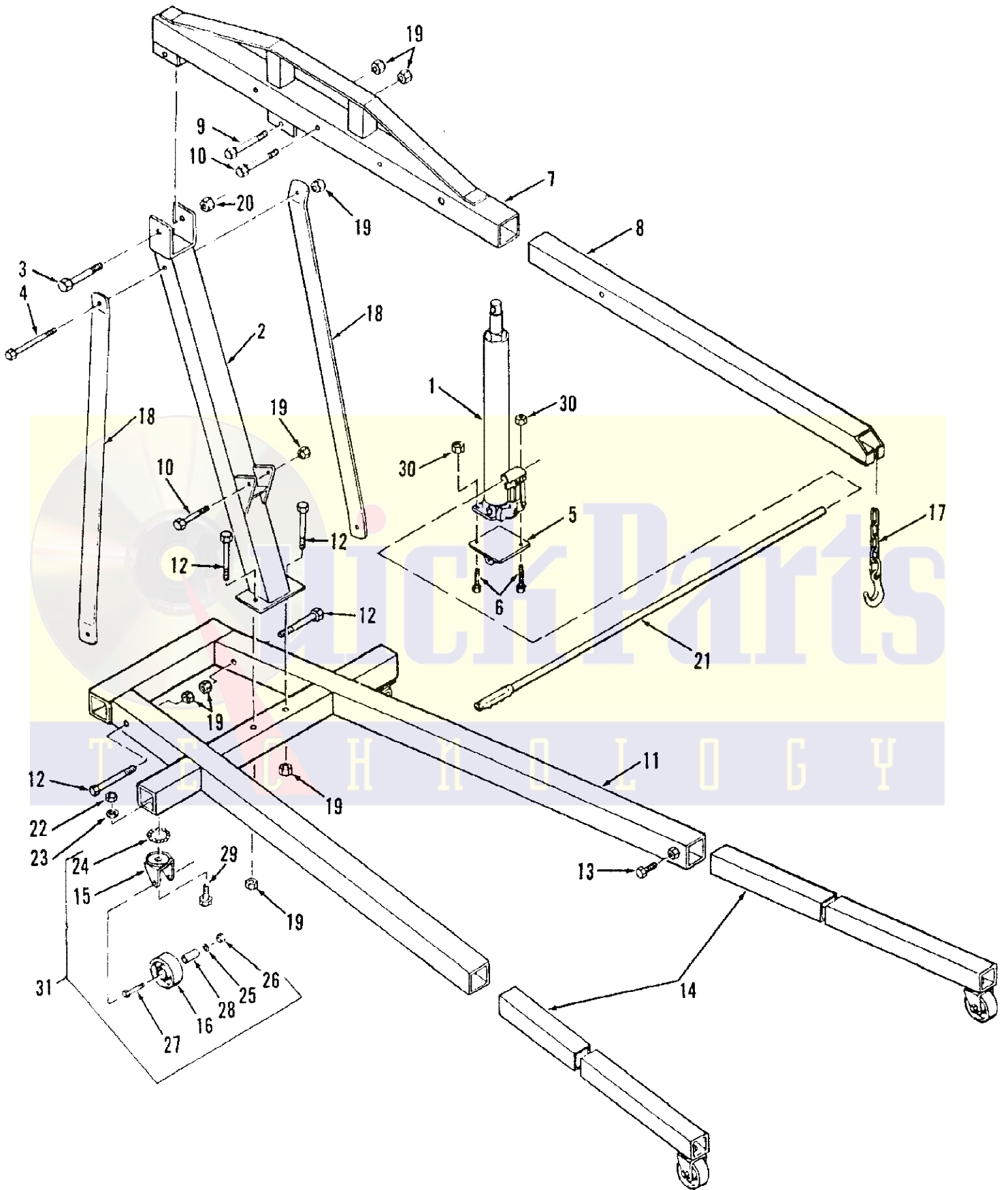
1. Visual inspection shall be made before each use of the Crane, checking for leaking hydraulic fluid, and damaged, loose or missing parts.
2. Each Crane, if subjected to an abnormal load or shock, shall be inspected immediately by an authorized Hein-Werner service center.
3. Owners and/or users should be aware that repair of this equipment may require specialized knowledge and facilities. It is recommended that an annual inspection of the Crane be made by an authorized service center and that any defective parts, decals or warning labels be replaced with genuine Hein-Werner parts. A list of authorized service centers is available upon request.

Damaged Equipment. Any Crane which appears to be damaged in any way, is found to be badly worn, or operates abnormally SHALL BE REMOVED FROM SERVICE until necessary repairs are made by an authorized service center.

ASSEMBLY

Refer to parts illustration for item numbers and detail of assembly methods.

1. Install wheels (item 16) to base frame (item 11) using bushings, bolts, lockwashers and hex nuts (items 25, 26, 27 and 28) as illustrated.
2. Attach mast (item 2) to base frame (item 11) using 2 bolts and nuts (items 12 and 19). Mast must lean towards the rear of the base frame as shown. Leave nuts finger tight.
3. Attach (2) struts (item 18) to mast with bolt and nut (items 4 and 19). Leave nut finger tight.
4. Attach struts to base frame using 2 each bolts and nuts (items 12 and 19). Note: Struts assemble to outside of base frame.
5. Tighten mast to base frame, strut to mast, and strut to base frame bolts.
6. Install hydraulic unit (item 1) to the mounting base (item 5) with 2 bolts and nuts (items 6 and 30).
7. Position hydraulic unit with base between mounting ears on mast, and attach using bolt and nut (items 10 and 19). Note that handle socket of hydraulic unit must face the front of the base frame as shown. Tighten nut. Lean hydraulic unit assembly back against mast.
8. Connect boom (item 7) to mast using bolt and nut (items 3 and 20). Tighten nut.



9. Hold boom and pivot hydraulic unit out away from mast, and position ram between mounting brackets on boom. Attach hydraulic unit to boom with bolt and nut (items 9 and 19). Tighten nut.
10. Slide boom extension (item 8) into boom, and secure in retracted position using bolt and nut (items 10 and 19).
11. Insert two base extension legs (item 14) into base frame, approximately half way. Secure using 2 bolts (item 13).
12. Attach chain and hook assembly (item 17) to boom extension by hooking link into slot. Chain can be installed at various lengths to accommodate lifting requirements.
13. Check all bolts and nuts for tightness, including those pre-assembled at the factory. Tighten where required.

MAINTENANCE

Check periodically to insure tightness of all bolts and nuts. Lubricate wheels and caster bearings as required to

keep them moving freely. Keep a light coat of oil on the hydraulic unit ram.

OPERATION

1. Adjust boom length to reach the load. Always use the shortest amount of extension possible for maximum stability.
2. Extend legs as necessary to position the wheels past the center of the load. It is suggested that the legs be extended to maximum allowable length as indicated by the mark on the leg whenever possible, as this provides the most stable condition.
3. To raise, turn release lever fully clockwise, insert handle in handle socket, and pump handle.
4. To lower, turn release lever counterclockwise slowly. Lowering speed is controlled by the amount lever is opened.
5. When transporting a load, always lower the boom to position the load as close to the floor as possible.



H68060 PARTS LIST (3/4 TON CRANE W/POWER UNIT)

Item No.	Part Code	Description	Qty. Required
1	H6847500	Hydraulic Unit	1
2	H6865000	Mast	1
3	H6865100	Bolt 5/8-11 x 3-3/4 (Grade #5)	1
4	H6865200	Bolt 1/2-13 x 3-7/16 (Grade #5)	1
5	H6865300	Hydraulic Unit Base	1
6	H6865400	Bolt 5/16-24 x 1 (Grade #5)	2
7	H6865500	Boom Assy.	1
8	H6865600	Boom Extension Assy.	1
9	H6865700	Bolt 1/2-13 x 2-1/4 (Grade #5)	1
10	H6865800	Bolt 1/2-13 x 2-3/4 (Grade #5)	2
11	H6865900	Frame Assy.	1
12	H6866000	Bolt 1/2-13 x 3-1/4 (Grade #5)	4
13	H6866100	Bolt 1/2-13 x 7/8	2
14	H6866200	Base Ext. Leg	2
15	H6866300	Caster Bracket	4
16	H6866400	Wheel	4

Item No.	Part Code	Description	Qty. Required
17	H6866500	Hook & Chain Assy.	1
18	H6866600	Strut	2
19	H6866700	Hex Nut 1/2-13	10
20	H6866800	Hex Nut 5/8-11	1
21	H6866900	Handle	1
22	H6866700	Hex Nut 1/2-13	4
23	H6874400	Lock Washer 1/2	4
24	H6874300	Ball Bearing (Set of 19)	4
25	H6861600	Lock Washer 3/8	4
26	H6861700	Hex Nut 3/8-16	4
27	H6861500	Bolt 3/8-16 x 2-3/8 (Grade #5)	4
28	H6861800	Bushing	4
29	H6874200	Bolt 1/2-13 x 1-1/2 (Grade #5)	4
30	H6874500	Hex Nut 5/16-24	2
31	H6862000	Caster Assy.	4
Includes items 15,16,24,25,26,27, 28 and 29			