



INSTRUCTION MANUAL REPAIR PARTS LIST

UNDER HOIST STAND 3/4 TON (680 Kg) CAPACITY

PART CODE H68056 (With Pedal)

PART CODE H68055 (Without Pedal)

 **WARNING** 

THIS UNIT IS AN ACCESSORY STAND ONLY AND IS NOT DESIGNED OR INTENDED TO SUPPORT VEHICLES. DO NOT OVERLOAD STAND. PLACE LOAD ON CENTER OF SADDLE ONLY. USE ONLY ON HARD LEVEL SURFACES CAPABLE OF SUPPORTING THE LOAD. LOADED STAND MUST BE STABLE BEFORE PROCEEDING WITH WORK. DO NOT ROTATE ADJUSTING HANDLE OR ACTIVATE PEDAL TO THE POINT THE STAND LIFTS THE VEHICLE OFF THE HOIST. IT IS THE OWNER'S RESPONSIBILITY TO INSURE THIS WARNING DECAL IS INTACT AND LEGIBLE. REPLACEMENT DECALS CAN BE OBTAINED FROM HEIN-WERNER CORPORATION. FAILURE TO HEED THESE WARNINGS MAY RESULT IN PERSONAL INJURY OR PROPERTY DAMAGE.

shall be emphasized and understood. If the user is not fluent in English, the instructions and warnings shall be read to and discussed with the operator in the operator's native language by the purchaser/owner, making sure that the operator comprehends its contents.

OPERATION. (See Illustration, Page 2)

To Raise: Hold saddle (item 1) and rotate adjusting handle (item 4) clockwise until saddle contacts load. Release saddle and continue turning handle to lift load as required.

To Lower: Rotate handle counterclockwise.

To Use Foot Pedal: (Model 68056 only.) Depressing foot pedal (item 13) raises saddle 1 inch.

OWNER'S RESPONSIBILITY

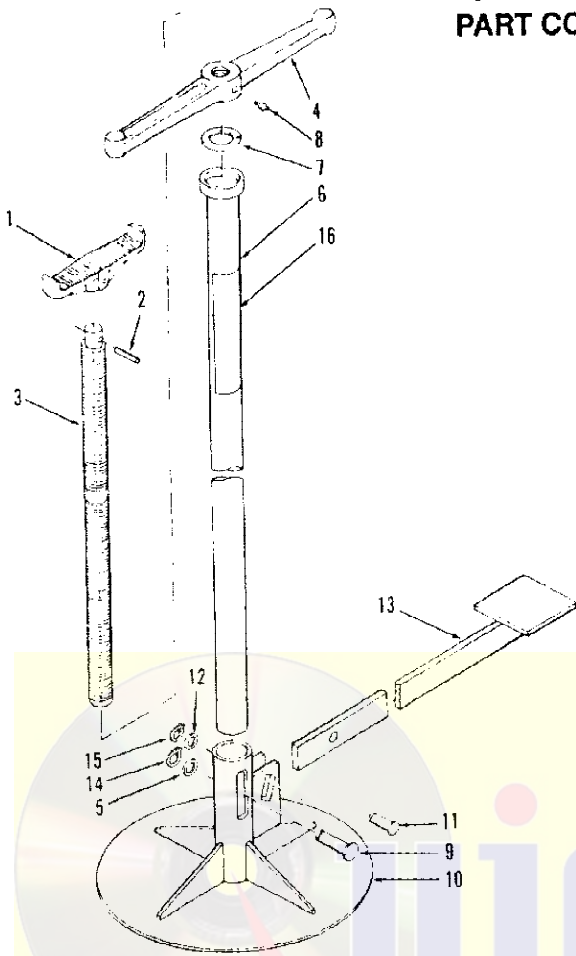
Operation. The owner and/or operator shall have an understanding of these operating instructions and warnings before operating this product. Warning information

MAINTENANCE. (See Illustration, Page 2)

Lubricate adjusting handle fitting with general purpose grease. Oil foot pedal pivots on model 68056.

T E C H N O L O G Y

**3/4 TON UNDER HOIST STAND
PART CODE H68056 (With Pedal)**



Item No.	Part Code	Description	Qty. Required
1	68482	Saddle	1
2	68483	Roll Pin	1
3	68484	Extension Screw	1
4	68490	Adjustment Level	1
5	68486	Washer	2
6	68487	Support Tube	1
7	68488	Bearing Spacer	1
8	68489	Grease Fitting	1
9	68485	Pin	1
10	68491	Base	1
11	68492	Pin	1
12	68493	Washer	2
13	68494	Pedal	1
14	68495	Retaining Ring	2
15	68496	Retaining Ring	2
16	68514	Product/Warning Decal	1

**PART CODE H68055
(Without Pedal)**

Item No.	Part Code	Description	Qty. Required
1	68482	Saddle	1
2	68483	Roll Pin	1
3	68484	Extension Screw	1
4	68490	Adjustment Level	1
5	68489	Grease Fitting	1
6	68488	Bearing Spacer	1
7	68497	Support Tube	1
8	68513	Product/Warning Decal	1

