



INSTRUCTION MANUAL REPAIR PARTS LIST

HYDRAULIC SERVICE JACK

2 TON (1815 KG) CAPACITY

PART CODE H68054

WARNING

1. THIS IS A LIFTING DEVICE ONLY. THE LOAD MUST BE SUPPORTED IMMEDIATELY BY OTHER APPROPRIATE MEANS.
2. DO NOT MOVE OR DOLLY THE VEHICLE WHILE ON THE JACK.
3. DO NOT OVERLOAD. LIFT THE VEHICLE ONLY AT AREAS SPECIFIED BY THE MANUFACTURER.
4. USE ONLY ON HARD LEVEL SURFACE CAPABLE OF SUSTAINING THE LOAD.
5. CENTER LOAD ON SADDLE.
6. DO NOT OPEN OIL FILLER PLUG FOR ANY REASON UNLESS JACK IS FULLY LOWERED.
7. IT IS YOUR RESPONSIBILITY TO KEEP WARNING DECALS LEGIBLE AND INTACT. REPLACEMENT DECALS MAY BE OBTAINED FROM THE FACTORY.
8. STUDY, UNDERSTAND, AND FOLLOW ALL INSTRUCTIONS PROVIDED WITH THIS JACK PRIOR TO OPERATION.
9. FAILURE TO HEED THESE WARNINGS MAY RESULT IN LOSS OF LOAD, DAMAGE TO THE JACK, OR FAILURE RESULTING IN PROPERTY DAMAGE, PERSONAL, OR FATAL INJURY.

Damaged Jacks. Any jack which appears to be damaged in any way, is found to be badly worn, or operates abnormally SHALL BE REMOVED FROM SERVICE until necessary repairs are made by an authorized service center.

INSTRUCTIONS BEFORE USE

(Refer to parts illustration)

1. To prevent hydraulic fluid loss during shipment, the air vent/filler plug is closed at the factory. Prior to use, remove cover (item 4) and open air vent/filler plug (item 50) 1/2 turn counterclockwise. Replace cover.
2. Occasionally hydraulic jacks become airbound during shipment, and will not function properly. To correct this condition:
 - a. Insert handle into release valve (item 32), and turn counterclockwise. (Do not open release valve more than 3 turns.)
 - b. Place handle in handle socket (item 20) and pump handle 6-8 full strokes to purge air from the hydraulic system.
 - c. Repeat as required.
3. Thoroughly lubricate all moving parts of the jack. Raise the saddle to full height by closing release valve and pumping handle. Oil the surface of the ram as well as all moving parts in the handle and lifting mechanism.

OWNER'S RESPONSIBILITY

Operation. The owner and/or operator shall have an understanding of these operating instructions and warnings before operating the jack. Warning information shall be emphasized and understood. If the user is not fluent in English, the instructions and warnings shall be read to and discussed with the operator in the operator's native language by the purchaser/owner, making sure that the operator comprehends its contents.

Maintenance. The jack shall be maintained in accordance with instructions listed under "Maintenance."

Inspection

1. Visual inspection shall be made before each use of the jack, checking for leaking hydraulic fluid, and damaged, loose or missing parts.
2. Each jack, if subjected to an abnormal load or shock, shall be inspected immediately by an authorized Hein-Werner service center.
3. Owners and/or users should be aware that repair of this equipment may require specialized knowledge and facilities. It is recommended that an annual inspection of the jack be made by an authorized service center and that any defective parts, decals or warning labels be replaced with genuine Hein-Werner parts. A list of authorized service centers is available upon request.

OPERATION

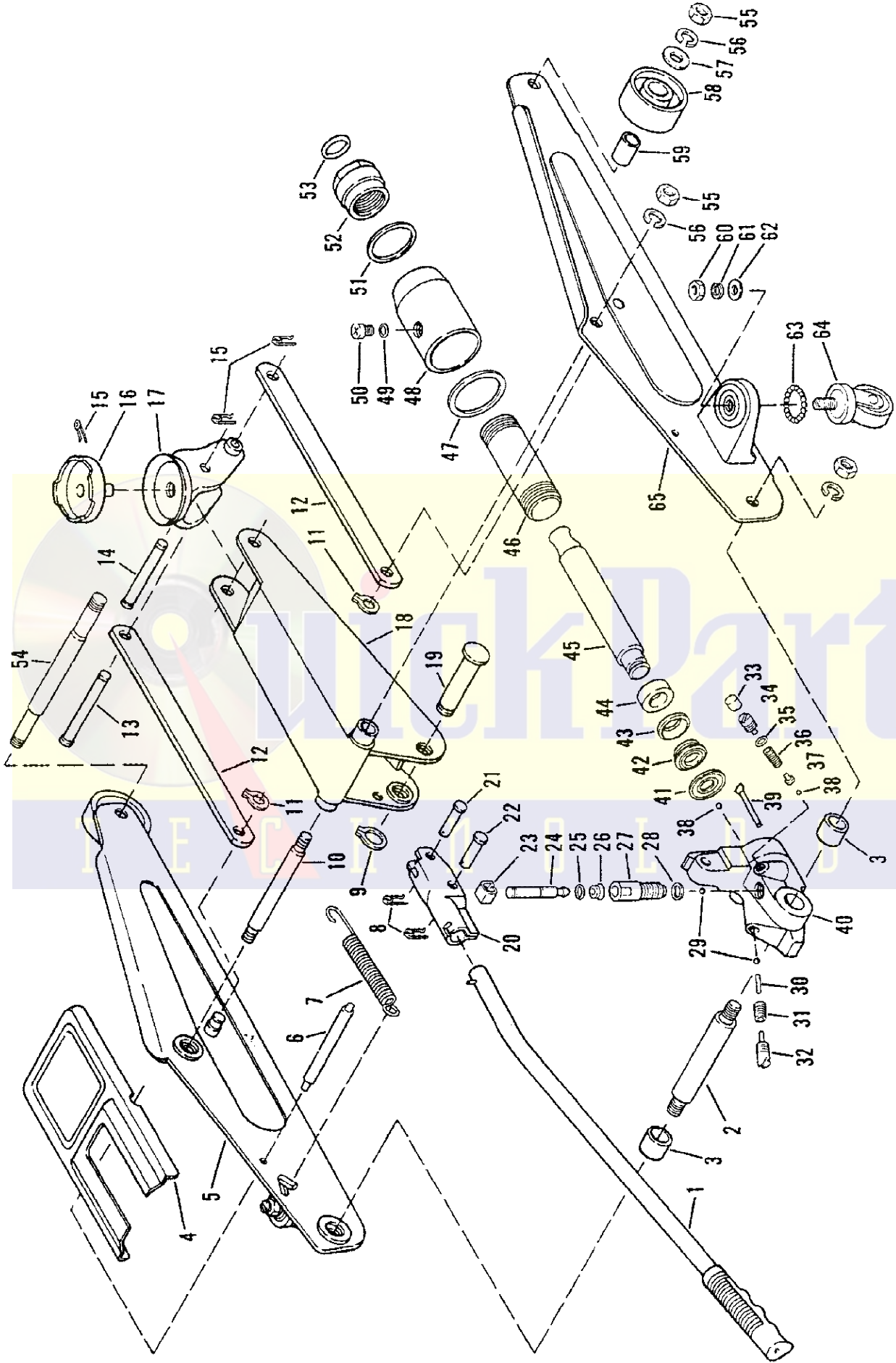
1. **Lifting** - Secure vehicle by blocking wheels. Close release valve by turning handle clockwise. Dolly jack until lift saddle is centered under load and pump handle.

Always center the load on the saddle of your jack. Off-center loads and loads lifted while jack is not level may damage the jack or cause personal injury.
2. **Lowering** — Insert handle in release valve and slowly turn handle counterclockwise. **Avoid "shock loads" created by quickly opening and closing the release as the load is being lowered. This may result in overloading of the hydraulic circuit and possible damage to the jack.**

MAINTENANCE

1. Regularly check oil level. Use only genuine Hein-Werner hydraulic jack oil in the unit of your jack. Never use alcohol or hydraulic brake fluid.

To check oil level, jack must be at rest, saddle fully down. Remove air vent/filler plug and inspect oil level. Level should be between 3/16" and 1/4" below filler hole.
2. Keep the jack clean and well lubricated. Raise the saddle to full height and oil the surface of the ram often, as well as all moving parts in the pump piston and the lifting mechanism.



PART CODE H68054

2 TON HYDRAULIC SERVICE JACK

2 TON HYDRAULIC SERVICE JACK PART CODE H68054

Item No.	Part Code	Description	Qty. Required	Item No.	Part Code	Description	Qty. Required
1	69429	Handle	1	*36	69432	Spring Overload Valve	1
2	69442	Hyd. Unit Pivot Pin	1	37	69434	Spring Cap	1
3	69443	Spacer	2	*38	69414	Ball 3/16"	2
4	68639	Cover	1	*39	69417	Filter	1
5	68638	Side Plate L.H.	1	40	69416	Base	1
6	69463	Frame Tie Rod	1	*41	69427	Copper Washer	1
7	68641	Return Spring	1	*42	69401	U-Cup Ram	1
8	69409	Retaining Pin	2	*43	69403	Back-Up Washer	1
9	69452	Retaining Ring	1	44	69402	Ram Spacer	1
10	69451	Main Pivot Pin	1	45	69400	Ram Plunger	1
11	69453	Retaining Ring	2	46	69426	Cylinder	1
12	69458	Parallel Link	2	*47	69425	Gasket Reservoir	1
13	68642	Pin-Parallel Link	1	48	69423	Reservoir	1
14	68643	Pin Saddle Holder	1	*49	69437	"O" Ring Filler Screw	1
15	69459	Retaining Pin	3	50	69436	Filler Screw	1
16	68644	Saddle	1	*51	69424	Gasket Top Nut	1
17	68645	Saddle Holder	1	52	69421	Top Nut	1
18	68646	Lift Arm Assy.	1	*53	69422	"O" Ring Top Nut	1
19	68647	Cross Head Pin	1	54	69461	Front Axle	6
20	69404	Handle Sleeve	1	55	69447	Nut	6
21	69405	Pivot Pin Handle	1	56	69448	Spring Lock Washer	6
22	69408	Pin Pump Piston	1	57	69444	Plain Washer	2
23	69410	Pump Piston Clip	1	58	69460	Front Wheel	2
24	69406	Pump Piston	1	59	69462	Bushing Wheel	2
25	69411	"O" Ring Piston	1	60	69469	Nut	2
*26	69407	U-Cup Piston	1	61	69468	Spring Lock Washer	2
27	69412	Pump Cylinder	1	62	69466	Plain Washer	2
28	69413	Washer	1	63	69470	Ball	38
*29	69415	Ball 1/4"	2	64	69464	Rear Castor Assy.	2
30	69419	Spacer Release Valve	1	65	68648	Side Plate R.H.	1
*31	69420	Packing Release Valve	1		68649	Repair Kit (Not shown)	1
32	69418	Release Valve	1		68592	Product Decal/Warning (English) (Not shown)	1
33	69435	Valve Cap	1		68593	Product Decal/Warning (French) (Not shown)	1
34	69431	Screw Overload Valve	1				
*35	69433	"O" Ring Overload Screw	1				

*Included in 68649 Repair Kit