



INSTRUCTION MANUAL REPAIR PARTS LIST

HAND JACKS

8 Ton (7258 Kg) Capacity Part Code H68029

12 Ton (10886 Kg) Capacity Part Code H68030

12 Ton "Shorty" (10886 Kg) Capacity Part Code H68031

20 Ton (18144 Kg) Capacity Part Code H68033

20 Ton "Shorty" (18144 Kg) Capacity Part Code H68034

WARNING

1. THIS IS A LIFTING DEVICE ONLY. THE LOAD MUST BE SUPPORTED IMMEDIATELY BY OTHER APPROPRIATE MEANS.
2. DO NOT EXCEED RATED CAPACITY.
3. USE ONLY ON HARD LEVEL SURFACE CAPABLE OF SUSTAINING LOAD.
4. CENTER LOAD ON SADDLE.
5. IT IS YOUR RESPONSIBILITY TO KEEP WARNING DECALS LEGIBLE AND INTACT. REPLACEMENT DECALS MAY BE OBTAINED FROM THE FACTORY.
6. STUDY, UNDERSTAND, AND FOLLOW ALL INSTRUCTIONS PROVIDED WITH THIS JACK PRIOR TO OPERATION.
7. FAILURE TO HEED THESE WARNINGS MAY RESULT IN LOSS OF LOAD, DAMAGE TO JACK, OR FAILURE RESULTING IN PROPERTY DAMAGE, PERSONAL, OR FATAL INJURY.

OWNER'S RESPONSIBILITY

Operation. The owner and/or operator shall have an understanding of these operating instructions and warnings before operating the jack. Warning information shall be emphasized and understood. If the user is not fluent in English, the instructions and warnings shall be read to and discussed with the operator in the operator's native language by the purchaser/owner, making sure that the operator comprehends its contents.

Maintenance. The jack shall be maintained in accordance with instructions listed under "Maintenance."

Inspection

1. Visual inspection shall be made before each use of the jack, checking for leaking hydraulic fluid, and damaged, loose or missing parts.
2. Each jack shall be inspected by an authorized Hein-Werner service center immediately, if subjected to an abnormal load or shock
3. Owners and/or users should be aware that repair of this equipment may require specialized knowledge

and facilities. It is recommended that an annual inspection of the jack be made by an authorized Hein-Werner service center and that any defective parts, decals or warning labels be replaced with genuine Hein-Werner parts. A list of authorized service centers is available from Hein-Werner.

Damaged Jacks. Any jack which appears to be damaged in any way, is found to be badly worn, or operates abnormally SHALL BE REMOVED FROM SERVICE until necessary repairs are made by an authorized Hein-Werner service center.

INSTRUCTIONS BEFORE USE

1. **Check oil level.** With the jack in an upright position and the ram completely retracted, open release valve by turning release assembly counterclockwise. Remove filler plug - the oil should be just up to the hole. Fill if necessary with clean Hein-Werner hydraulic jack oil. Never use motor oil or brake fluid.
2. **Lubricate internal components.** With release valve open, pump handle six full strokes to assure proper internal lubrication.
3. **Bleed hydraulic system.** During transit hydraulic jacks may become "air-bound," causing spongy ram action. To bleed the hydraulic system -- close the release valve by turning clockwise. Insert handle in socket and pump jack up to full height. Open the release valve, invert the jack and force the ram to retract.

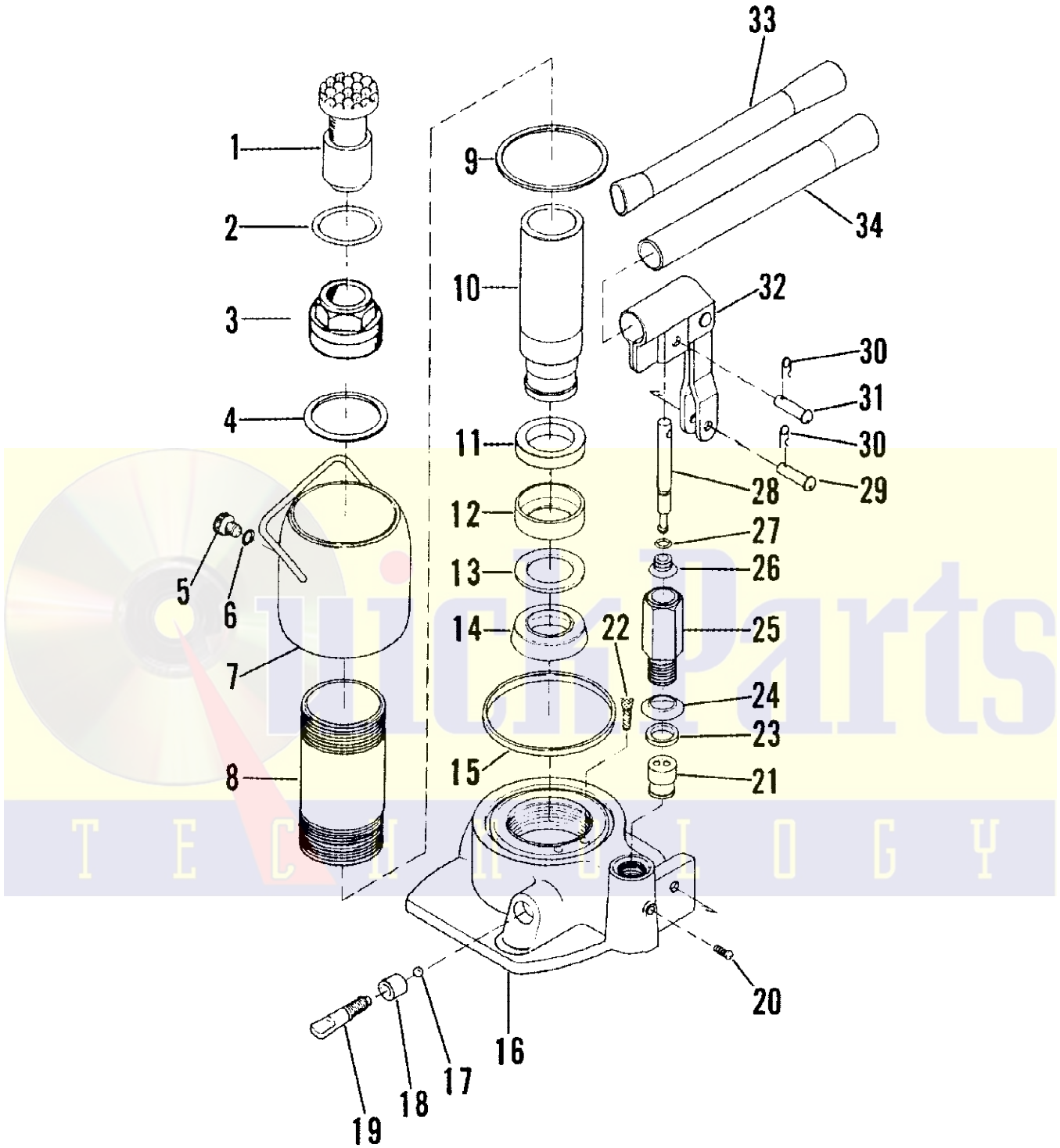
OPERATING INSTRUCTIONS

1. **Lifting.** Turn release assembly clockwise to close release valve. Position jack where desired and adjust extension screw if necessary, being sure that load is centered. Insert handle in socket and pump handle until load is desired height.

WARNING

USE JACK FOR LIFTING ONLY. LOAD MUST BE SUPPORTED IMMEDIATELY BY OTHER APPROPRIATE MEANS.

2. **Lowering.** Open release valve by **slowly** turning release assembly counterclockwise.



MAINTENANCE

1. When jack is not in use, keep the ram and extension screw completely retracted and the release valve closed.
2. Keep the jack clean. Occasionally lubricate the handle socket pivot point, extension screw, and release screw thread.

3. Frequently check oil level. For procedure see "Instructions Before Use."

PARTS LIST — HEIN-WERNER HAND JACKS

No.	Parts Description	8 Ton (68029)	12 Ton (68030)	12 Ton SHORT (68031)	20 Ton (68033)	20 Ton SHORT (68034)
1	Extension Screw Assembly	69585	69600	69616	--	69635
2	O-Ring (Top Nut)	69595*	69610*	69610*	68498	69629*
3	Top Nut	69592	69607	68101	69626	68102
4	Gasket (Upper)	69596*	69611*	69611*	69630*	69630*
5	Filler Plug	69530*	69530*	69436	69530*	69436
6	O-Ring	--	--	69437	--	69437
7	Reservoir	69593	69608	69618	69627	69638
8	Ram Cylinder	68917	68918	68919	68920	68921
9	Seal Cylinder	69598*	69613*	69613*	69632*	69632*
10	Ram Plunger Assembly	68922	68923	68924	68925	68926
11	Ram Bearing	68103	68104	68104	68105	69622
12	Brass Bushing	--	--	--	68106	68106
13	Back-Up Washer	69590	69605	69605	69624	69624
14	U-Cup (Ram)	69589*	69604*	69604*	69623*	69623*
15	Gasket (Lower)	69597*	69612*	69612*	69631*	69631*
16	Base	69591	69606	69616	69625	69625
17	Ball 1/4	69415*	69415*	69415*	69415*	69415*
18	Packing (Release Screw)	69522*	69522*	69522*	69522*	69522*
19	Release Screw	69521	69521	69521	69521	69521
20	Valve Plug	69520	69520	69520	69520	69520
21	Hydraulic Cartridge	69548	69548	69548	69548	69548
22	Filter	68100	68100	68100	68100	68100
23	Packing (Pump)	69547*	69547*	69547*	69547*	69547*
24	Washer	69546	69546	69546	69546	69546
25	Pump Cylinder	69545	69545	69545	69545	69545
26	U-Cup (Piston)	69509*	69509*	69509*	69509*	69509*
27	O-Ring (Piston)	69513*	69513*	69513*	69513*	69513*
28	Pump (Piston)	69543	69543	69543	69543	69543
29	Pin (Links)	69510	69510	69510	69510	69510
30	Retaining Ring (2)	69512	69512	69512	69512	69512
31	Pin (Handle Socket)	69643	69643	69643	69643	69643
32	Handle Socket Assembly	69552	69552	69552	69552	69552
33	Handle (Upper)	69549	69549	69549	69549	69549
34	Handle (Lower)	69550	69550	69550	69550	69550
35	Warning Decal	69583	69583	69539	69583	69539
36	Product Decal	68107	69615	69620	69634	69640
	Service Kit	69664	69665	69665	69666	69666

*Service Kit Contents