



INSTRUCTION MANUAL REPAIR PARTS LIST

HAND JACKS

8 Ton (7258 Kg) Capacity Part Code H68029

12 Ton (10886 Kg) Capacity Part Code H68030

12 Ton "Shorty" (10886 Kg) Capacity Part Code H68031

20 Ton (18144 Kg) Capacity Part Code H68033

20 Ton "Shorty" (18144 Kg) Capacity Part Code H68034

WARNING

1. **THIS IS A LIFTING DEVICE ONLY. THE LOAD MUST BE SUPPORTED IMMEDIATELY BY OTHER APPROPRIATE MEANS.**
2. **DO NOT EXCEED RATED CAPACITY.**
3. **USE ONLY ON HARD LEVEL SURFACE CAPABLE OF SUSTAINING LOAD.**
4. **CENTER LOAD ON SADDLE.**
5. **IT IS YOUR RESPONSIBILITY TO KEEP WARNING DECALS LEGIBLE AND INTACT. REPLACEMENT DECALS MAY BE OBTAINED FROM THE FACTORY.**
6. **STUDY, UNDERSTAND, AND FOLLOW ALL INSTRUCTIONS PROVIDED WITH THIS JACK PRIOR TO OPERATION.**
7. **FAILURE TO HEED THESE WARNINGS MAY RESULT IN LOSS OF LOAD, DAMAGE TO JACK, OR FAILURE RESULTING IN PROPERTY DAMAGE, PERSONAL, OR FATAL INJURY.**

OWNER'S RESPONSIBILITY

Operation. The owner and/or operator shall have an understanding of these operating instructions and warnings before operating the jack. Warning information shall be emphasized and understood. If the user is not fluent in English, the instructions and warnings shall be read to and discussed with the operator in the operator's native language by the purchaser/owner, making sure that the operator comprehends its contents.

Maintenance. The jack shall be maintained in accordance with instructions listed under "Maintenance."

Inspection

1. Visual inspection shall be made before each use of the jack, checking for leaking hydraulic fluid, and damaged, loose or missing parts.
2. Each jack shall be inspected by an authorized Hein-Werner service center immediately, if subjected to an abnormal load or shock
3. Owners and/or users should be aware that repair of this equipment may require specialized knowledge

and facilities. It is recommended that an annual inspection of the jack be made by an authorized Hein-Werner service center and that any defective parts, decals or warning labels be replaced with genuine Hein-Werner parts. A list of authorized service centers is available from Hein-Werner.

Damaged Jacks. Any jack which appears to be damaged in any way, is found to be badly worn, or operates abnormally **SHALL BE REMOVED FROM SERVICE** until necessary repairs are made by an authorized Hein-Werner service center.

INSTRUCTIONS BEFORE USE

1. **Check oil level.** With the jack in an upright position and the ram completely retracted, open release valve by turning release assembly counterclockwise. Remove filler plug - the oil should be just up to the hole. Fill if necessary with clean Hein-Werner hydraulic jack oil. Never use motor oil or brake fluid.
2. **Lubricate internal components.** With release valve open, pump handle six full strokes to assure proper internal lubrication.
3. **Bleed hydraulic system.** During transit hydraulic jacks may become "air-bound," causing spongy ram action. To bleed the hydraulic system -- close the release valve by turning clockwise. Insert handle in socket and pump jack up to full height. Open the release valve, invert the jack and force the ram to retract.

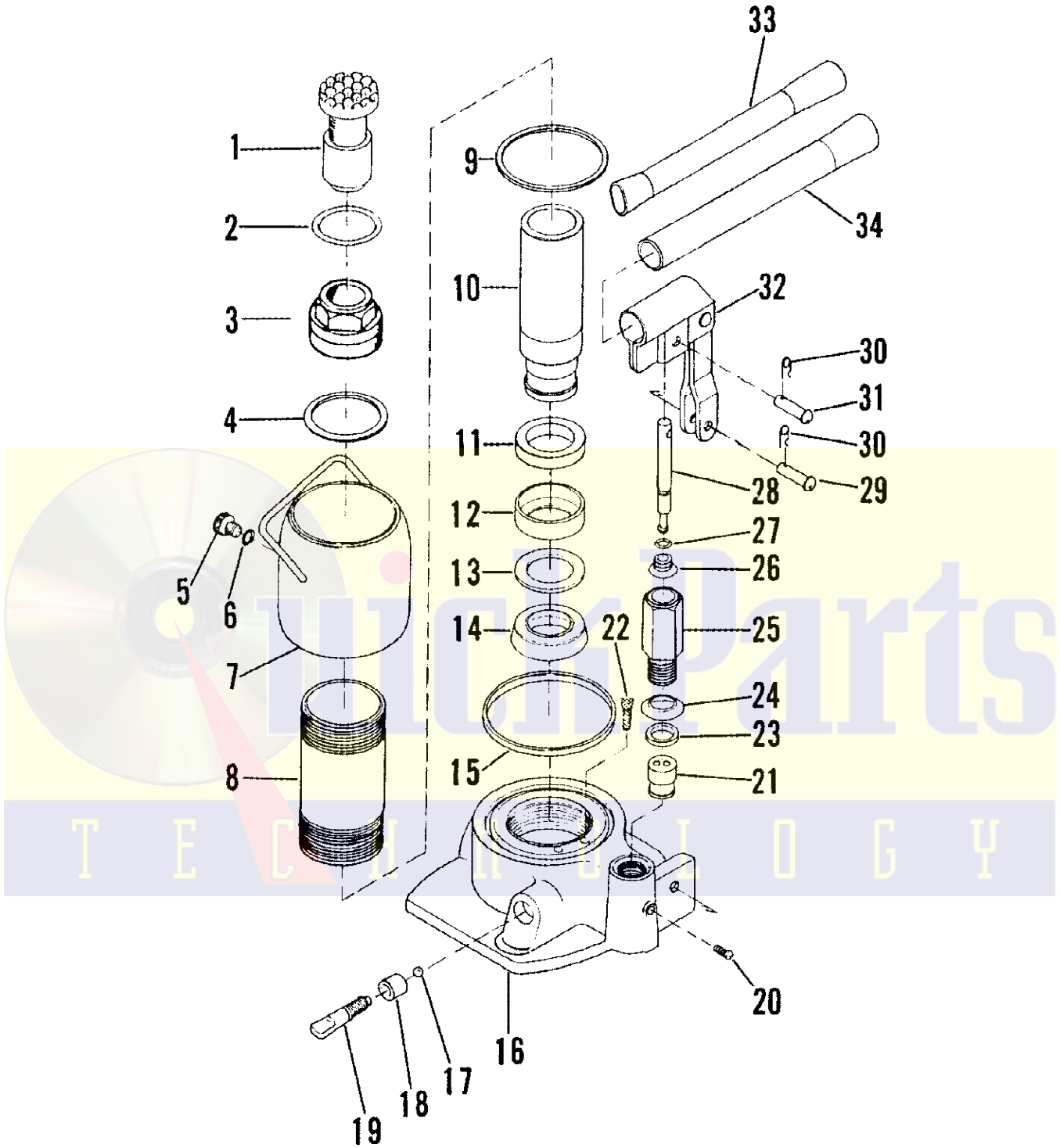
OPERATING INSTRUCTIONS

1. **Lifting.** Turn release assembly clockwise to close release valve. Position jack where desired and adjust extension screw if necessary, being sure that load is centered. Insert handle in socket and pump handle until load is desired height.

WARNING

USE JACK FOR LIFTING ONLY. LOAD MUST BE SUPPORTED IMMEDIATELY BY OTHER APPROPRIATE MEANS.

2. **Lowering.** Open release valve by **slowly** turning release assembly counterclockwise.



MAINTENANCE

1. When jack is not in use, keep the ram and extension screw completely retracted and the release valve closed.
2. Keep the jack clean. Occasionally lubricate the handle socket pivot point, extension screw, and release screw thread.

3. Frequently check oil level. For procedure see "Instructions Before Use."

PARTS LIST — HEIN-WERNER HAND JACKS

| No. | Parts Description | 8 Ton (68029) | 12 Ton (68030) | 12 Ton SHORT (68031) | 20 Ton (68033) | 20 Ton SHORT (68034) |
|-----|--------------------------|---------------------|----------------------|-------------------------------|----------------------|-------------------------------|
| 1 | Extension Screw Assembly | 69585 | 69600 | 69616 | -- | 69635 |
| 2 | O-Ring (Top Nut) | 69595* | 69610* | 69610* | 68498 | 69629* |
| 3 | Top Nut | 69592 | 69607 | 68101 | 69626 | 68102 |
| 4 | Gasket (Upper) | 69596* | 69611* | 69611* | 69630* | 69630* |
| 5 | Filler Plug | 69530* | 69530* | 69436 | 69530* | 69436 |
| 6 | O-Ring | -- | -- | 69437 | -- | 69437 |
| 7 | Reservoir | 69593 | 69608 | 69618 | 69627 | 69638 |
| 8 | Ram Cylinder | 68917 | 68918 | 68919 | 68920 | 68921 |
| 9 | Seal Cylinder | 69598* | 69613* | 69613* | 69632* | 69632* |
| 10 | Ram Plunger Assembly | 68922 | 68923 | 68924 | 68925 | 68926 |
| 11 | Ram Bearing | 68103 | 68104 | 68104 | 68105 | 69622 |
| 12 | Brass Bushing | -- | -- | -- | 68106 | 68106 |
| 13 | Back-Up Washer | 69590 | 69605 | 69605 | 69624 | 69624 |
| 14 | U-Cup (Ram) | 69589* | 69604* | 69604* | 69623* | 69623* |
| 15 | Gasket (Lower) | 69597* | 69612* | 69612* | 69631* | 69631* |
| 16 | Base | 69591 | 69606 | 69616 | 69625 | 69625 |
| 17 | Ball 1/4 | 69415* | 69415* | 69415* | 69415* | 69415* |
| 18 | Packing (Release Screw) | 69522* | 69522* | 69522* | 69522* | 69522* |
| 19 | Release Screw | 69521 | 69521 | 69521 | 69521 | 69521 |
| 20 | Valve Plug | 69520 | 69520 | 69520 | 69520 | 69520 |
| 21 | Hydraulic Cartridge | 69548 | 69548 | 69548 | 69548 | 69548 |
| 22 | Filter | 68100 | 68100 | 68100 | 68100 | 68100 |
| 23 | Packing (Pump) | 69547* | 69547* | 69547* | 69547* | 69547* |
| 24 | Washer | 69546 | 69546 | 69546 | 69546 | 69546 |
| 25 | Pump Cylinder | 69545 | 69545 | 69545 | 69545 | 69545 |
| 26 | U-Cup (Piston) | 69509* | 69509* | 69509* | 69509* | 69509* |
| 27 | O-Ring (Piston) | 69513* | 69513* | 69513* | 69513* | 69513* |
| 28 | Pump (Piston) | 69543 | 69543 | 69543 | 69543 | 69543 |
| 29 | Pin (Links) | 69510 | 69510 | 69510 | 69510 | 69510 |
| 30 | Retaining Ring (2) | 69512 | 69512 | 69512 | 69512 | 69512 |
| 31 | Pin (Handle Socket) | 69643 | 69643 | 69643 | 69643 | 69643 |
| 32 | Handle Socket Assembly | 69552 | 69552 | 69552 | 69552 | 69552 |
| 33 | Handle (Upper) | 69549 | 69549 | 69549 | 69549 | 69549 |
| 34 | Handle (Lower) | 69550 | 69550 | 69550 | 69550 | 69550 |
| 35 | Warning Decal | 69583 | 69583 | 69539 | 69583 | 69539 |
| 36 | Product Decal | 68107 | 69615 | 69620 | 69634 | 69640 |
| | Service Kit | 69664 | 69665 | 69665 | 69666 | 69666 |

*Service Kit Contents