

INSTRUCTION MANUAL REPAIR PARTS LIST

AIR/HYDRAULIC TRUCK JACK 22 TON (19958 kg) CAPACITY PART CODE H 28744

WARNING

1. STUDY, UNDERSTAND AND FOLLOW ALL INSTRUCTIONS PROVIDED WITH THIS JACK PRIOR TO OPERATION.
2. THIS EQUIPMENT IS DESIGNED FOR LIFTING PURPOSES ONLY - NOT FOR SUPPORTING LOADS. WHILE LIFTING, POSITION APPROPRIATE CAPACITY VEHICLE STANDS AND EXTEND THEM IN STAGES TO MAINTAIN A MINIMUM DISTANCE BETWEEN LOAD AND STANDS.
3. DO NOT MOVE OR DOLLY THE VEHICLE WHILE ON THE JACK.
4. DO NOT OVERLOAD. LIFT THE VEHICLE ONLY AT AREAS SPECIFIED BY THE MANUFACTURER.
5. USE ONLY ON HARD LEVEL SURFACE CAPABLE OF SUSTAINING THE LOAD.
6. CENTER LOAD ON SADDLE.
7. DO NOT OPEN FILLER PLUG FOR ANY REASON UNLESS JACK IS FULLY LOWERED AND AIR SUPPLY HAS BEEN DISCONNECTED.
8. IT IS YOUR RESPONSIBILITY TO KEEP WARNING DECALS LEGIBLE AND INTACT. REPLACEMENT DECALS MAY BE OBTAINED FROM THE FACTORY.
9. FAILURE TO HEED THESE WARNINGS MAY RESULT IN LOSS OF LOAD, DAMAGE TO THE JACK OR FAILURE RESULTING IN PROPERTY DAMAGE, PERSONAL OR FATAL INJURY.

3. Owners and/or users should be aware that repair of this equipment may require specialized knowledge and facilities. It is recommended that an annual inspection of the jack be made by an authorized Hein-Werner service center and that any defective parts, decals or warning labels be replaced with genuine Hein-Werner parts. A list of authorized service centers is available from Hein-Werner.
4. Check for nicked ram or external oil leaks from the cylinder which may signal pending problems.

Damaged Jacks. Any jack which appears to be damaged in any way, is found to be badly worn, or operates abnormally SHALL BE REMOVED FROM SERVICE until necessary repairs are made by an authorized Hein-Werner service center.

INSTRUCTIONS BEFORE USE

1. Remove square head shipping plug from reservoir, and replace with elbow (item 33). Install air line to elbow.
2. Remove filler screw and check oil level. With ram in down position, it should be just up to the hole. Fill if necessary with clean Hein-Werner hydraulic jack oil. Never use brake fluid.
3. Occasionally jacks become "airbound" during transit. To remove air from hydraulic system, open release valve by turning knob on top of handle counter-clockwise. With air supply connected, activate air valve for 10-15 seconds. Close release valve and check for normal operation.
4. Check air supply pressure. System must have at least 100 PSI and 10 C.F.M. to obtain rated capacity.

OWNER'S RESPONSIBILITY

Operation. The owner and/or operator shall have an understanding of these operating instructions and warnings before operating the jack. Warning information shall be emphasized and understood. If the user is not fluent in English, the instructions and warnings shall be read to and discussed with the operator in the operator's native language by the purchaser/owner, making sure that the operator comprehends its contents.

Maintenance. The jack shall be maintained in accordance with instructions listed under "Maintenance"

Inspection

1. Visual inspection shall be made before each use of the jack, checking for leaking hydraulic fluid, and damaged, loose or missing parts.
2. Each jack, if subjected to an abnormal load or shock, shall be inspected immediately by an authorized Hein-Werner service center.

!NOTICE

USE THIS JACK IN THE UPRIGHT POSITION ONLY.

OPERATING INSTRUCTIONS

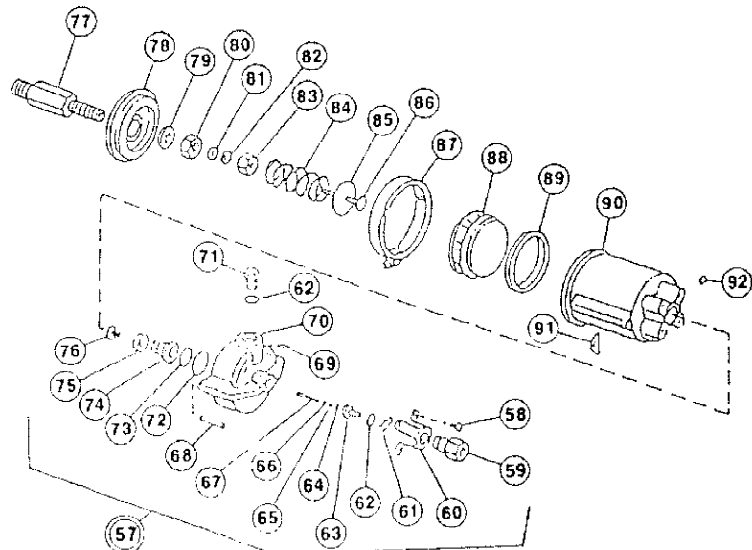
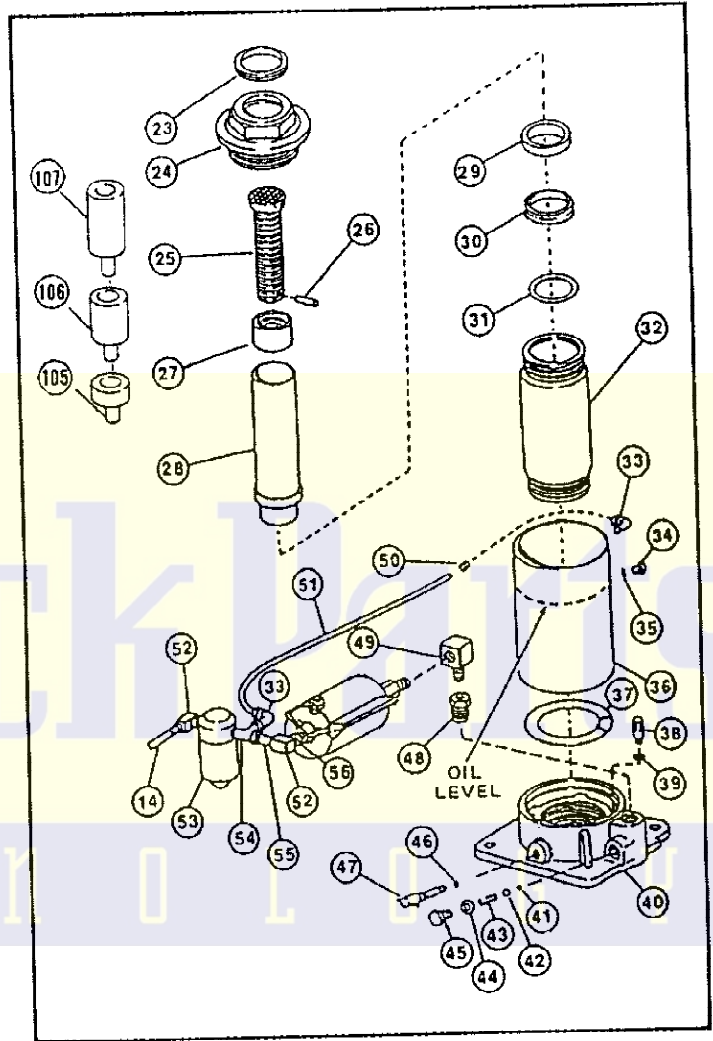
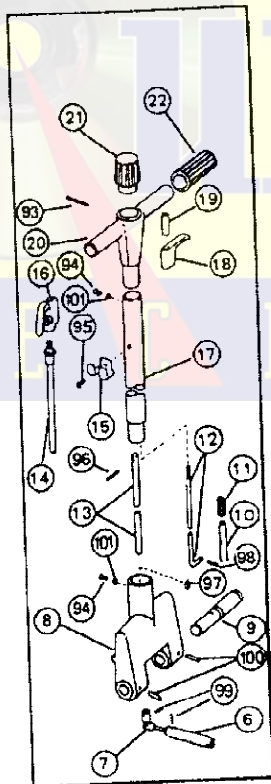
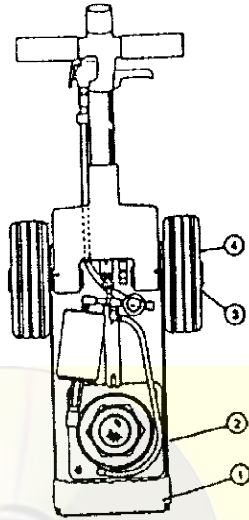
1. **Lifting** - Attach air supply to control valve and close release valve. Position jack where desired and adjust extension screw if necessary. Activate air hydraulic pump by pressing on control valve until desired height is reached. Jack will hold load even if air supply is removed.

WARNING : THIS EQUIPMENT IS DESIGNED FOR LIFTING PURPOSES ONLY - NOT FOR SUPPORTING LOADS. WHILE LIFTING, POSITION APPROPRIATE CAPACITY VEHICLE STANDS AND EXTEND THEM IN STAGES TO MAINTAIN A MINIMUM DISTANCE BETWEEN LOAD AND STANDS.

MAINTENANCE

2. **Lowering** — Ram will lower when release valve is opened.

1. Regularly check oil level. Use only genuine Hein-Werner hydraulic jack oil - never use alcohol or hydraulic brake fluid.
2. Check screen at air inlet of air valve. Clean as required.
3. The air filter located under the cover should be cleaned periodically. To clean, unscrew plastic filter bowl and wash with mild soap and water. Filter element should be washed in denaturated alcohol. Blow out filter body with compressed air.



WARNING: THIS EQUIPMENT IS DESIGNED FOR LIFTING PURPOSES ONLY - NOT FOR SUPPORTING LOADS. WHILE LIFTING, POSITION APPROPRIATE CAPACITY VEHICLE STANDS AND EXTEND THEM IN STAGES TO MAINTAIN A MINIMUM DISTANCE BETWEEN LOAD AND STANDS.

AIR/HYDRAULIC TRUCK JACK PART CODE H28744

Item No.	Part Code	Description	Qty. Required	Item No.	Part Code	Description	Qty. Required
1	12000002	Top Cover	1	53	BJ792018	Filter Assembly	1
2	BJ511626	Frame	1	54	BK264096	Tee	1
3	BB567523	Retaining Ring	1	55	BJ790096	Nipple	1
4	BE587106	Wheel	1	56	BJ780039	Bushing	1
5				57	BK210950	Air Motor Assembly	1
6	BK901038	Release Valve Adaptor	1	58	BCR50028	Screw	4
7	BJ396900	Universal Joint	1	59	BCH80340	Coupler	1
8	BA707133	Yoke	1	60	BCH49098	Retaining Cover	1
9	BJ395104	Axle	2	61	BCH50044	Retaining Ring	1
10	BA766061	Segment Pin	1	†62	B1220503	O-Ring	2
11	BA768141	Segment Spring	1	63	CB256018	Filter	1
12	BA961142	Segment Pin Rod	1	†64	BCH34808	Grommet	1
13	BK110400	Release Rod	1	65	BCH79039	Bushing	1
14	BJ354646	Air Hose	1	†66	B1001503	O-Ring	1
15	BK591110	Air Valve Bracket	1	67	BCH45040	Plunger	1
16	35100007	Air Valve	1	68	B7000381	Tubing	1
17	17000003	Handle Tube	1	69	B1040057	Spring Pin	2
18	BA963144	Segment Lever	1	70	CR500098	Cover	1
19	BD894055	Segment Rod Nut	1	71	CB116006	Plug	1
20	BA962135	Cross Handle	1	72	BK898041	O-Ring	1
21	BK130800	Release Knob	1	73	CM322041	O-Ring	1
22	BA725550	Handle Grip	2	74	CB121051	Piston	1
*23	NJ100046	Quad Ring	1	75	CB644108	Back-Up Washer	1
24	BJ398020	Top Cap	1	76	CF157028	Pan Head Screw	1
25	BJ382028	Adjusting Screw	1	77	BK520400	Plunger Body	1
26	BD674061	Pin	1	78	BK261101	Plate	1
27	BJ385446	Plunger Sleeve	1	79	BK361080	Lockwasher	1
28	21100488	Plunger	1	80	BK350550	Hex Nut	1
*29	36400011	Bearing	1	†81	CB918041	U-Cup	1
*30	31500005	U-Cup	1	82	BK110390	Back-Up Bushing	1
*31	H2348500	Retaining Ring	1	83	BK340550	Hex Gland Nut	1
32	BJ390030	Cylinder	2	84	CH210110	Spring	1
33	BJ990096	Male Elbow	1	85	BK110800	Spring Cap	1
*34	AJ100060	Filler Plug	1	86	CB180040	Plunger	1
*35	AJ100020	Filler Plug Gasket	1	87	CB219044	Body Retainer	1
36	BJ389025	Reservoir	1	88	CB109051	Piston	1
37	BK810800	Washer	1	†89	CB808041	U-Cup	1
38	BK876900	Relief Valve	1	90	13000007	Cylinder	1
39	BS303700	Washer	1	†91	CB919041	Seal	1
40	BK55005P	Base W/Plug	1	†92	B1004503	O-Ring	1
41	H0334500	Ball 7/32 Dia.	1	□93	BA954058	Pin	1
42	H0256900	Ball 5/16 Dia.	1	□94	BA953252	Screw	4
43	AJ100040	Valve Spring	1	□95	SJ100374	Screw	1
44	AJ100039	Valve Plug Gasket	1	□96	BD184061	Pin	1
45	BK300600	Valve Plug	1	□97	SJ100420	Nut	2
*46	H6562900	Release Valve O-Ring	1	□98	AJ100032	Cover Pin	1
47	BK490010	Release Spindle	1	□99	BD374061	Pin	1
48	BJ580096	Nipple, Pump	1	□100	H1485000	Pin	2
49	BK729100	Elbow	1	□101	BD914108	Washer	4
50	BK102700	Ferrule	2	102	H3117200	Product Decal (Not shown)	1
51	BK964600	Tube	1	103	61986913	Warning Decal (Not shown)	1
52	BJ479096	Street Elbow	2	104	61985573	Handle Decal (Not shown)	1
				105	B7035211	Short Extension	
				106	B7034211	Medium Extension	
				107	B7033211	Long Extension	

* Items included in Jack Repair Kit H3213900

† Items included in Air Motor Repair Kit H3222800

□ Items included in Handle Hardware Kit H3214000

Filter Repair Kit H3222300

Filter Bowl Only BK953025

WARNING : THIS EQUIPMENT IS DESIGNED FOR LIFTING PURPOSES ONLY - NOT FOR SUPPORTING LOADS. WHILE LIFTING, POSITION APPROPRIATE CAPACITY VEHICLE STANDS AND EXTEND THEM IN STAGES TO MAINTAIN A MINIMUM DISTANCE BETWEEN LOAD AND STANDS.