

INSTRUCTION MANUAL REPAIR PARTS LIST

⚠ WARNING

1. READ, STUDY, UNDERSTAND, AND FOLLOW ALL WARNINGS AND INSTRUCTIONS PROVIDED WITH THIS EQUIPMENT PRIOR TO USE. IF ANY PORTION OF THIS MATERIAL IS UNCLEAR, CONTACT YOUR REPRESENTATIVE OR THE FACTORY FOR CLARIFICATION.
2. NEVER ALLOW UNSKILLED OR IMPROPERLY TRAINED PERSONNEL TO OPERATE THIS EQUIPMENT.
3. THIS DEVICE IS DESIGNED FOR LIFTING PURPOSES ONLY - NOT FOR SUPPORTING VEHICLE. WHILE LIFTING, POSITION APPROPRIATE CAPACITY VEHICLE STANDS, AND EXTEND THEM IN STAGES TO MAINTAIN A MINIMUM DISTANCE BETWEEN LOAD AND STANDS. ALWAYS INSURE THAT THE LIFT'S MECHANICAL LOAD HOLDING DEVICE IS FULLY ENGAGED PRIOR TO POSITIONING VEHICLE STANDS.
4. LIFT ONLY ON AREAS OF THE VEHICLE SPECIFIED BY THE MANUFACTURER.
5. DO NOT MOVE OR DOLLY THE VEHICLE WHILE ON THE JACK.
6. DO NOT OVERLOAD THIS JACK.
7. USE ONLY ON HARD LEVEL SURFACE CAPABLE OF SUSTAINING THE LOAD. UNLEVEL SURFACES CAN RESULT IN JACK INSTABILITY AND POSSIBLE LOSS OF LOAD.
8. BEFORE LIFTING, BE CERTAIN THE VEHICLE IS IN NEUTRAL, BRAKE RELEASED AND ENGINE OFF.
9. CENTER LOAD ON SADDLE PRIOR TO LIFTING VEHICLE. OFF CENTER LOADS MAY CAUSE DAMAGE TO THE JACK AND/OR LOSS OF LOAD.
10. DO NOT USE TOP OF LIFT AS A POINT OF LOADING. LIFT VEHICLE ONLY BY LIFT BRACKETS PROVIDED ON LIFT.
11. WHEN USING THE TIRE VALVE CONNECTION TO ACTIVATE LIFT, THE INTAKE AIR VALVE LEVER IS INOPERATIVE AND THE LIFT WILL RAISE IMMEDIATELY AS AIR PRESSURE IS APPLIED.
12. DO NOT OPEN OIL FILLER PLUG FOR ANY REASON UNLESS JACK IS UNLOADED AND FULLY LOWERED.
13. CENTER LOAD ON SADDLE. UNEVEN LOAD MAY CAUSE LOAD TO SHIFT AND/OR JACK TO RISE SUDDENLY.
14. IT IS THE OWNER'S RESPONSIBILITY TO KEEP ALL WARNING DECALS AND LITERATURE LEGIBLE AND INTACT. REPLACEMENT DECALS AND LITERATURE ARE AVAILABLE FROM THE FACTORY.
15. FAILURE TO HEED THESE WARNINGS MAY RESULT IN LOSS OF LOAD, DAMAGE TO THE JACK, OR FAILURE RESULTING IN PROPERTY DAMAGE AND/OR PERSONAL OR FATAL INJURY.

B7069619

2. Each jack, if subjected to an abnormal load or shock, shall be inspected immediately by an authorized Hein-Werner service center.
3. Owners and/or users should be aware that repair of this equipment may require specialized knowledge and facilities. It is recommended that an annual inspection of the jack be made by an authorized Hein-Werner service center and that any defective parts, decals or warning labels be replaced with genuine Hein-Werner parts. A list of authorized service centers is available from Hein-Werner.

Damaged Jacks. Any jack which appears to be damaged in any way, is found to be badly worn, or operated abnormally **SHALL BE REMOVED FROM SERVICE** until necessary repairs are made by an authorized Hein-Werner service center.

FEATURES

1. This lift is equipped with a secondary mechanical load holding device. The load will be held in position only when this device is fully engaged. The holding device automatically engages at a number of points as the lift is raised or lowered.
2. It is also equipped with a hydraulic "check" in case the load on the lift is removed suddenly.

OPERATING INSTRUCTIONS

Positioning

1. Dolly Jack to center of vehicle under bumper. Slide adjustable lifting pads an equal distance each side of center so that the pads will contact the vehicle at the frame or the bumper brackets.
2. Adjust saddle height by removing "L" shaped pin and raising or lowering as required. Be certain both saddles are at same height.
3. When lifting front end, check to see that gearshift is in neutral position and hand brake released so that vehicle may roll freely towards the Jack as the vehicle is lifted. This puts the minimum amount of strain on bumper brackets and Jack.
4. When lifting rear end, check front wheels of vehicle to see that they point straight ahead. **FRONT WHEELS MUST BE ABLE TO ROLL TOWARD JACK.**

Lifting

1. Open air valve slowly to allow pads to make contact with vehicle. Lift will drift up slightly when valve is released.

OWNER'S RESPONSIBILITY

Operation. The owner and/or operator shall have an understanding of these operating instructions and warnings before operating the jack. Warning information shall be emphasized and understood. If the user is not fluent in English, the instructions and warnings shall be read to and discussed with the operator in the operator's native language by the purchaser/owner, making sure that the operator comprehends its contents.

Maintenance. The jack shall be maintained in accordance with instructions listed under "Maintenance."

Inspection

1. Visual inspection shall be made before each use of the jack, checking for leaking hydraulic fluid, and damaged, loose or missing parts.

- Open valve and raise to desired height. The mechanical lock will engage automatically at intervals while Jack is being raised.

Lowering

In order to release Jack and remove weight from mechanical lock, apply small amount of air. Lift mechanical locking handle and release lock. Release air by operating valve and hold mechanical lock in off position. The speed of descent is governed by air valve and the operator has the ability to regulate the desired rate of descent.

MAINTENANCE INSTRUCTIONS

LUBRICATION

- Grease front lifting roller weekly.
- All mechanical parts should be oiled every 60 days.
- If air cylinder needs lubrication, clean with solvent and apply a light coat of chassis grease.

Air Cylinder

Water from compressed air may accumulate in air cylinder. To drain, remove air valve and tip jack to allow water to drain out.

Hydraulic Damper

The hydraulic damper is factory set, and should not require adjustment. We recommend (at least once each month) the following test be performed to check the effectiveness of the unit.

To Test Hydraulic Damper

- Lower lift all the way down.
- Stand clear.
- With no load - Apply full air.
- Lift should rise smoothly.
- Damper is low on oil if it rises suddenly a short distance - then continues at a smooth slow rise.

If the unit appears to be defective, then the lift should be inspected and repaired by an authorized Service Center.

1-1/2 Ton End Lift Model AL-15-1

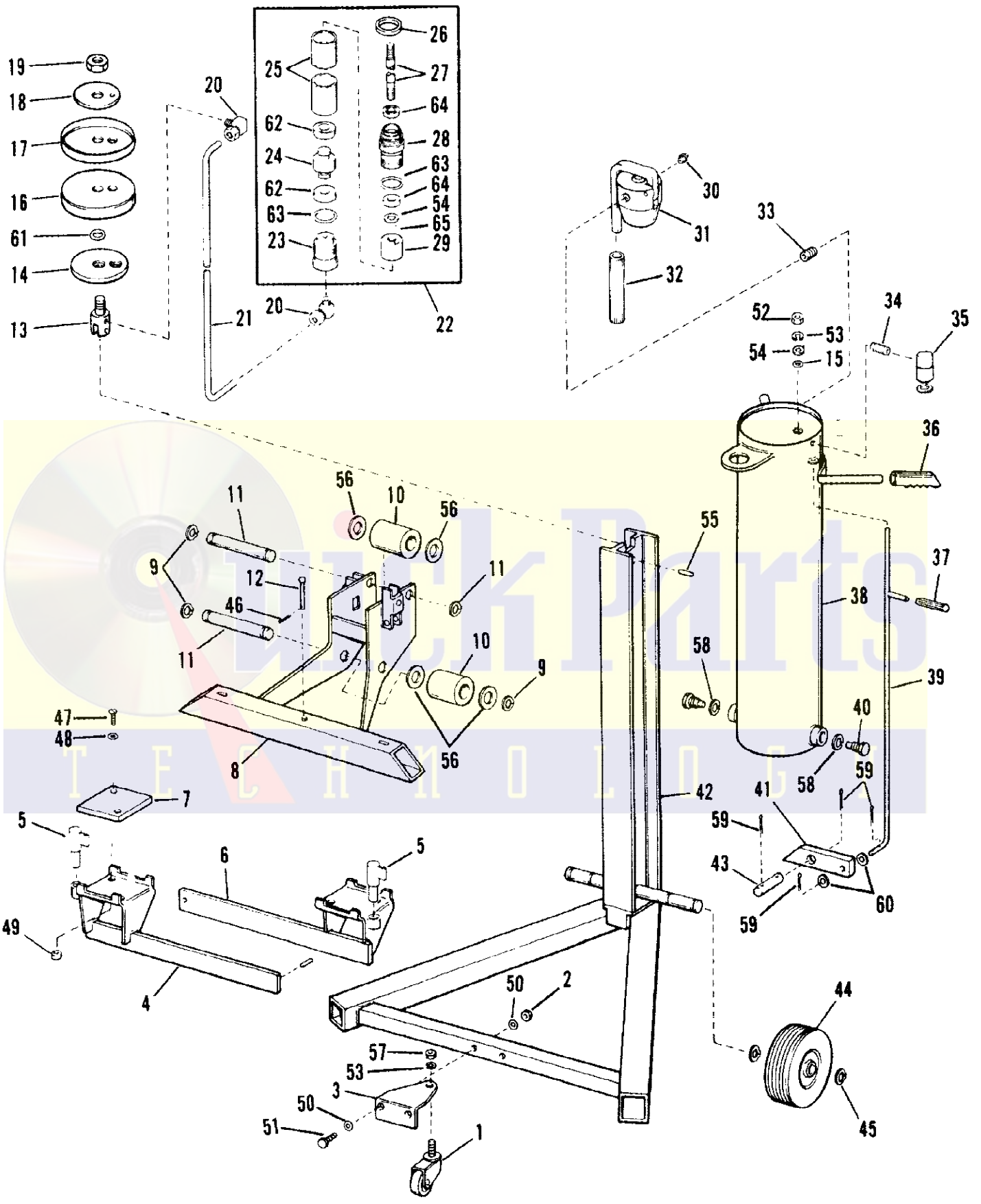
Item No.	Part Code	Description	Qty. Required
1	BE543154	Caster	1
2	SJ100074	Hex Nut	1
3	BE536111	Bracket, Caster	1
4	BK647103	Arm, Extension, R.H.	1
5	BK986061	Adapter, Slot Lift	2
6	BK648103	Arm, Extension, L.H.	1
7	BE584045	Pad, Rubber	2
8	BJ908400	Elevator Wld't	1
9	BA434523	Ring, Retaining	4
10	BE562900	Roller	2
11	BE538104	Shaft	2
12	SJ100049	Pin, Stop	1
13	BJ607305	Stud	1
14	BJ609108	Washer, Piston	1
**15	BE486503	O-ring	1
16	BJ610051	Piston	1
**17	BJ611041	Cup	1
18	BJ608108	Washer, Cup	1
19	BH220550	Nut	1
20	BJ606291	Elbow	2
21	BJ605268	Tube, Damper	1
22	BJ593900	Damper, Hydraulic	1
23	BJ603020	Cap, End	1
24	BJ601071	Follower	1
25	BJ598030	Cylinder	1
26	BJ612186	Spacer	1
27	BJ594149	Rod	1
28	BJ596020	Cap, Top	1
29	BJ599051	Piston	1
30	BD609165	Chuck, Air	1
31	BE527900	Valve, Air	1
32	BE656268	Grip, Air Valve	1
33	BFZ16470	Nipple, 1/4-7/8	1
34	BE566431	Nipple	1
35	BE514900	Valve, Exhaust	1

Item No.	Part Code	Description	Qty. Required
36	BE709550	Grip, Handle	2
37	BE657268	Grip, Release Rod	1
38	BJ604900	Tank, Air	1
39	BE574900	Rod, Release	1
40	BE539305	Stud	2
41	BE542817	Latch	1
42	BJ909900	Frame	1
43	BE565061	Pin, Latch	1
44	BE587106	Wheel, Rubber	2
45	BB557523	Ring, Retaining	4
*46	B1580000	Cotter Pin	1
*47	BE198028	Screw	4
*48	BD220108	Washer	4
*49	BE689055	Nut	4
*50	BD215108	Washer	4
*51	BB874028	Screw	2
*52	AJ100301	Nut	1
*53	BS413900	Washer	2
* & **54	BJ602108	Washer	2 (1 Req. each kit)
*55	BE546061	Pin	1
*56	BE537108	Washer	4
*57	BD891055	Nut	1
*58	BS418000	Washer	2
*59	BK185800	Pin	4
*60	BW401080	Washer	2
**61	BR478505	O-ring	1
**62	BJ600041	Cup	2
**63	BJ597041	Cup	2
**64	BJ595041	Cup	2
**65	BP125160	Ball	1
Not Shown	H2866400	Warning Decal	1
Not Shown	H2872600	Product Decal	1
Not Shown	H5575600	Logo Decal (HW)	2
Not Shown	B67434X0	Repair Kit	1
Not Shown	BU32X100	Hardware Kit	1

* Included in B67434X0 Repair Kit

** Included in BU32X100 Hardware Kit

Order by Part Code



Model AL-15-1