

HEIN-WERNER AUTOMOTIVE

INSTRUCTION MANUAL /REPAIR PARTS LIST

8.6A HAND JACK
12.6A HAND JACK

8 TON (7257 Kg) CAPACITY
12 TON (10886 Kg) CAPACITY

PART CODE H61333
PART CODE H61335



WARNING

1. THIS IS A LIFTING DEVICE ONLY. THE LOAD MUST BE SUPPORTED IMMEDIATELY BY OTHER APPROPRIATE MEANS.
2. DO NOT EXCEED RATED CAPACITY.
3. USE ONLY ON HARD LEVEL SURFACE CAPABLE OF SUSTAINING THE LOAD.
4. CENTER LOAD ON SADDLE.
5. IT IS YOUR RESPONSIBILITY TO KEEP WARNING DECALS LEGIBLE AND INTACT. REPLACEMENT DECALS MAY BE OBTAINED FROM THE FACTORY.
6. STUDY, UNDERSTAND, AND FOLLOW ALL INSTRUCTIONS PROVIDED WITH THIS JACK PRIOR TO OPERATION.
7. FAILURE TO HEED THESE WARNINGS MAY RESULT IN LOSS OF LOAD, DAMAGE TO JACK, OR FAILURE RESULTING IN PROPERTY DAMAGE, PERSONAL, OR FATAL INJURY.

H3128000

OWNER'S RESPONSIBILITY

Operation. The owner and/or operator shall have an understanding of these operating instructions and warnings before operating the jack. Warning information shall be emphasized and understood. If the user is not fluent in English, the instructions and warnings shall be read to and discussed with the operator in the operator's native language by the purchaser/owner, making sure that the operator comprehends its contents.

Maintenance. The jack shall be maintained in accordance with instructions listed under "Maintenance."

Inspection

1. Visual inspection shall be made before each use of the jack, checking for leaking hydraulic fluid, and dam - aged, loose or missing parts.
2. Each jack shall be inspected by an authorized service center immediately, if subjected to an abnormal load or shock.
3. Owners and/or users should be aware that repair of this equipment may require specialized knowledge and

facilities. It is recommended that an annual inspection of the jack be made by an authorized service center and that any defective parts, decals or warning labels be replaced with genuine factory parts. A list of authorized service centers is available from the factory.

Damaged Jacks. Any jack which appears to be damaged in any way, is found to be badly worn, or operates abnormally SHALL BE REMOVED FROM SERVICE until necessary repairs are made by an authorized service center.

INSTRUCTIONS BEFORE USE

1. **Check oil level.** With the jack in an upright position and the ram completely retracted, open release valve by turning release assembly counterclockwise. Remove filler plug - the oil should be just up to the hole. Fill if necessary with clean hydraulic jack oil. Never use motor oil or brake fluid.
2. **Lubricate internal components.** With release valve open, pump handle six full strokes to assure proper internal lubrication.
3. **Bleed hydraulic system.** During transit hydraulic jacks may become "air-bound," causing spongy ram action. To bleed the hydraulic system - close the release valve by turning clockwise. Insert handle in socket and pump jack up to full height. Open the release valve. Invert the jack and force the ram to retract. Repeat as required.

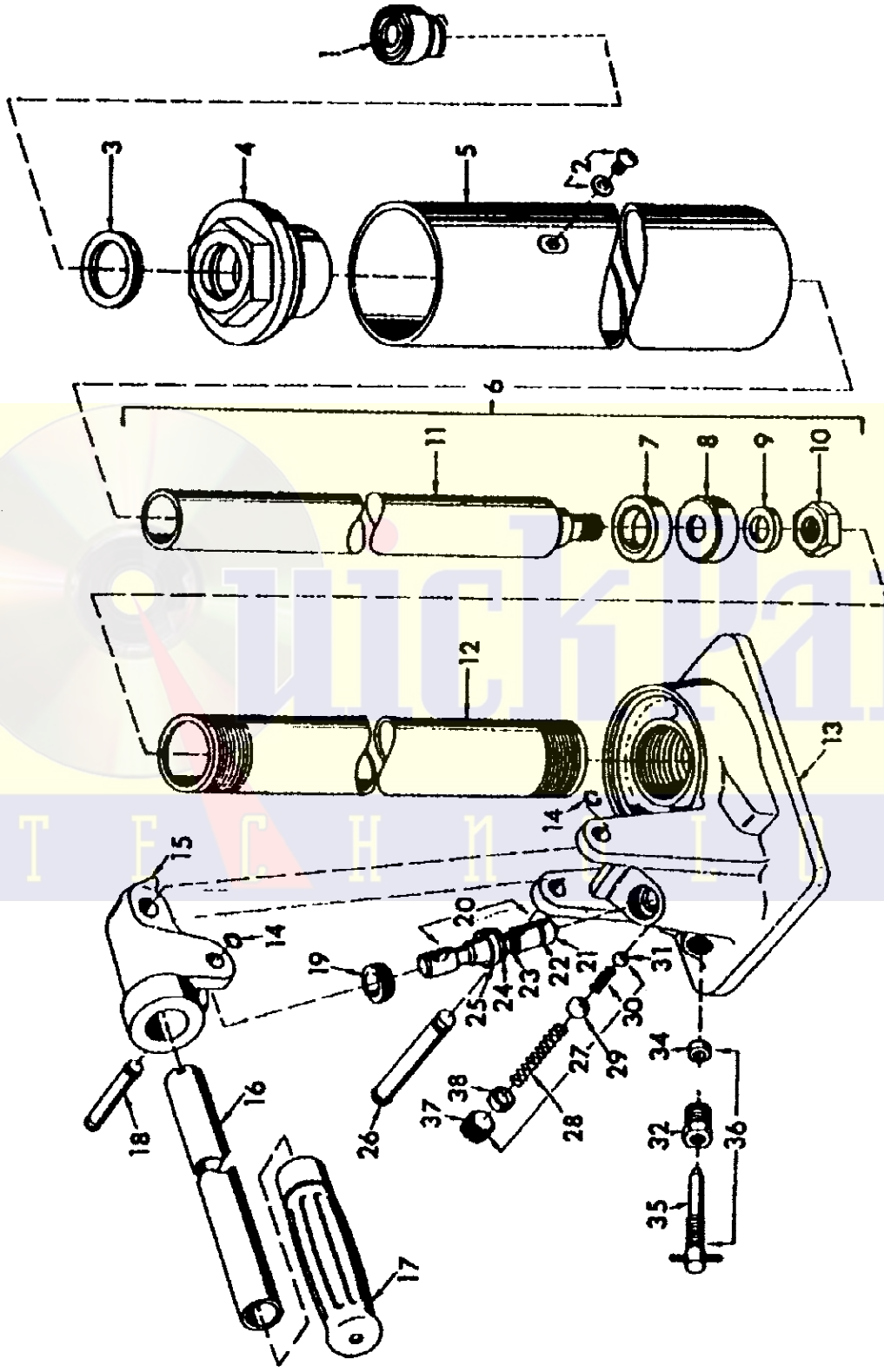
OPERATING INSTRUCTIONS

1. **Lifting.** Turn release assembly clockwise to close release valve. Position jack where desired and adjust extension screw if necessary, being sure that load is centered. Insert handle in socket and pump handle until load is desired height.
2. **Lowering.** Open release valve by slowly turning release assembly counterclockwise.

MAINTENANCE

1. When Jack is not in use, keep the ram and extension screw completely retracted and the release valve closed.
2. Keep the jack clean. Occasionally lubricate the handle socket pivot point, extension screw, and release screw thread.
3. Frequently check oil level. For procedure see "Instructions Before Use."

H3236600



PART CODE H61333
PART CODE H61335

8 TON HAND JACK
12 TON HAND JACK

PARTS LIST - HAND JACKS

ITEM NO.	DESCRIPTION	PART NUMBERS		QTY. REQUIRED
		MODEL 8.6A 61333	MODEL 12.6A 61335	
1	Ram Head	H1577500	H0250500	1
2	Filler Screw & Washer	H2562000	H2562000	1
3	Quad Ring	* H2075000	* H2078500	1
4	Top Nut	H1559700	H0183700	1
5	Reservoir Tube	H6114600	H6114000	1
6	Ram Assembly	H6114400	H6113800	1
7	Spacer	H1516500	H0206000	1
8	cup	* H1524500	* H0216000	1
9	Retainer	H1521000	H0215000	1
10	Nut	H1896000	H1896000	1
11	Ram	H6114700	H6114100	1
12	Cylinder	H6114500	H6113900	1
13	Base	H6037600	H6036600	1
14	Pin Ring	H1241500	H1241500	2
15	Handle Socket	H6243300	H6243300	1
16	Handle Assembly	H6339100	H6339100	1
17	Grip	H0933000	H0933000	1
18	Pin	H6028800	H6028800	1
19	Packing Nut	H6059900	H6059900	1
20	Piston Assembly	* H8110800	* H8110800	1
21	Cup	H0391000	H0391000	1
22	Back-Up Washer	H0594500	H0594500	1
23	Pin Ring	H1241500	H1241500	1
24	Washer	H6242900	H6242900	1
25	Wiper	H6062100	H6062100	1
26	Pin	H1086000	H1086000	1
27	Pump Valves	* H8034800	* H8034800	1
28	Spring	H1528000	H1528000	1
29	Ball 3/8" Dia.	H0301000	H0301000	1
30	Spring	H0218500	H0218500	1
31	Ball 1/4" Dia.	H0267500	H0267500	1
32	Packing Nut	H0129000	H0129000	1
34	Packing	* H0452000	* H0452000	1
35	Release Screw	H6679000	H6679000	1
36	Release Screw Assembly	H6679100	H6679100	1
37	Plug	H1185500	H1185500	1
38	Seal	H1152000	H1152000	1
39	Product Decal (Not Shown)	H3229400	H3229400	1
40	Warning Decal (Not Shown)	H3128000	H3128000	1
41	Repair Kit (Not Shown)	H8073900	H8074000	1

* INDICATES ITEMS INCLUDED IN REPAIR KIT