

# HEIN-WERNER AUTOMOTIVE

## INSTRUCTION MANUAL / REPAIR PARTS LIST

MODEL 74 TRANSMISSION JACK 1/2 TON (454 Kg) CAPACITY PART CODE H65188

### WARNING

1. READ STUDY AND UNDERSTAND ALL WARNING LABELS AND OPERATING INSTRUCTIONS FURNISHED WITH THIS EQUIPMENT PRIOR TO USE. IF ANY PORTION OF THIS MATERIAL IS UNCLEAR, CONTACT YOUR REPRESENTATIVE FOR CLARIFICATION.
2. NEVER ALLOW UNSKILLED OR IMPROPERLY TRAINED PERSONNEL TO OPERATE THIS EQUIPMENT.
3. USE OF THE TRANSMISSION JACK IS LIMITED TO THE REMOVAL AND INSTALLATION OF TRANSMISSIONS, TRANSAXLES AND VEHICLE COMPONENTS FOR WHICH APPROPRIATE ADAPTORS ARE SUPPLIED. DO NOT LIFT OR SUPPORT VEHICLES WITH TRANSMISSION JACK.
4. BE SURE VEHICLE IS APPROPRIATELY SUPPORTED BEFORE STARTING REPAIRS. THIS JACK IS NOT A LOAD SUSTAINING DEVICE.
5. DO NOT OVERLOAD. OVERLOAD CAN CAUSE DAMAGE, FAILURE OF THE JACK AND/OR PERSONAL OR FATAL INJURY.
6. USE ONLY ON HARD LEVEL SURFACES CAPABLE OF SUSTAINING THE LOAD. USE ON OTHER THAN HARD LEVEL SURFACES WILL RESULT IN JACK INSTABILITY AND LOSS OF LOAD.
7. ALWAYS USE THE LOAD RESTRAINT CHAIN, CORNER SUPPORT BRACKET, AND ATTACHMENTS TO STABILIZE AND FIRMLY SECURE THE LOAD TO THE SADDLE. INSURE LOAD RESTRAINT CHAIN IS TIGHT AND PROPERLY POSITIONED TO EFFECTIVELY HARNESS THE LOAD. NEVER USE THIS JACK WITHOUT A LOAD RESTRAINT CHAIN STRONG ENOUGH TO SUPPORT THE TRANSMISSION.
8. PRIOR TO TRANSPORTING THE LOAD, INSURE THAT THE JACK IS ADJUSTED SO THE SADDLE IS IN THE LOWEST HORIZONTAL POSITION POSSIBLE, AND THE LOAD IS CENTRALLY LOCATED ON THE SADDLE.
9. DO NOT MODIFY THIS EQUIPMENT OR REMOVE LOAD RESTRAINT CHAINS.
10. IT IS YOUR RESPONSIBILITY TO KEEP ALL WARNING LABELS AND INSTRUCTIONAL LITERATURE LEGIBLE AND INTACT. REPLACEMENT LABELS AND LITERATURE ARE AVAILABLE FROM THE FACTORY.
11. FAILURE TO HEED THESE WARNINGS MAY RESULT IN EQUIPMENT AND/OR PROPERTY DAMAGE AND/OR PERSONAL OR FATAL INJURY.

H2800500

### OWNER'S RESPONSIBILITY

**Operation.** The owner and/or operator shall have an understanding of these operating instructions and warnings before operating this product. Warning information shall be emphasized and understood. If the user is not fluent in English, the instructions and warnings shall be read to and discussed with the operator in the operator's native language by the purchaser/owner, making sure that the operator comprehends its contents.

**Maintenance.** This product shall be maintained in accordance with instructions listed under "Maintenance."

#### Inspection

1. Visual inspection shall be made before each use of the jack, checking for leaking hydraulic fluid, and damaged, loose or missing parts.
2. Each jack shall be inspected by an authorized service center immediately, if subjected to an abnormal load or shock.
3. Owners and/or users should be aware that repair of this equipment may require specialized knowledge and facilities. It is recommended that an annual inspection of the jack be made by an authorized service center and that any defective parts, decals or warning labels be replaced with genuine factory parts. A list of authorized service centers is available from the factory.

**Damaged Jacks.** Any jack which appears to be damaged in any way, is found to be badly worn, or operates abnormally SHALL BE REMOVED FROM SERVICE until necessary repairs are made by an authorized service center.

### ASSEMBLY

1. Before using Jack for the first time, some assembly is required. Place hydraulic unit in upright position and bolt legs to base using (4) 3/8-16 x 3" bolts and lockwashers provided with jack.
2. Assemble casters to legs.
3. Remove reservoir filler screw and replace with vented filler screw. NOTE: Jack will not operate properly unless vented screw is used.

### INSTRUCTIONS BEFORE USE

1. Remove filler screw and check oil level - It should be up to the hole. Fill if necessary with clean hydraulic Jack oil.
2. Many Jacks become "airbound" in transit. Before using jack for the first time, it may be necessary to bleed the hydraulic system.  
**Bleeding the pump** - With the release lever depressed, pump pedal several times to expel excess air from the piston area. It should then be possible to raise the rams with normal foot pedal action.  
**Bleeding the rams** - Pump the rams up until they are completely extended by slowly actuating the foot pedal. Then loosen the knurled nut on top of the first stage ram. Air will escape as the saddle slowly comes down. When oil begins to seep out of the knurled nut, tighten the nut hand tight.

H3241400

# WARNING

ALWAYS USE THE LOAD RESTRAINT CHAIN, CORNER SUPPORT BRACKETS, AND ATTACHMENTS TO STABILIZE AND FIRMLY SECURE THE LOAD TO THE SADDLE.

NEVER USE THE JACK WITHOUT A LOAD RESTRAINT CHAIN STRONG ENOUGH TO SUPPORT THE TRANSMISSION.

THE CHAIN SHOULD BE USED AS FOLLOWS: PLACE THE CHAIN OVER THE LOAD, PULL TAUT AND ENGAGE INTO SLOT ON OPPOSITE SIDE OF SADDLE. TIGHTEN WING NUT.

H2887300

## OPERATING INSTRUCTIONS

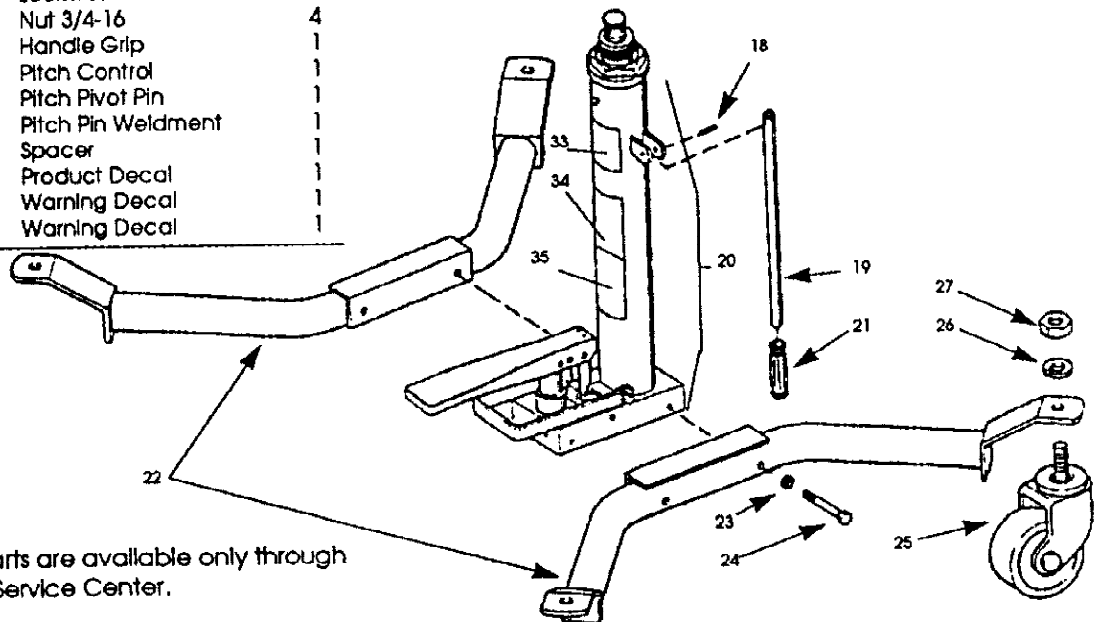
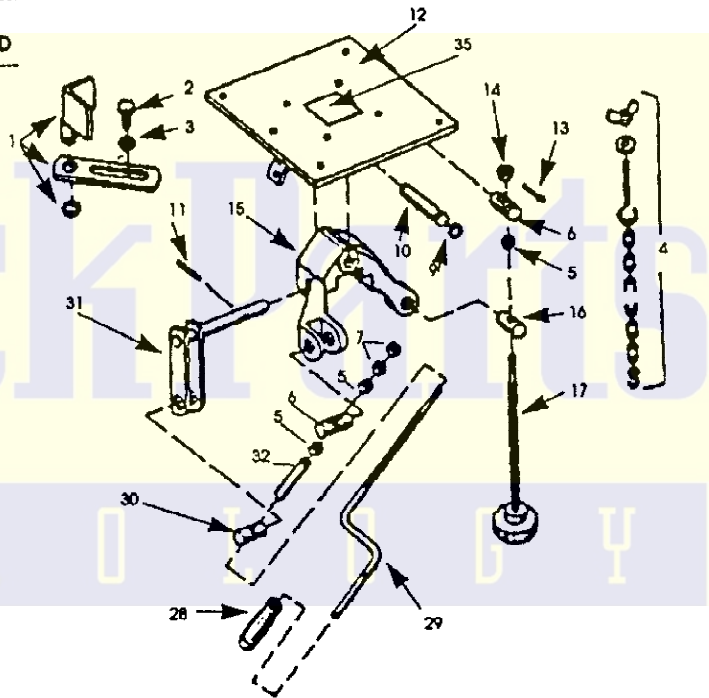
1. LIFTING - Pump pedal to raise saddle to contact transmission or transaxle. Position Jack so weight of load will be equally distributed on saddle, and adjust pitch and tilt controls as necessary. Position corner support brackets and secure load with Load Restraint Chain.
2. LOWERING - To lower jack, step down on release lever.
3. SADDLE CONTROLS:  
PITCH - The forward and rear tilt knob will pitch saddle 25° forward and 15° rearward - a total of 40°.  
TILT CONTROL - The side tilt knob tilts saddle 12° left or 12° right.

## MAINTENANCE

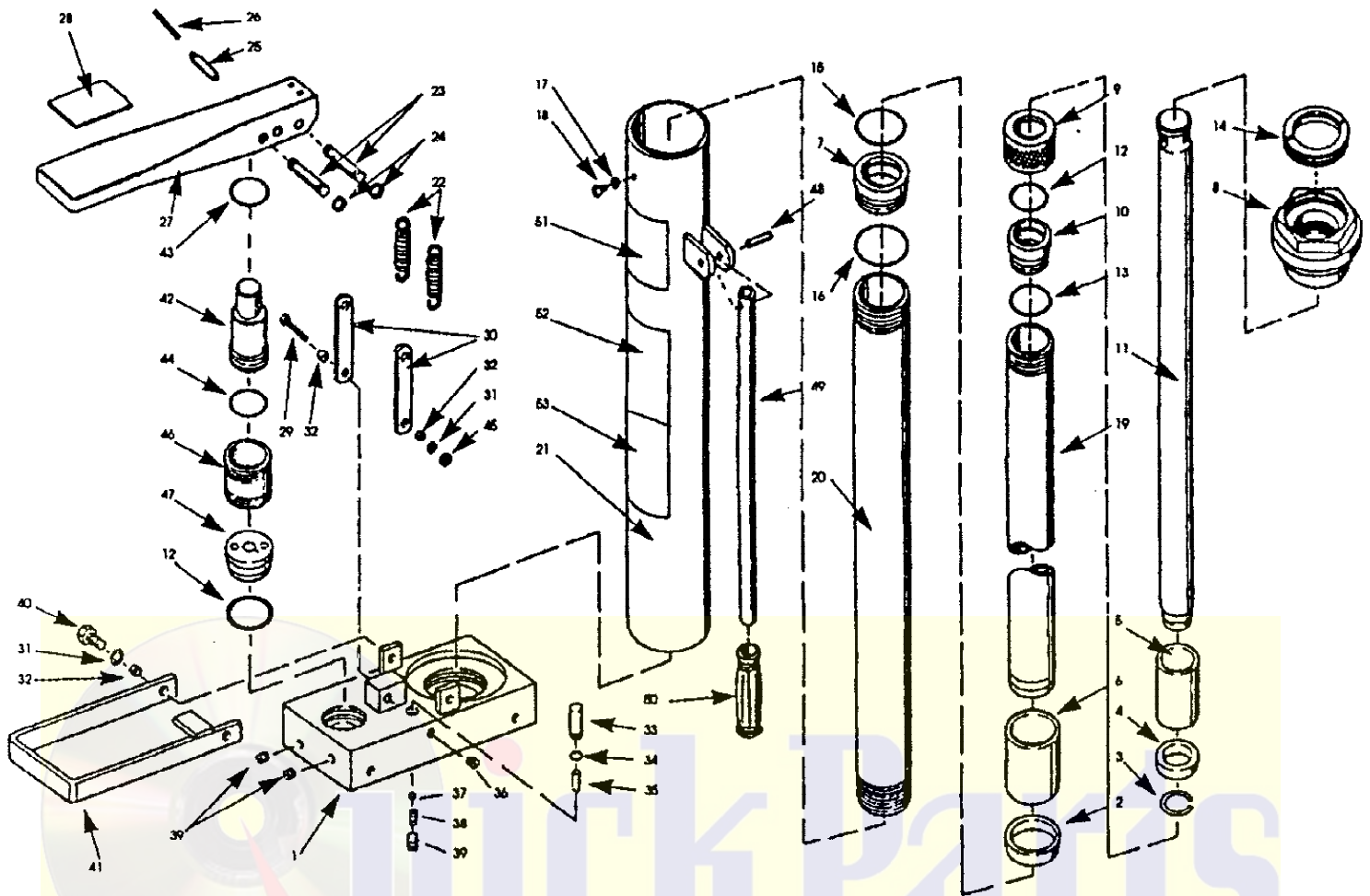
1. Lubricate regularly all moving parts of the jack - pay special attention to the tilt screws and related linkages.
2. Regularly check oil level. With the saddle fully down, the oil level should be up to the filler screw hole. Use only hydraulic Jack oil in the pump unit. Never use alcohol or hydraulic brake fluid.
3. If Jack fails to operate, check oil level and/or bleed unit before seeking service at an Authorized Service Center.

## MODEL 74 CHASSIS ASSEMBLY PARTS LIST

ITEM NO.	PART CODE	DESCRIPTION	QTY. REQUIRED
1.	H0753000	Corner Bracket	4
2.	H2624000	Bolt 3/8-16 x 5/8	4
3.	H2524500	Flat Washer	4
4.	H2145000	Chain	1
5.	H2163500	Collar	3
6.	H2118000	Pin	2
7.	H2617100	Jam Nut	2
9.	H2175500	Retaining Ring	2
10.	H2146000	Pin	1
11.	H6774600	Rollpin	1
12.	H0768500	Saddle	1
13.	H2608600	Cotter Pin	1
14.	H2616400	Slotted Hex Nut	1
15.	H2117000	Tilt Housing	1
16.	H2116500	Pin	1
17.	H6202000	Tilt Control Screw	1
18.	H2664000	Rollpin	1
19.	H2104000	Handle	1
20.	H6566100	Hydraulic Unit Assembly	1
21.	H6373200	Handle Grip	1
22.	H6519500	Leg Assembly	2
23.	H0209500	Lockwasher	4
24.	H6739800	Bolt 3/8-16 x 3	4
25.	H2102000	Caster	4
26.	H0249000	Lockwasher	4
27.	H2610900	Nut 3/4-16	4
28.	H0933000	Handle Grip	1
29.	H6201300	Pitch Control	1
30.	H2150500	Pitch Pivot Pin	1
31.	H0769500	Pitch Pin Weldment	1
32.	H2125100	Spacer	1
33.	H3233200	Product Decal	1
34.	H2800500	Warning Decal	1
35.	H2887300	Warning Decal	1



Service and Service Parts are available only through your local Authorized Service Center.



### UNIT PARTS LIST

ITEM NO.	PART CODE	DESCRIPTION	QTY. REQUIRED	ITEM NO.	PART CODE	DESCRIPTION	QTY. REQUIRED
1.	H6519200	Base Weldment	1	27.	H6202500	Foot Pedal	1
2.*	H6521800	Bearing	1	28.	H6204400	Pad	1
3.*	H6495700	Retaining Ring	2	29.	H6238500	Bolt	1
4.*	H6521600	Bearing	1	30.	H6200200	Pump Pedal Link	2
5.	H6520800	Bearing Spacer	1	31.	H2579000	Lockwasher	4
6.	H6520700	Bearing Spacer	1	32.	H6238200	Spacer	4
7.*	H6521900	Bearing Sleeve	1	33.	H6520600	Release Stem	1
8.	H2122500	Top Nut	1	34.**	H1625700	O - Ring	1
9.	H2115000	Knurled Nut	1	35.**	H6520600	Release Spacer	1
10.*	H6521700	Bearing Sleeve	1	36.	H6192200	Plug	1
11.	H6520200	Ram Plunger	1	37.**	H0267500	Ball	1
12.*,**	H1635000	O - Ring	2	38.**	H6314900	Spring	1
13.*	H1635300	O - Ring	1	39.**	H2593500	Plug	3
14.	H2125000	Wiper Nut	1	40.	H2546600	Bolt	2
15.*	H1649000	O - Ring	1	41.	H6519400	Release Lever	1
16.*	H1636500	O - Ring	1	42.	H6520300	Pump Piston	1
17.	H0485500	Washer	1	43.**	H6522000	Rod Wiper	1
18.	H2123500	Vented Filler Screw	1	44.**	H1631100	O - Ring	1
	H2562000	Rc. Head Machine Screw	1	45.	H2544600	Hex Nut	1
19.	H6519900	Moving Cylinder	1	46.	H6572900	Pump Cylinder	1
20.	H6520000	Stationary Cylinder	1	47.	H6519000	Hydraulic Cartg. Asmby.	1
21.	H6519300	Reservoir Weldment	1	48.	H2664000	Rollpin	1
22.	H6302800	Spring	2	49.	H2104000	Handle	1
23.**	H6199500	Pin	2	50.	H6373200	Handle Grip	1
24.	H2174700	Retaining Ring	4	51.	H3233200	Model 74 Decal	1
25.	H6446500	Rollpin	1	52.	H2800500	Warning Decal	1
26.	H1485000	Rollpin	1	53.	H2887300	Warning Decal	1

\* Included in Ram Repair Kit H8205900

\*\* Included in Pimp Repair Kit H8206000

Complete Hydraulic Unit Assembly Part Code H6566100

Service and Service Parts are available only through your local Authorized Service Center.