

INSTRUCTION MANUAL REPAIR PARTS LIST

20.6 AA HAND JACK
20.10AA HAND JACK

20 TON (18144 Kg) CAPACITY
20 TON (18144 Kg) CAPACITY

PART CODE H 61336
PART CODE H 14995

⚠ WARNING

1. **THIS IS A LIFTING DEVICE ONLY. THE LOAD MUST BE SUPPORTED IMMEDIATELY BY OTHER APPROPRIATE MEANS.**
2. **DO NOT EXCEED RATED CAPACITY.**
3. **USE ONLY ON HARD LEVEL SURFACE CAPABLE OF SUSTAINING LOAD.**
4. **CENTER LOAD ON SADDLE.**
5. **IT IS YOUR RESPONSIBILITY TO KEEP WARNING DECALS LEGIBLE AND INTACT. REPLACEMENT DECALS MAY BE OBTAINED FROM THE FACTORY.**
6. **STUDY, UNDERSTAND, AND FOLLOW ALL INSTRUCTIONS PROVIDED WITH THIS JACK PRIOR TO OPERATION.**
7. **FAILURE TO HEED THESE WARNINGS MAY RESULT IN LOSS OF LOAD, DAMAGE TO JACK, OR FAILURE RESULTING IN PROPERTY DAMAGE, PERSONAL, OR FATAL INJURY.**

OWNER'S RESPONSIBILITY

Operation. The owner and/or operator shall have an understanding of these operating instructions and warnings before operating the jack. Warning information shall be emphasized and understood. If the user is not fluent in English, the instructions and warnings shall be read to and discussed with the operator in the operator's native language by the purchaser/owner, making sure that the operator comprehends its contents.

Maintenance. The jack shall be maintained in accordance with instructions listed under "Maintenance."

Inspection

1. Visual inspection shall be made before each use of the jack, checking for leaking hydraulic fluid, and damaged, loose or missing parts.
2. Each jack shall be inspected by an authorized Hein-Werner service center immediately, if subjected to an abnormal load or shock.
3. Owners and/or users should be aware that repair of this equipment may require specialized knowledge

and facilities. It is recommended that an annual inspection of the jack be made by an authorized Hein-Werner service center and that any defective parts, decals or warning labels be replaced with genuine Hein-Werner parts. A list of authorized service centers is available from Hein-Werner.

Damaged Jacks. Any jack which appears to be damaged in any way, is found to be badly worn, or operates abnormally **SHALL BE REMOVED FROM SERVICE** until necessary repairs are made by an authorized Hein-Werner service center.

INSTRUCTIONS BEFORE USE

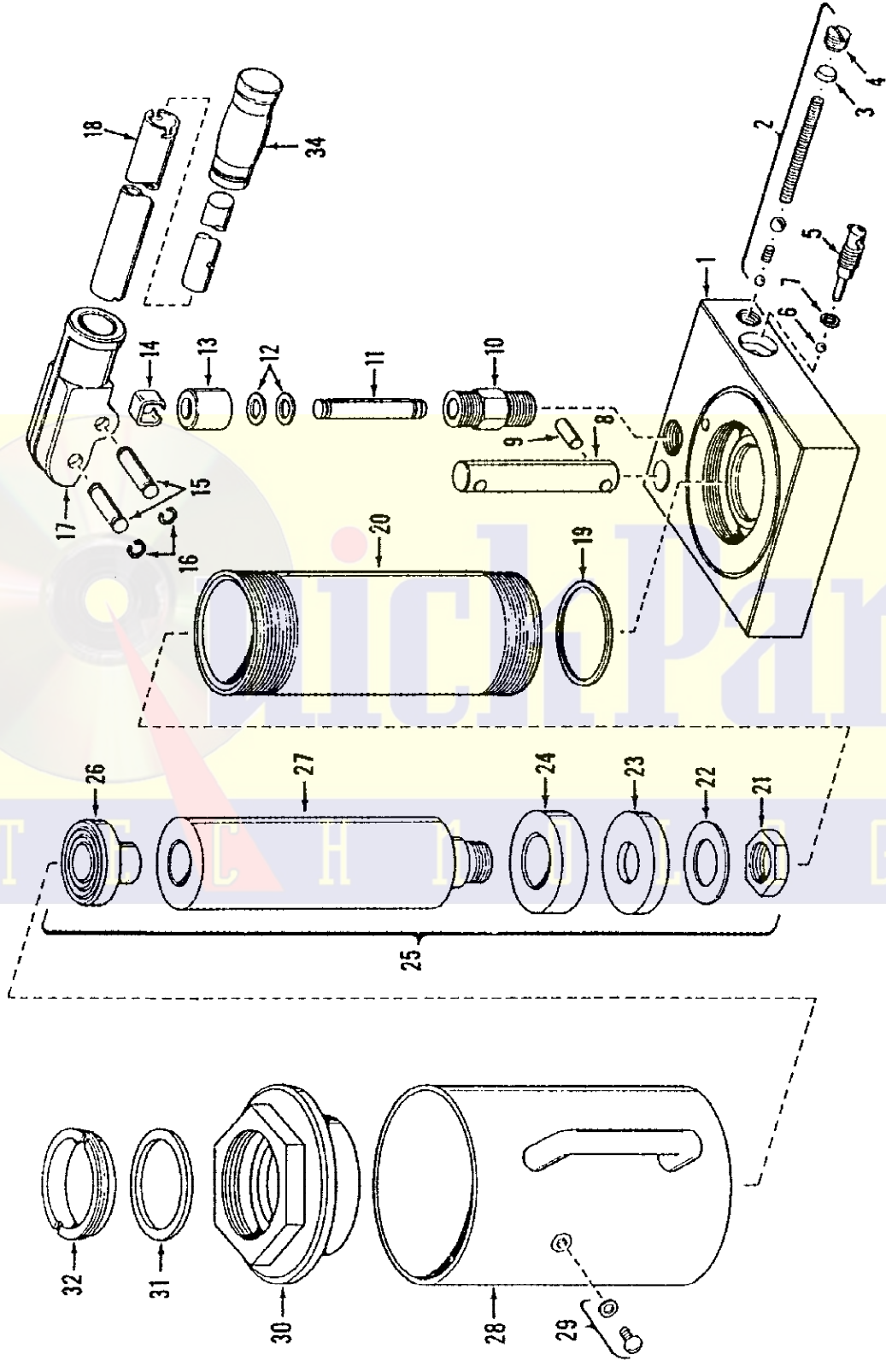
1. **Check oil level.** With the jack in an upright position and the ram completely retracted, open release valve by turning release assembly counterclockwise. Remove filler plug - the oil should be just up to the hole. Fill if necessary with clean Hein-Werner hydraulic jack oil. Never use motor oil or brake fluid.
2. **Lubricate internal components.** With release valve open, pump handle six full strokes to assure proper internal lubrication.
3. **Bleed hydraulic system.** During transit hydraulic jacks may become "air-bound," causing spongy ram action. To bleed the hydraulic system — close the release valve by turning clockwise. Insert handle in socket and pump jack up to full height. Open the release valve, invert the jack and force the ram to retract.

OPERATING INSTRUCTIONS

1. **Lifting.** Turn release assembly clockwise to close release valve. Position jack where desired and adjust extension screw if necessary, being sure that load is centered. Insert handle in socket and pump handle until load is desired height.
2. **Lowering.** Open release valve by **slowly** turning release assembly counterclockwise.

MAINTENANCE

1. When jack is not in use, keep the ram and extension screw completely retracted and the release valve closed.
2. Keep the jack clean. Occasionally lubricate the handle socket pivot point, extension screw, and release screw thread.
3. Frequently check oil level. For procedure see "Instructions Before Use."



PART CODE H 61336
 PART CODE H 14995

20 TON HAND JACK
 20 TON HAND JACK

PARTS LIST — HAND JACKS

Item No.	H 61336	H 14995	Description	Qty. Required	Item No.	H 61336	H 14995	Description	Qty. Required
	20.6AA	20.10AA				20.6AA	20.10AA		
	Part Code	Part Code				Part Code	Part Code		
1	H1508000	H6748100	Base		19	H9190000	H9190000	Seal for Cylinder	
*2	H8012700	H8012700	Pump Valves		20	H6113300	H6003900	Inside Cylinder	
3	H1152000	H1152000	Pump Valve Seal		21	H9160000	H9160000	Hex Nut	
4	H1185500	H1185500	Pump Valve Plug		22	H9055000	H9055000	Retaining Washer	
5	H6705000	H6705000	Release Valve		*23	H0908000	H0908000	Cup	
6	H2570000	H2570000	Release Valve Ball		24	H9030000	H9030000	Ram Spacer	
*7	H0452000	H0452000	Release Valve Seal		25	H6113200	H1513500	Ram Assembly	
8	H1585000	H1585000	Handle Post		26	H9150000	H9150000	Ram Head	
9	H1583000	H1583000	Handle Post Pin		27	H6113500	H0899500	Ram	
10	H1587000	H1587000	Piston Cylinder		28	H6113400	H1508100	Reservoir Tube	
11	H1507000	H1507000	Piston Assembly		29	H2562000	H2562000	Filler Screw & Washer	
12	H1575000	H1575000	Packing (piston)		30	H8895000	H8895000	Top Nut	
13	H1578500	H1578500	Packing Nut		*31	H0914000	H0914000	Ram Packing	
14	H7205000	H7205000	Piston Clip		32	H9020000	H9020000	Packing Nut	
*15	H6021700	H6021700	Pin & Ring Assembly		33	H6133700	H5532400	Decal (Not Shown)	
*16	H1234500	H1234500	Pin Ring		34	H9330000	H9330000	Grip	
17	H8915000	H8915000	Handle Socket		35	H3128000	H3128000	Warning Decal	
18	H6339100	H6339100	Handle		36	H8074200	H8074200	Repair Kit (Not Shown)	

*Indicates items included in Service Kit

