



Guardian

HYDRAULIC JACK MODEL 202

GENERAL MAINTENANCE and OPERATING INSTRUCTIONS

With reasonable care, the Guardian Hydraulic Jack will give a long life of service. Depending on the amount of usage, some vital parts may have to be replaced periodically. Consult the nearest Guardian service station in your area for replacement parts and/or repair service.

IMPORTANT: Do not overload the Jack above the rated capacity.

Prevent "side-loading" — make sure load is centered.

Do not push or tilt load off from the Jack.

NOTE:

A Jack may become "airbound" in transit, or due to being upset, in which case the Jack will fail to raise. Remedy this situation by extending the Ram manually, opening the release valve, (30), and then pushing the Ram down, thus expelling air which may have entered the system.

1. OIL: Jack should always be filled with oil to filler hole level. Filler hole (3) is located on reservoir tube approximately 2/3 the way up the tube. Oil level should be checked with the Ram fully retracted and the Jack standing in the upright position. Make sure no dirt or other foreign matter enters the reservoir while checking oil level and refilling. **IMPORTANT: Use only Hydraulic Jack Oil.**

2. PUMP PISTON: Oil leakage around pump piston (18) while the Jack is under load, or short Ram stroke, is an indication the pump piston (18) needs replacement. To make this replacement, first remove the handle socket (14) and piston clip (17). Pull out old piston. Before installing new piston and "O" Ring (19) make sure piston chamber is thoroughly clean. New pump piston should be coated with Jack oil to permit easy installation and to avoid damage to the pump piston cup. Replace piston clip and handle socket.

3. RELEASE VALVE: If Jack fails to lift the load, hold the load, or the ram stroke is short, the Release Valve

(30) may need cleaning or replacement. To make this determination, screw out the release valve. The Release Ball should also be removed so that the release valve chamber may be inspected and cleaned thoroughly. Check the valve seat for nicks and the Ball for scratches and damage. If old release screw is re-installed in the Jack, it is recommended that a new packing be used.

4. PUMP VALVES: Pump valves (25) and valve seats must be clean and in good condition at all times. This is the most critical area of a Hydraulic Jack. Failure to develop necessary Hydraulic pressure may be the result of a piece of dirt on the edge of a valve seat, a damaged or corroded ball, or defective spring. Valves may be inspected by removing the pump valve plug (27) and valve seal (26). The springs and balls are removed by tipping the Jack on its side so that balls and springs drop out. Make sure no pressure is in the system prior to removing the pump valves by first opening the release valve. Valve chamber should be inspected for dirt and contamination. The valve seats should be given particular attention for damage or dirt. Balls and springs should be free of dirt, corrosion, nicks, notches, or other forms of damage. Re-assemble valve components, replacing defective parts, in order shown in the illustration on the reverse side, i.e. (a) small ball-(b) small spring-(c) large ball-(d) large spring-(e) valve seal, and (f) valve plug. Valve seal should be installed using special tool SS-12.

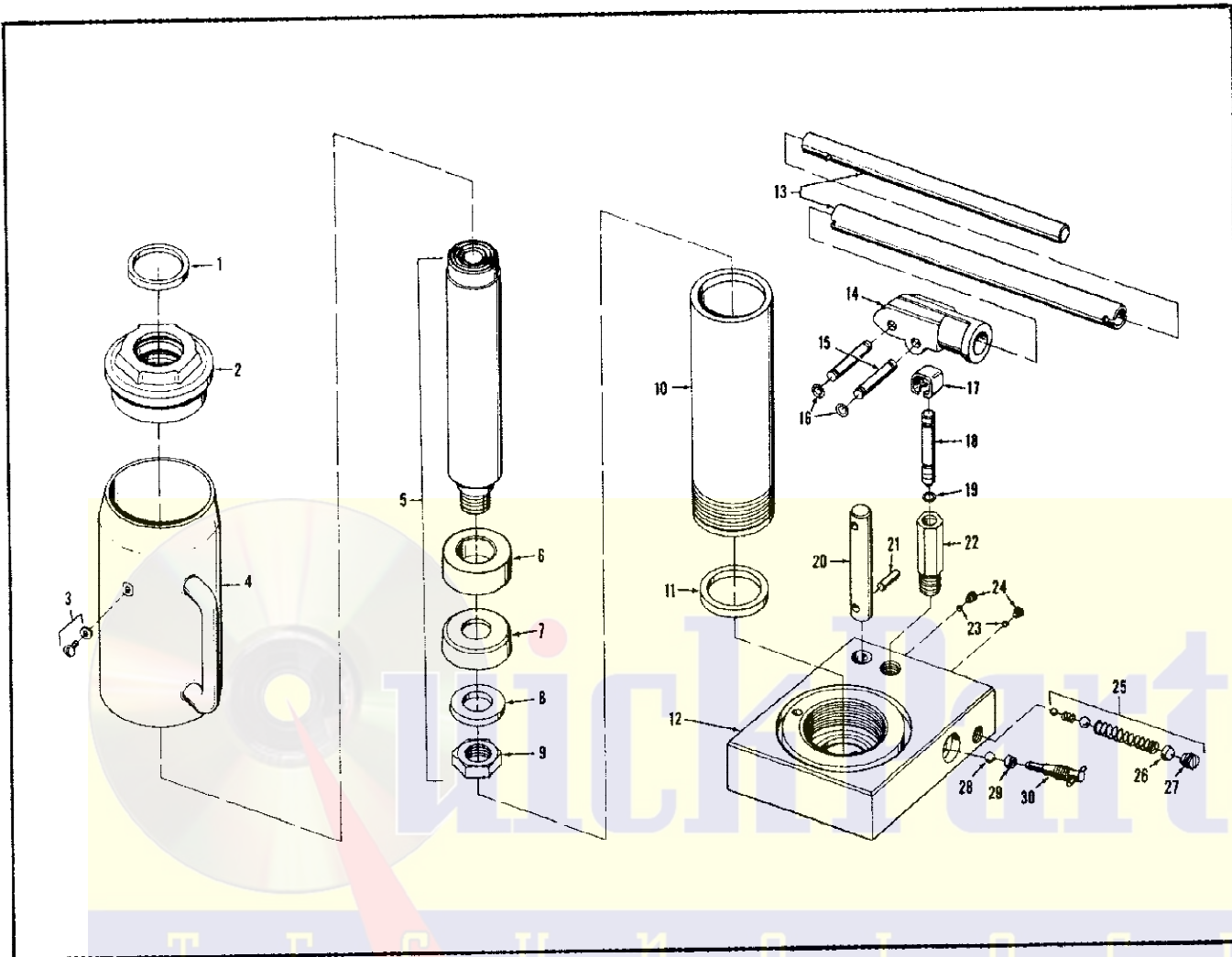
5. RAM CUP: If the ram (5) lowers under load, it is an indication of oil leaking past a worn, damaged, or defective ram cup (7). Check the condition of the Ram Cup by removing the top nut (2) and extracting the Ram (5) from the Cylinder (10). While the Ram is removed from the Cylinder, the Cylinder should be checked for scoring or any other damage.

Before reassembly, remove old shellac from top of reservoir tube (4). Top of reservoir tube should then be brushed with shellac, and top nut (2) installed securely.

USE ONLY GENUINE HYDRAULIC JACK OIL IN ANY GUARDIAN JACK

MODEL 202

HYDRAULIC JACK REPAIR PARTS LIST



Item No.	Part No.	Description	Item No.	Part No.	Description
1	H20785	Quad Ring	17	H7205	Clip
2	H60005	Top Nut	18	H60041	Piston Assembly
3	H25620	Filler Screw & Washer	19	H14610	"O" Ring
4	H60025	Reservoir	20	H60043	Post
5	H15020	Ram Assembly w/2505 Ram Head	21	H15830	Drive Pin
6	H9030	Spacer	22	H60042	Piston Cylinder
7	H9080	Cup	23	H7345	Seal
8	H9055	Retainer	24	H3580	Plug
9	H9160	Hex Nut	25	H80817	Pump Valves
10	H60039	Cylinder	26	H11520	Seal
11	H9190	Seal	27	H11855	Plug
12	H60026	Base Assembly	28	H2570	Ball
13	H9595	Handle Assembly	29	H4520	Packing
14	H8915	Handle Socket	30	H15090	Release Screw Assembly
15	H60195	Pin	31	H61955	Decal (Not Shown)
16	H12345	Pin Ring			

Item numbers shown above are only for your convenience in locating the part on the parts list. When ordering, always specify the PART NUMBER — not the item number — and give complete name of part and model number of jack. If the length of the part is shown on the parts list, verify it with the old part. If different, state exact length and diameter of old part.

ORDER REPAIR PARTS DIRECT FROM NEAREST GUARDIAN OFFICIAL SERVICE STATION