

***Central
Hydraulics***®
**LONG FRAME ALUMINUM
3,000 LBS. JACK**

Model 47246

ASSEMBLY AND OPERATING INSTRUCTIONS



Visit our website at: <http://www.harborfreight.com>



**Read this material before using this product.
Failure to do so can result in serious injury.
SAVE THIS MANUAL.**

Copyright© 2002 by Harbor Freight Tools®. All rights reserved. No portion of this manual or any artwork contained herein may be reproduced in any shape or form without the express written consent of Harbor Freight Tools. Diagrams within this manual may not be drawn proportionally. Due to continuing improvements, actual product may differ slightly from the product described herein. Tools required for assembly and service may not be included.

For technical questions or replacement parts, please call 1-800-444-3353.

Specifications

ITEM	DESCRIPTION
Lift Capacity	3,000 Lbs.
Saddle Height	3.54 (minimum), 17.59 (maximum) inches; rubber pad
Hydraulic Lift	14.05 inches
Overall Dimensions	23.62 (L) x 11.81 (W) x 6.10 (H) inches
Weight	35.4 Lbs.
Handle	Two-piece, knurled; 47.25 (L) inches
Mfg. Material	Aluminum handle and frame

Save This Manual

You will need the manual for the safety warnings and precautions, assembly instructions, operating and maintenance procedures, parts list and diagram. Keep your invoice with this manual. Write the invoice number on the inside of the front cover. Keep the manual and invoice in a safe and dry place for future reference.

General Safety Warnings and Precautions

WARNING: When using tools, basic safety precautions should always be followed to reduce the risk of personal injury and damage to equipment.

Read and understand all instructions before using this tool!

1. **Keep work area clean.** Cluttered areas invite injuries.
2. **Observe work area conditions.** Do not use Jack in damp or wet locations. Don't expose to rain. Keep work area well lighted.
3. **Keep children away.** Children must never be allowed in the work area. Do not let them handle machines, tools, or extension cords.
4. **Store idle equipment.** When not in use, tools must be stored in a dry location to inhibit rust. Always lock up tools and keep out of reach of children.
5. **Do not force tool.** It will do the job better and more safely at the rate for which it was intended. Do not use inappropriate attachments in an attempt to exceed the tool capacity.
6. **Use the right tool for the job.** Do not attempt to force a small tool or attachment to do the work of a larger industrial tool. There are certain applications for which this tool was designed. Do not modify this tool and do not use this tool for a purpose for which it was not intended.
7. **Dress properly.** Do not wear loose clothing or jewelry as they can be caught in moving parts. Protective, electrically non-conductive clothes and non-skid footwear are recommended when working. Wear restrictive hair covering to contain long hair.
8. **Use eye and ear protection.** Always wear ANSI approved impact safety goggles.
9. **Do not overreach.** Keep proper footing and balance at all times. Do not reach through, over or across running machines.
10. **Maintain tools with care.** Follow instructions for lubricating and changing accessories. Handle must be kept clean, dry, and free from oil and grease at all times.
11. **Stay alert.** Watch what you are doing, use common sense. Do not operate any tool when you are tired.

12. **Check for damaged parts.** Before using any tool, any part that appears damaged should be carefully checked to determine that it will operate properly and perform its intended function. Check for alignment and binding of moving parts; any broken parts or mounting fixtures; and any other condition that may affect proper operation. Any part that is damaged should be properly repaired or replaced by a qualified technician.
13. **Replacement parts and accessories.** When servicing, use only identical replacement parts. Use of any other parts will void the warranty. Only use accessories intended for use with this tool. Approved accessories are available from Harbor Freight Tools.
14. **Do not operate tool if under the influence of alcohol or drugs.** Read warning labels on prescriptions to determine if your judgment or reflexes are impaired while taking drugs. If there is any doubt, do not operate the tool.
15. **Maintenance.** For your safety, service and maintenance should be performed regularly by a qualified technician.

Warning: The warnings, cautions, and instructions discussed in this instruction manual cannot cover all possible conditions and situations that may occur. It must be understood by the operator that common sense and caution are factors which cannot be built into this product, but must be supplied by the operator.

Additional Jack Safety Precautions

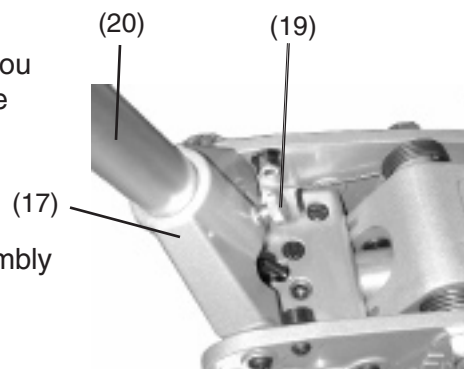
1. **Do not overload this equipment.** Know the weight of the item being lifted. Attempting to lift a load exceeding weight capacity can cause jack to fail leading to property damage and/or personal injury.
2. **Do not work under vehicle being lifted by the Jack.**
2. **Use Jack for lifting only.** Do not use this equipment for any other purpose. Immediately after lifting, support the load with appropriate supporting equipment.
3. **Place Jack correctly.** Only use this equipment on a surface that is stable, level, hard and dry, and capable of sustaining the load.
4. **Stabilize load.** Ensure that the load remains stable at all times. Do not move load while on the Jack. Lift dead loads only.
5. **Vehicle lifting.** When lifting a vehicle, apply the emergency brake, and block all wheels.
6. **Center Load.** Center the load on the Jack Saddle. Off center loads can damage the seals, causing Jack failure.
7. **Not to be used for aircraft purposes.**
8. **Do not move the vehicle while it is on the Jack.**
9. **Do not make any alterations or modifications to this Jack.**
10. **Consult vehicle's manual for advised lift points.** Only use advised lift points when using Jack. Lifting in other areas can cause damage to vehicle and cause unplanned, sudden lowering of vehicle.

Unpacking

When unpacking, check to make sure the following parts are included: Assembled Frame and Handle Assembly (20, 21, 22, 23). Refer to the Parts Lists and Assembly Drawings at the end of this manual. If any parts are missing or broken, please call Harbor Freight Tools at the number on the cover of this manual as soon as possible.

Handle Assembly

1. Slide the Upper Handle (23) into Lower Handle (20). As you slide it on, depress the Handle's Lock Button, allowing the mating hole to line up with Lock Button. The Lock Button should snap out securely, holding the Upper Handle and Lower Handle together.
2. Loosen Handle Base Screw (19). Insert the Handle assembly into the Handle Base (17), engaging the release valve.
3. Tighten Handle Base Screw (19).



Operation

1. Test Jack by turning Handle completely clockwise, and pump Handle up and down. The Jack Saddle should rise and stay at that level. If Jack does not rise properly, it may be necessary to bleed air or add fluid. See Maintenance Instructions below and on the following page.
2. Turn the Handle counterclockwise. The Saddle should lower completely.
3. Position the Jack under the equipment or vehicle to be lifted.

Warning: The Jack, and equipment being lifted, must be stable so when lifted, they do not fall and cause personal injury. Keep spectators away from the work area.

4. Turn the Handle clockwise to close the release valve.
5. Pump the Handle up and down until the Jack just touches the item being lifted.
Readjust the Jack position so that the equipment is centered on the Jack's Saddle.
6. Continue pumping until Jack is fully extended, or the equipment is lifted to the desired height.
7. Place vehicle stands, or other support devices under the equipment before attempting to do any work in or around it.

Caution: Avoid rapid descent to avoid spilling of load. Turn the Handle slowly.

8. Slowly and carefully lower the load by turning the Handle counterclockwise in extremely small increments.
9. When finished using the Jack, perform maintenance on it, and store with the release valve open (Handle turned completely counterclockwise).

Oil Replacement

1. Place Jack in an upright position.
2. Completely lower the Saddle (41).
3. Remove the Oil Plug (13A).
4. **Fill with high-quality hydraulic jack oil to the lower rim of the fill hole.**
5. Purge air from the hydraulic system as previously described.
6. **Top off with more hydraulic oil.**
7. Replace Oil Plug.
8. Wipe up any hydraulic oil overflow with a cloth.

To Bleed/Purge excessive air from system:

1. Place Jack on flat, level and solid surface.
2. Turn the Breathing Screw (14A) fully counterclockwise. (See **Figure 1**, below)
3. Turn Handle (20) to a position where Discharge Valve is closed enough for the Saddle (41) to rise when you pump with no pressure on the Saddle, but open enough so that the Saddle does not rise when you pump with one hand while applying pressure to the Saddle with your other hand. (If the Saddle is up, turn the Handle slowly counterclockwise until the Saddle begins to go down slowly. If the Saddle is down, while pumping quickly, turn the Handle slowly clockwise until the Saddle begins to rise.)
4. While holding down the Saddle with one hand, rapidly pump the Handle with the other hand, so that air comes out from between the Breathing Screw and the Oil Plug (13A). Continue pumping until air stops coming out and you see oil appearing between the Breathing Screw and the Oil Plug.
5. Tighten the Breathing Screw by turning it clockwise as far as it will go. Then turn it once 360° counterclockwise.

Breathing
Screw (14A)



Maintenance - General

1. Periodically lubricate the joints and Ram (37A) with a light oil as needed.
2. Remove Handle and grease the lower end of Handle where it rotates in the Handle Base (17).
3. Using a grease gun, apply grease to all rod and arm axis points.
4. Oil all lift arm linkages, front wheels, and rear casters.
5. Clean the outside of the Jack with a dry, clean cloth.
6. If the Jack is exposed to moisture, wipe dry with a clean cloth and lubricate as noted in step 1.
7. Store Jack with piston Ram withdrawn (Saddle down), and in a clean and dry location.

If Saddle does not lower and the valve is open, there is too much Hydraulic fluid:

1. Unscrew Oil Plug.
2. Push Saddle and Handle down at the same time.
3. Wipe off any oil that spills.
4. Replace Oil Plug and tighten with Wrench.

If more than eight strokes of Handle is needed to raise Saddle, there may be air in the system.

In that case, follow the Bleed/Purge Instructions, making sure to use full strokes.

If the Saddle does not go up at all during full strokes and valve is closed, there may be excessive air or insufficient hydraulic fluid in the system:

1. Place Jack on a flat, level surface and turn Handle clockwise as far as it goes.
2. Turn Breathing Screw clockwise fully.
3. Turn Handle clockwise fully.
4. Repeatedly pump Handle. Continue as long as air comes out or until Saddle begins to rise. Once Saddle begins to rise, stop pumping and follow Bleed/Purge Instructions. If Saddle does not begin to rise and air does not seem to be purging or bleeding, follow Oil Replacement Instructions.

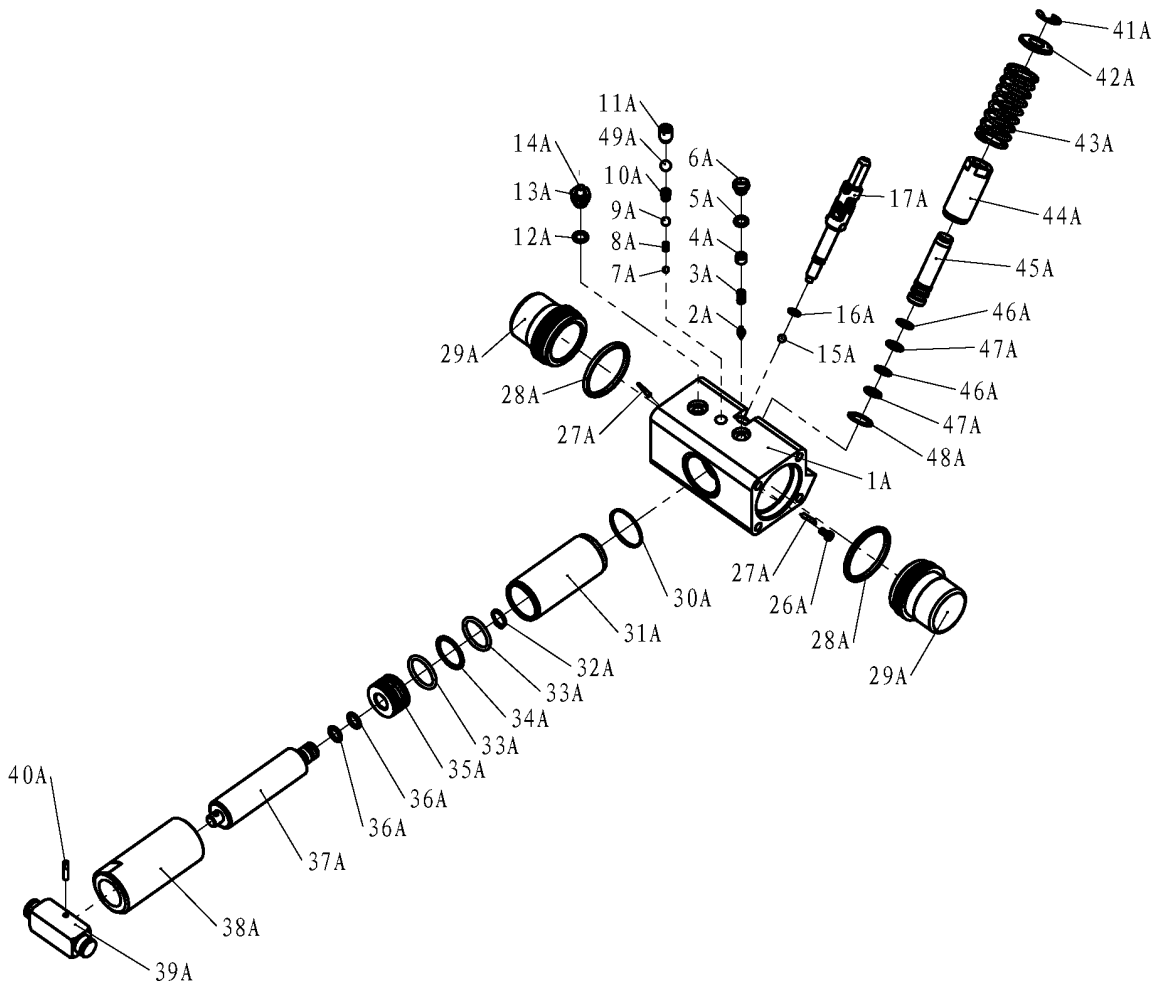
If Handle will not go down:

1. Make sure load is not exceeding 3,000 lb. capacity.
2. Make sure Saddle is not already at maximum height. If it is, lower and reposition under different part of vehicle.
3. If Jack functions properly and you are unable to push down and apply the required 150 lbs. of force needed to operate Jack, seek the help of another person for assistance.

Parts List and Assembly Diagram 2

Part	Description	Q'ty
1A	Aluminum Base	1
2A	Safety Valve	1
3A	Relief Valve Spring	1
4A	Regulator Bolt	1
5A	Seal Washer	1
6A	Seal Bolt	1
7A	Steel Ball	1
8A	Separator	1
9A	Steel Ball	1
10A	High Pressure Spring	1
11A	High Pressure Bolt	1
12A	O-Ring	1
13A	Oil Plug	1
14A	Breathing Screw	1
15A	Steel Ball	1
16A	O-Ring	1
17A	Discharge Valve Rod	1
26A	Bolt	1
27A	Oil Strainer	2
28A	O-Ring	2
29A	Oil Cover	2

Part	Description	Q'ty
30A	O-Ring	1
31A	Hydraulic Cylinder	1
32A	Snap Ring	1
33A	O-Ring	2
34A	Rear Seal	1
35A	Bushing	1
36A	O-Ring	2
37A	Ram	1
38A	Aluminum Bar	1
39A	Block Linkage	1
40A	Spring Pin	1
41A	Snap Ring 12	1
42A	Piston Cover	1
43A	Press Spring	1
44A	Pump Case	1
45A	Pump Core	1
46A	Back-Seal	2
47A	O-Ring	2
48A	Washer	1
49A	Steel Ball	1



Parts List 1

Item #	Description	Qty
1	Screw, M10x25	2
2	Washer, Inner Tighten, 10	2
3	Link Rod Axis	2
4	Screw, M8x25	2
5	Washer, 8	2
6	Washer, 8	2
7	Screw Bushing	2
8	Screw, M10x25	8
9	Rear Wheel Set	2
10	Rear Wheel Saddle	2
11	Screw, M10x25	2
12	Linkage Washer	2
13	Nut, M12	2
14	Screw, M8x25	2
15	Screw, M10x25	6
16	Screw Bushing	2
17	Handle Base	1
18	Handle Base Axis	2
19	Handle Base Screw	1
20	Handle, Lower	1
23	Handle, Upper	1

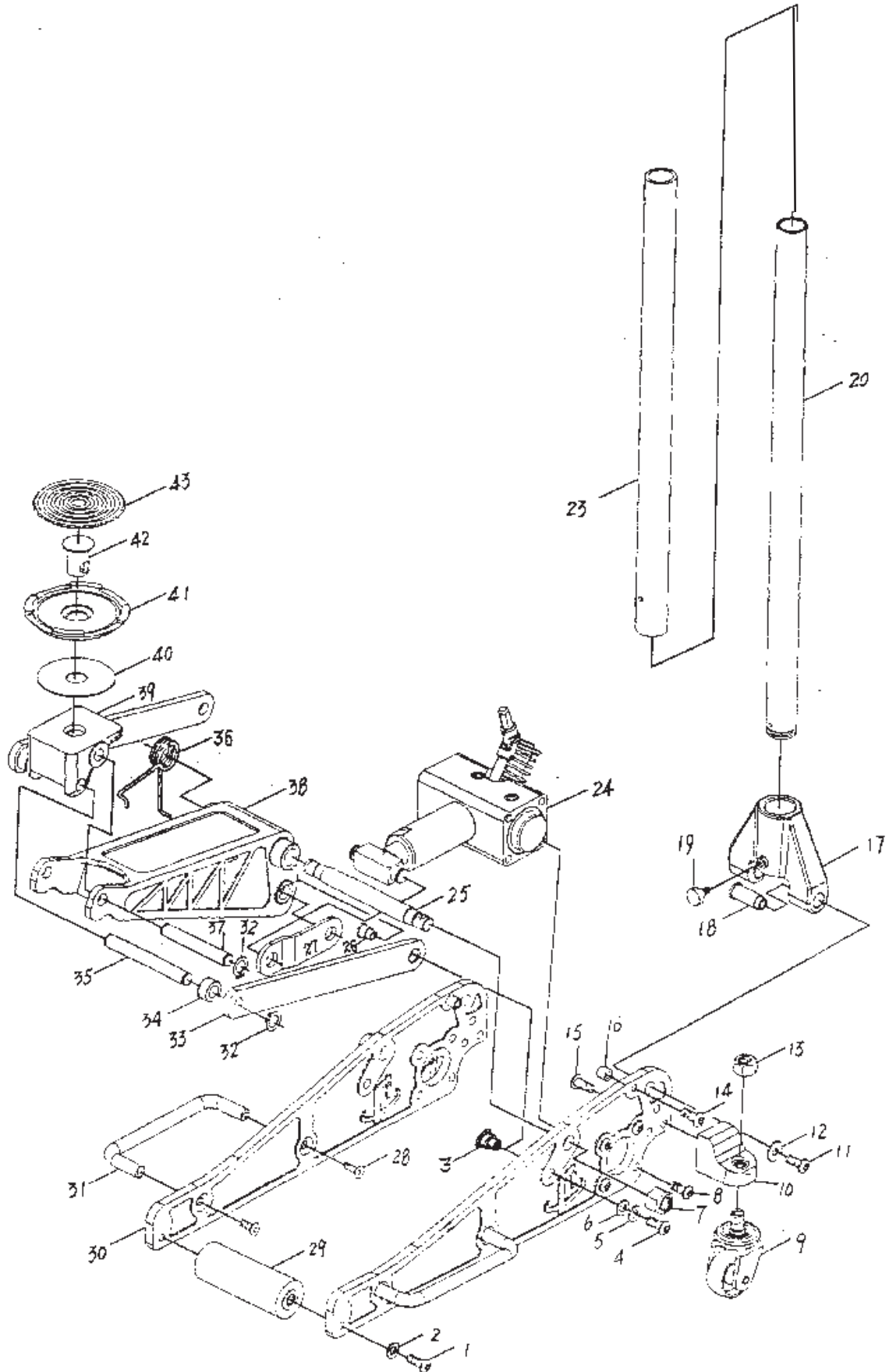
Item #	Description	Qty
24	Power Unit Assy.	1
25	Raise Arms Axis	1
26	Pull Rod Axis	2
27	Pull Rod	2
28	Set Screw, Inner Angular	4
29	Wheel, Front Caster	1
30	Right Frame	2
31	Handle Bar	4
32	C-ring, S16	2
33	Link Rod	2
34	Link Rod Washer	2
35	Saddle Base Axis (long)	1
36	Turn Spring (right/left)	1
37	Saddle Base Axis (short)	1
38	Lift Arm	1
39	Saddle Base	1
40	Nylon Washer	1
41	Saddle	1
42	Holder Axis	1
43	Rubber Saddle Pad	1

NOTE: Some parts are listed and shown for illustration purposes only and are not available individually as replacement parts.

PLEASE READ THE FOLLOWING CAREFULLY

THE MANUFACTURER AND/OR DISTRIBUTOR HAS PROVIDED THE PARTS DIAGRAM IN THIS MANUAL AS A REFERENCE TOOL ONLY. NEITHER THE MANUFACTURER NOR DISTRIBUTOR MAKES ANY REPRESENTATION OR WARRANTY OF ANY KIND TO THE BUYER THAT HE OR SHE IS QUALIFIED TO MAKE ANY REPAIRS TO THE PRODUCT OR THAT HE OR SHE IS QUALIFIED TO REPLACE ANY PARTS OF THE PRODUCT. IN FACT, THE MANUFACTURER AND/OR DISTRIBUTOR EXPRESSLY STATES THAT ALL REPAIRS AND PARTS REPLACEMENTS SHOULD BE UNDERTAKEN BY CERTIFIED AND LICENSED TECHNICIANS AND NOT BY THE BUYER. THE BUYER ASSUMES ALL RISK AND LIABILITY ARISING OUT OF HIS OR HER REPAIRS TO THE ORIGINAL PRODUCT OR REPLACEMENT PARTS THERETO, OR ARISING OUT OF HIS OR HER INSTALLATION OF REPLACEMENT PARTS THERETO.

Assembly Diagram 1



LIMITED 90 DAY WARRANTY

Harbor Freight Tools Co. makes every effort to assure that its products meet high quality and durability standards, and warrants to the original purchaser that this product is free from defects in materials and workmanship for the period of 90 days from the date of purchase. This warranty does not apply to damage due directly or indirectly, to misuse, abuse, negligence or accidents, repairs or alterations outside our facilities, criminal activity, improper installation, normal wear and tear, or to lack of maintenance. We shall in no event be liable for death, injuries to persons or property, or for incidental, contingent, special or consequential damages arising from the use of our product. Some states do not allow the exclusion or limitation of incidental or consequential damages, so the above limitation of exclusion may not apply to you. THIS WARRANTY IS EXPRESSLY IN LIEU OF ALL OTHER WARRANTIES, EXPRESS OR IMPLIED, INCLUDING THE WARRANTIES OF MERCHANTABILITY AND FITNESS.

To take advantage of this warranty, the product or part must be returned to us with transportation charges prepaid. Proof of purchase date and an explanation of the complaint must accompany the merchandise. If our inspection verifies the defect, we will either repair or replace the product at our election or we may elect to refund the purchase price if we cannot readily and quickly provide you with a replacement. We will return repaired products at our expense, but if we determine there is no defect, or that the defect resulted from causes not within the scope of our warranty, then you must bear the cost of returning the product.

This warranty gives you specific legal rights and you may also have other rights which vary from state to state.

3491 Mission Oaks Blvd. • PO Box 6009 • Camarillo, CA 93011 • (800) 444-3353