

BLACKHAWK

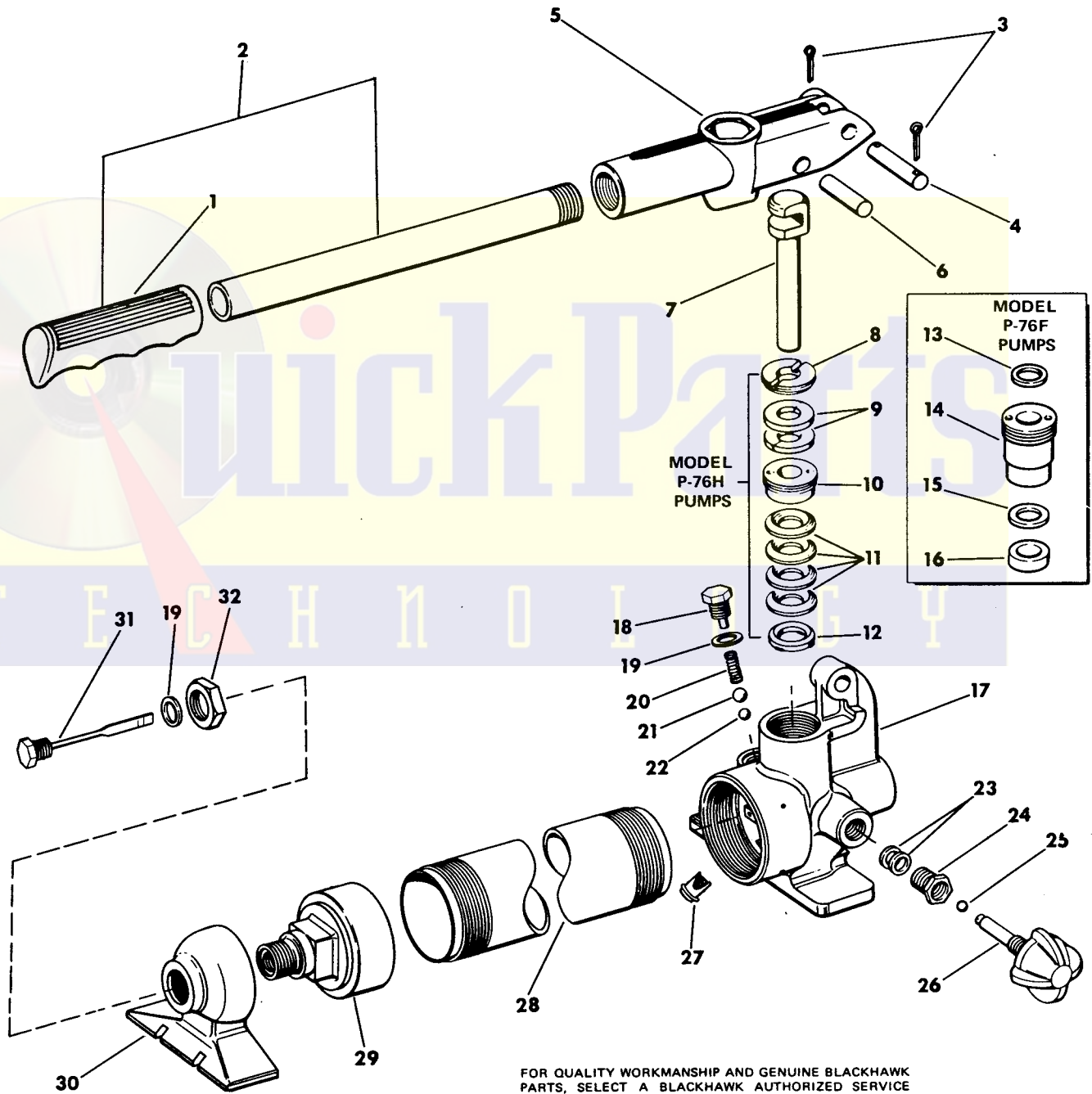
Porto-Power
Body Repair Equipment

Repair Parts Information

Hydraulic Pump

MODEL P-76

Serial Codes F&H



FOR QUALITY WORKMANSHIP AND GENUINE BLACKHAWK PARTS, SELECT A BLACKHAWK AUTHORIZED SERVICE DEPOT FOR YOUR REPAIR NEEDS. THE CLASSIFIED SECTION IN YOUR PHONE BOOK LISTS YOUR NEAREST AUTHORIZED SERVICE DEPOT.

USE ONLY LX-21 JACK OIL AND GENUINE FACTORY PARTS. USE OF OTHER HYDRAULIC FLUIDS OR NON-GENUINE PARTS VOIDS WARRANTY.

NEVER USE BRAKE FLUID.

REPAIR PARTS LIST

Item No.	Part No.	No. Req.	Description
1	B525-550	1	Grip
2	B524-900	1	Handle Assembly
*3	S1.58	2	Cotter Pin
4	P76.63	1	Beam Pin
5	B113.060-1	1	Beam
6	P75.57	1	Cross Pin
7	P16.51	1	Plunger
8	P16.54	1	Nut (Code H)
*9	P16.75	3	Packing (Code H)
10	P16.55	1	Nut (Code H)
*11	S1.53	4	Cup (Code H)
12	S1.52-2	1	Spreader (Code H)
**13	H24.108	1	Wiper (Code F)
14	H25.055	1	Nut (Code F)
**15	H26.041	1	Wiper (Code F)
**16	H-28.041	1	Cup (Code F)
17	B107.005-1	1	Base
18	K3.006	1	Plug
*19	B159.167	2	Gasket
*20	S1.183	1	Spring
*21	S1.16	1	Ball, 5/16"
*22	1.16	1	Ball, 7/32"
*23	B217.074	2	Packing
24	MJ.11-1	1	Nut
*25	P208.16	1	Ball, 3/16"
26	J435.900	1	Valve
27	E394.018	1	Filter
28	P16.25	1	Reservoir
29	P75.266-1	1	Cap
30	P76.267-1	1	Rest
31	B110.900	1	Plug
32	P75.181	1	Nut
†33	Z.909	1	Hose, 6'
†34	ZH.604	1	Coupler (Hose End)
†35	ZR.400	1	Coupler (Ram End)
†36	Z.604	1	Coupler Complete
†37	LX.21	1	43 Cu. In. Special Oil
†38	E740.026	1	Decal (Repair)
**	P76X-2	1	Repair Kit P-76F
*	P76X	1	Repair Kit P-76H

† Not shown
 For economical maintenance order Repair Kits.
 Items included in Kits are marked with asterisks (* or **).

NOTE: Orders for parts cannot be filled unless both model and serial number with prefix imprinted on nameplate are given.

WARRANTY

Blackhawk warrants its repair parts against defects in workmanship and materials for 90 days from date of delivery to user. Chain is not warranted. Warranty does not cover ordinary wear and tear, abuse, misuse, overloading, altered products or use of improper fluid.

WARRANTY RETURN PROCEDURE

When question of warranty claim arises, the user should send his unit to the nearest Blackhawk Authorized Service Depot for inspection, transportation to be prepaid and evidence of purchase date furnished. If the claim comes under the terms of our warranty, the Authorized Service Depot will REPAIR OR REPLACE PARTS AFFECTED and return prepaid.

BLACKHAWK®