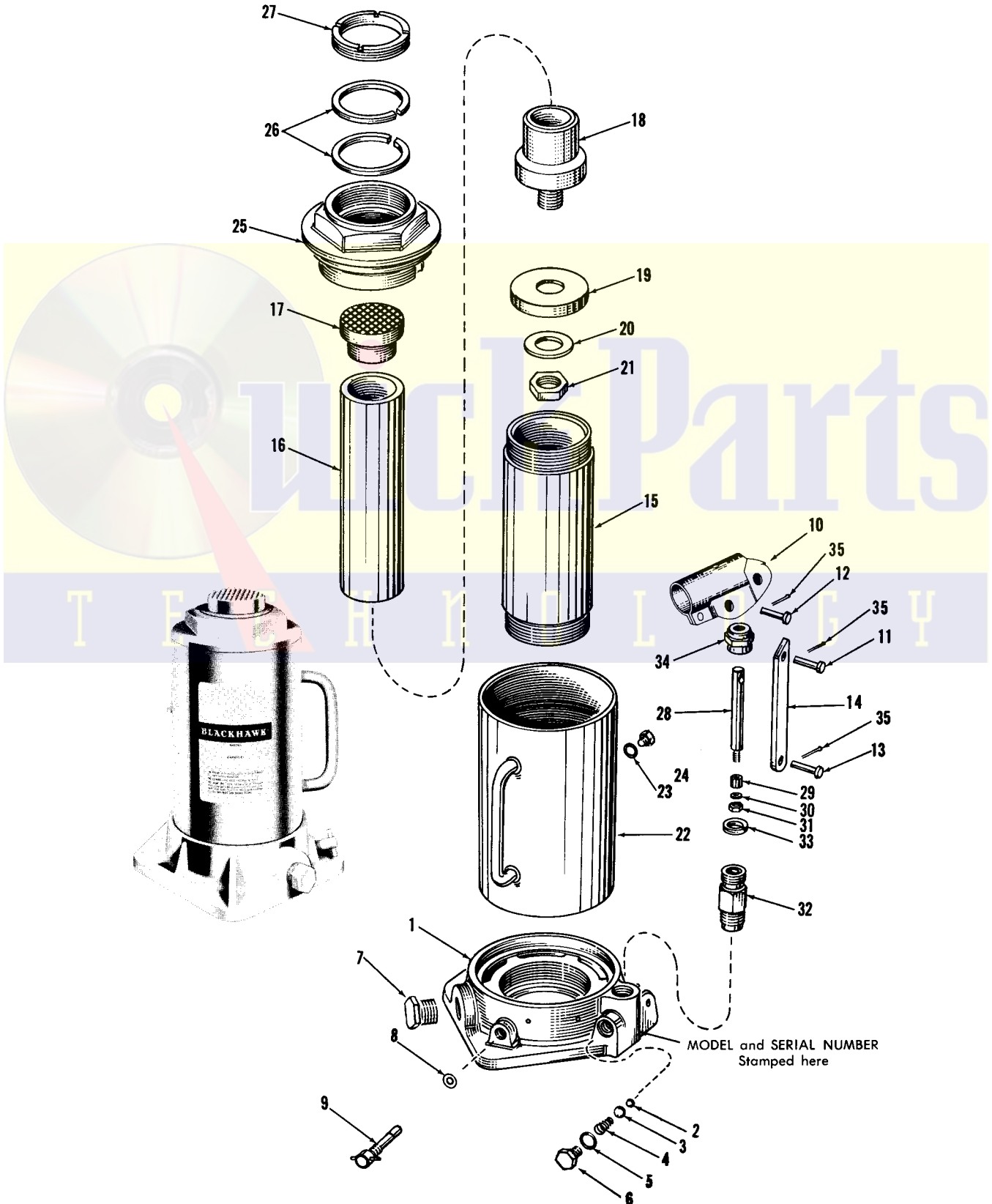


Master Copy

# repair parts

# BLACKHAWK®

MODEL EA-11 HAND JACK  
SERIAL CODE C & D  
RATED CAPACITY 20-TON



# REPAIR PARTS LIST FOR EA-11 SERIAL CODE C & D JACK

Item No.	Part No.	No. Req.	Description	Item No.	Part No.	No. Req.	Description
1	EA11.05-2	1	Base	*29	F11.53	1	Pump Cup
* 2	1.16	1	Valve Ball	*30	F11.52	1	Pump Cup Spreader
* 3	S1.16	1	Valve Ball	31	CB9.55	1	Pump Cup Retaining Nut
* 4	BA85.183	1	Outlet Valve Spring	32	CB.9-50-1	1	Pump Cylinder
* 5	B159.167	1	Valve Plug Gasket	*33	5.75	1	Pump Packing
* 6	CB9.185-2	1	Valve Plug	34	CB9.54-1	1	Pump Gland Nut
7	P5.245-1	1	½" Pipe Plug	*35	1.58	3	Cotter Pin
8	AJ100.312	1	Release Valve "O" Ring		AJ10.011	1	Handle
9	AJ10.059	1	Release Valve Spindle		NJ100.025	1	Decal
10	J19.60	1	Beam				Blackhawk Oil No. LX21 1½ Pt. (44 Cu. In.)
11	TC7.57	1	Beam Link Pin				
12	AJ100.062	1	Beam Pin				
13	BA85.57-1	1	Base Link Pin				
14	BA85.62-2	1	Link				
15	EA11.30-1	1	Cylinder		CB9.50A-1		SUB-ASSEMBLIES Pump Cylinder & Plunger Complete items 28 thru 34 incl.
16	EA11.40-1	1	Plunger				
17	EA11.45-1	1	Saddle		CB9.60A-2		Beam, Link Complete items 10, 11, 14, 35
18	EA11.29	1	Plunger Plug				
*19	EA11.41-1	1	Plunger Cup		‡BA85.10A-1	1	Release Valve Assembly
20	EA11.43-1	1	Std. S.A.E. Washer		‡CB9.11-1	1	Release Valve Packing Nut
21	EA11.120	1	Plunger Cup Retaining Nut		‡*1.74	1	Release Valve Packing
22	EA11.25A-2	1	Reservoir		‡*CB9.335	1	Release Valve Packing Washer
*23	C9.37	1	Filler Plug Gasket				
24	C9.22-2	1	Filler Plug				
25	EA11.20-1	1	Top Cap				
*26	EA11.76-1	2	Plunger Packing				
27	EA11.21-1	1	Gland Nut				
28	CB9.51-1	1	Pump Plunger				
							‡These parts not shown are used on EA11C old style only.
							*For economy repair use Jack/Saver Kit EA11K-3. Items included in Kit marked with an asterisk (*).

**NOTE:** Orders for parts cannot be filled unless both model and serial number with prefix imprinted on nameplate are given.

## FRANCHISED SERVICE DEPOTS



For quality workmanship with genuine Blackhawk parts select a Franchised Blackhawk Service Depot for your repair work. Only repairs performed by a Franchised Service Depot displaying this official sign are backed with full factory guarantee. The Classified Section in your Phone Book lists your nearest Franchised Service Depot.

## GUARANTEE

Blackhawk guarantees its Products against defects in workmanship and materials for 90 days from date of delivery to the user. Only exception is chain, which follows the trade custom of its manufacturers and cannot be guaranteed. When question of warranty arises, the user should send his unit to the nearest Blackhawk Franchised Service Depot for inspection, transportation to be prepaid and evidence of purchased date furnished. If the difficulty comes under the terms of our guarantee, the Franchised Service Depot will repair or replace parts affected and return prepaid. Our guarantee does not cover ordinary wear and tear, abuse, misuse, overloading, altered products or use of improper fluid.

PARTS, SERVICE INFORMATION AND THE ADMINISTRATION OF FRANCHISED SERVICE DEPOTS FOR BLACKHAWK PRODUCTS IS PROVIDED BY —

## BLACKHAWK SERVICE

MILWAUKEE, WISCONSIN 53246

DIVISION OF APPLIED POWER  INDUSTRIES, INC.

Please direct all Service Correspondence to BLACKHAWK SERVICE