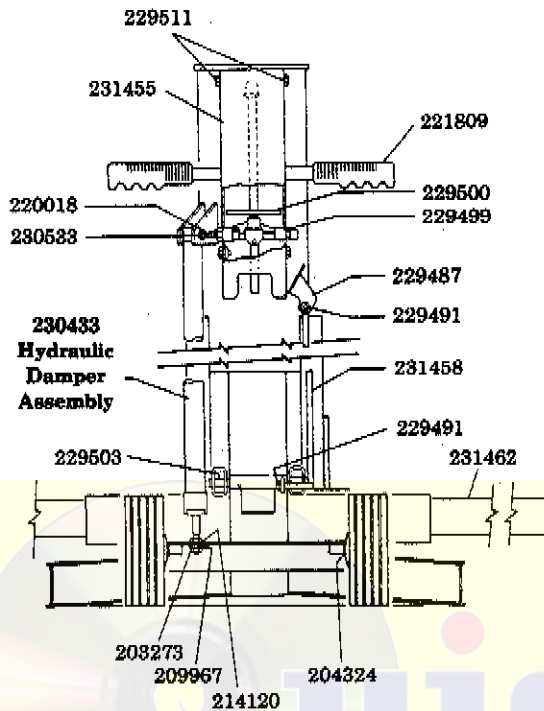


AIR OPERATED END LIFT

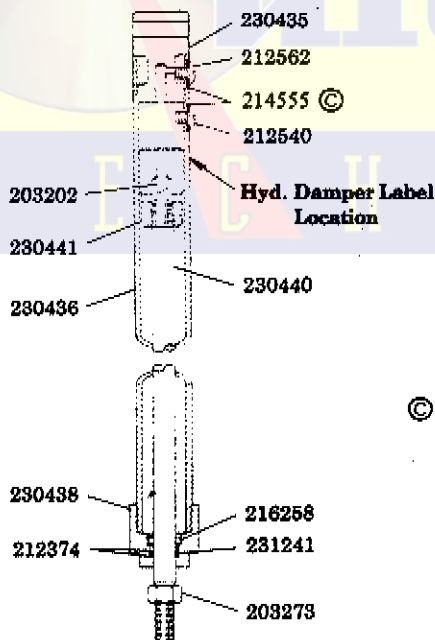
2-1/2 TON CAPACITY

Models 91-696 93696, YA696 Series "C"

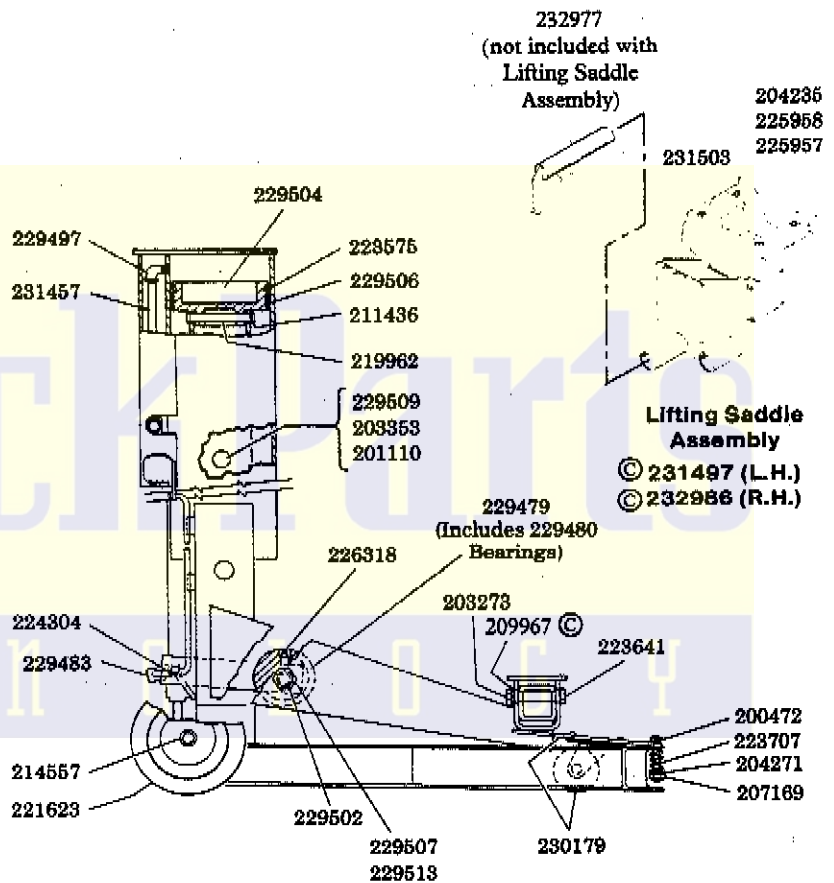


MODEL	*LABEL KIT NO.	REPAIR KIT NO.	REPAIR KIT FOR 230433 HYDRAULIC DAMPER
91-696	240094	240515	240512
93696	240095	240515	240512
YA696	240097	240515	240512

***IMPORTANT:** Replace label on hydraulic damper as well as all other labels.



230433 HYDRAULIC DAMPER ASSEMBLY



Lifting Saddle Assembly

© 231497 (L.H.)
© 232986 (R.H.)

© Indicates Change

SPECIFICATIONS

Low Pickup Height	High Lifting Point	Power Raise	Saddle Spread	Clearance (Air Tank to Front of Saddle)	Min. psi for Rated Load
10"	40"	30"	19-1/2" - 66"	16"	150

LINCOLN

A PENTAIR COMPANY

One Lincoln Way
St. Louis, MO 63120-1578
Customer Service, (314) 679-4300

SECTION - **W4**
PAGE - **2E**

L-APR-87

Copyright 1987
Printed in U.S.A.

FORM 10363E

TROUBLESHOOTING

PROBLEM	SOLUTION
1) Will not lift load.	Air pressure might be too low — 150 PSI minimum air pressure to lift rated load. Air hose might be plugged — Remove obstruction from air hose. Air hose I.D. might be too small — Use larger air hose.
2) Will not lower.	The safety dog might be engaged. Admit air until the jack raises slightly, then disengage safety dog.
3) Jack is very bouncy.	Cylinder might need lubrication — Apply #630-AAA LUBRIPLATE to cylinder wall.

If the above procedures do not correct the problem, contact your nearest Authorized Warranty and Service Center. When submitting any jack or equipment to be repaired, be sure to state the nature of the problem and indicate whether an estimate of the repair cost is needed.

SERVICE PARTS

PART	QUAN.	DESCRIPTION	PART	QUAN.	DESCRIPTION	PART	QUAN.	DESCRIPTION
200472	2	Screw	221809	2	Handle bar grip	229509	1	Bolt
201110	3	Lockwasher	*223575	1	U-cup packing	229511	4	Bolt
203202	1	Ball	223641	2	Bolt	229513	2	Lockwasher
203273	4	Nut	223707	2	Spring	230179	1	Caster
203353	1	Nut	224304	1	Roll pin	230433	1	Hydraulic damper ass'y.
204235	8	Washer	225957	8	Screw	230435	1	Cylinder plug
204271	2	Washer	225958	8	Retaining nut	230436	1	Damper cylinder
204324	2	Washer	226318	1	Grease fitting	230438	1	Bottom cap
207169	2	Nut	229479	1	Roller & bearing ass'y.	230440	1	Piston rod
209967	3	Lockwasher	229480	2	Needle bearing	230441	1	Piston
211436	1	Retaining ring	229483	1	Safety dog assembly	230533	1	Pin
†212374	2	Washer	229487	1	Lever	†231241	1	Quad ring
212540	1	Filler screw	229491	2	Pushnut	231455	1	Shroud
212562	1	Air vent screw	229497	1	Elbow	231457	1	Air tube
214120	1	Spacer	229499	1	Air valve	231458	1	Safety dog handle
†214555	2	O-ring	229500	1	Spacer	231462	2	Lifting beam assembly
214557	2	Retaining ring	229502	1	Roller axle	231497	1	Lifting saddle ass'y. (L.H.)
†216258	1	Pump gland cover	229503	1	Pin	231503	2	Lifting pad
219962	1	Pin	229504	1	Piston	232977	2	Rod & finger ass'y.
220018	1	Retaining ring	*229506	1	Wiper ring	232986	1	Lifting saddle ass'y. (R.H.)
221623	2	Wheel	229507	2	Nut			

*Included in 240515 Repair Kit.

†Included in 240512 Repair Kit for 230433 Hydraulic Damper Assembly.

RETAIN THIS INFORMATION FOR FUTURE REFERENCE

When ordering replacement parts, list: Part Number, Description, Model Number, and Series Letter.

LINCOLN provides a Distributor Network that stocks equipment and replacement parts.

A list of Authorized Service Departments will be furnished upon request.