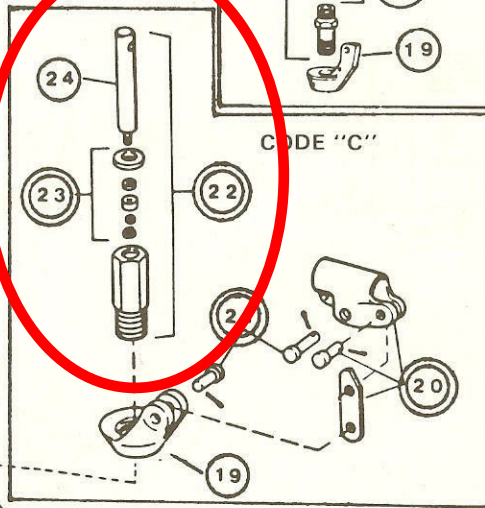
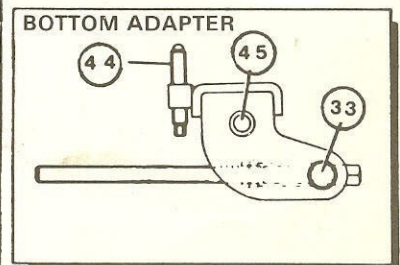
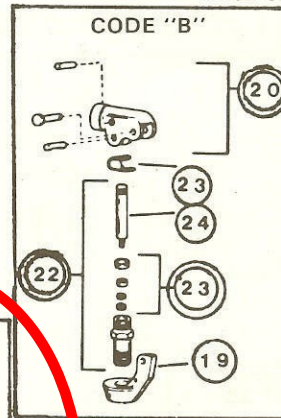
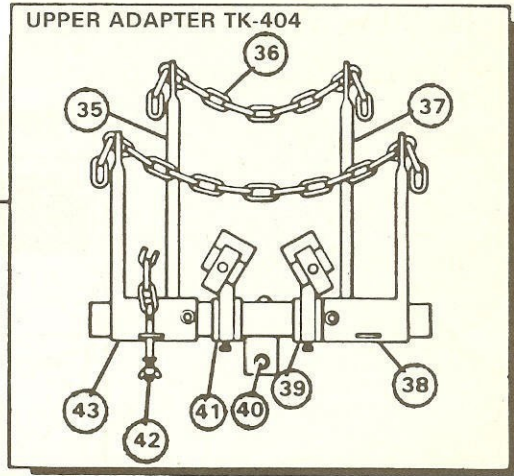
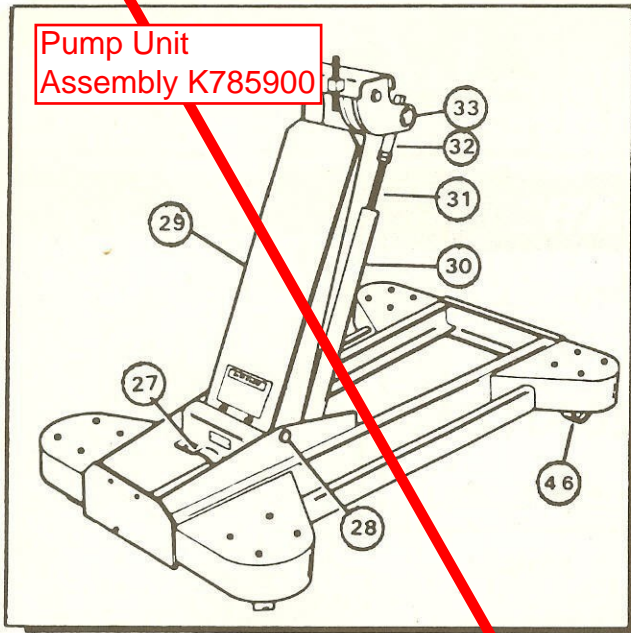
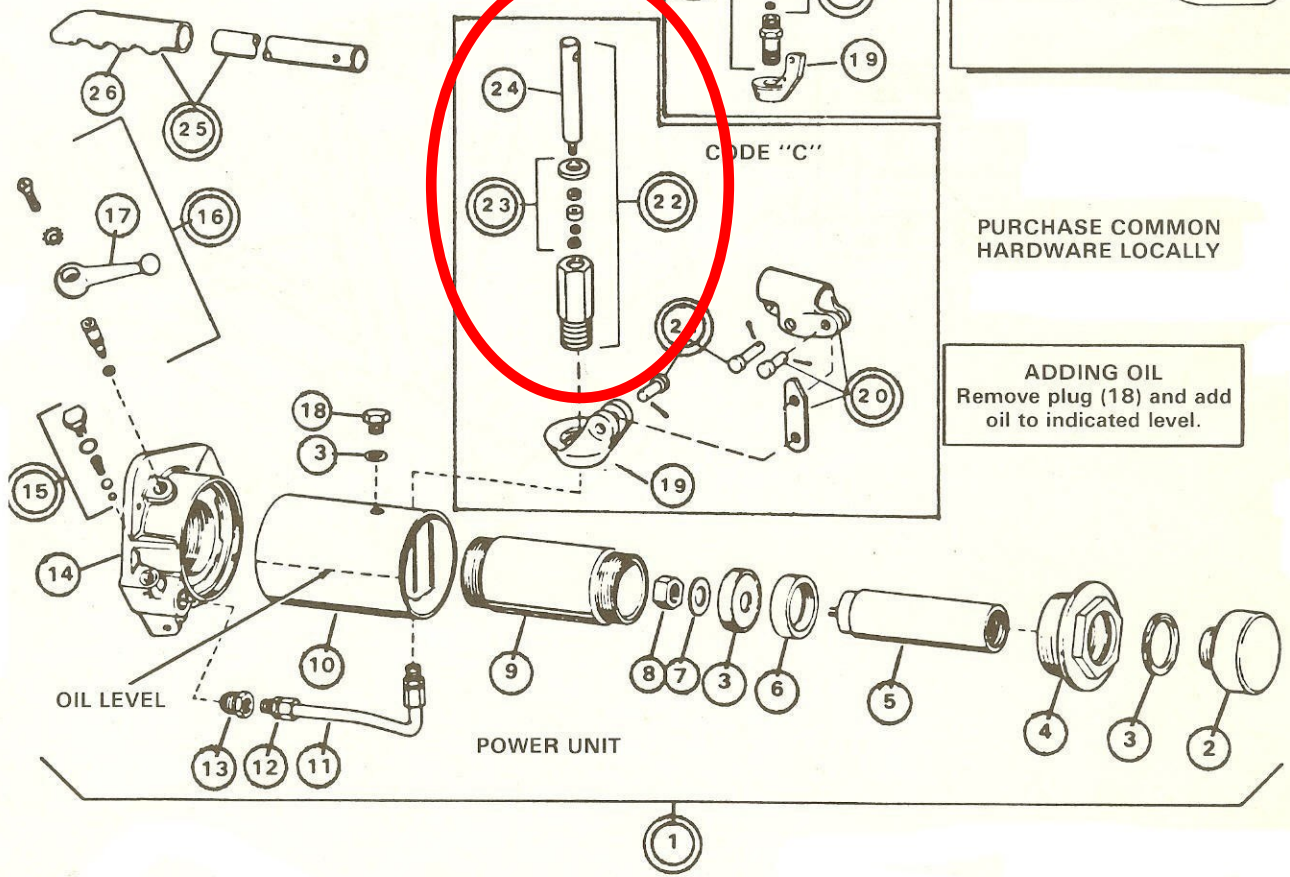


Pump Unit
Assembly K785900



PURCHASE COMMON
HARDWARE LOCALLY

ADDING OIL
Remove plug (18) and add
oil to indicated level.



POWER UNIT

OIL LEVEL

REPAIR PARTS LIST

Code No.	Code B	Code C	Description	No. Req'd
1	K012900	99000004	Power Unit	1
2	J421045	J421045	Saddle	1
3	67552X	67552X	Repair Kit, Universal	1
4	K519020	K519020	Top Cap	1
5	KJ100019	KJ100019	Plunger	1
6	KJ100020	KJ100020	Plunger Ring	1
7	KJ100011	KJ100011	Plunger Cup Washer	1
8	KJ100015	KJ100015	Plunger Cup Nut	1
9	KJ100007	KJ100007	Cylinder	1
10	K902025	K902025	Reservoir	1
11	J427268	J427268	Tube	1
12	J426096	J426096	Fitting	2
13	J580096	J580096	Pump Nipple	1
14	E672005	E672005	Base	1
15	U34X8	U34X8	Valve Kit	1
16	U32X8	U32X8	Release Valve Kit	1
17	P6012	P6012	Release Valve Handle	1
18	AJ100060	AJ100060	Reservoir Filler Plug	1
19	J772111	H95111	Swivel Block	1
20	U32X9	J718900	Pin & Beam w/Link	1
21	—	U32X6	Beam & Base Link Pins	1
22	K786900	K785900	Pump Unit	1
23	U33X	U30X3	Pump, Repair Kit	1

Code No.	Code B	Code C	Description	No. Req'd
24	J737040	K585040	Piston	1
25	J246900	J246900	Handle w/Grip	1
26	J345550	J345550	Grip	1
27	J424111	J424111	"U" Bolt	1
28	J411104	J411104	Lift Arm Shaft	1
29	J420103	J420103	Lift Arm	1
30	J414900	J414900	Parallel Arm	1
31	D45028	D45028	Adjusting Screw	1
32	D47039	D47039	Sleeve	1
33	D46061	D46061	Pivot Nut	1
34	TK404	TK404	Upper Adapter	1
35	K717111	K717111	Stud, R.H., 16-1/4"	1
36	D258066	D258066	Chain	3
37	K715111	K715111	Stud, L.H., 16-1/4"	1
38	K716111	K716111	Stud, R.H., 12-1/4"	1
39	D58111	D58111	Bracket, L.H.	1
40	J251104	J251104	Roller Shaft	1
40	A435524	A435524	Retaining Ring	2
41	D57111	D57111	Bracket, R.H.	1
42	D65017	D65017	Chain Hook	1
43	K714111	K714111	Stud, L.H., 12-1/4"	1
44	D64028	D64028	Tilt Screw	2
45	J249104	J249104	Cross Shaft	1
45	A434523	A434523	Retaining Ring	2
46	D66154	D66154	Casters	4
†	D53111	D53111	Lower Adapter Channel	1
†	D54111	D54111	Upper Adapter Channel	1
†	U34X2	U34X2	Hardware Package	1
*	K59064	K59064	Identification Decal	1

† — Not Shown

* — See Back Page