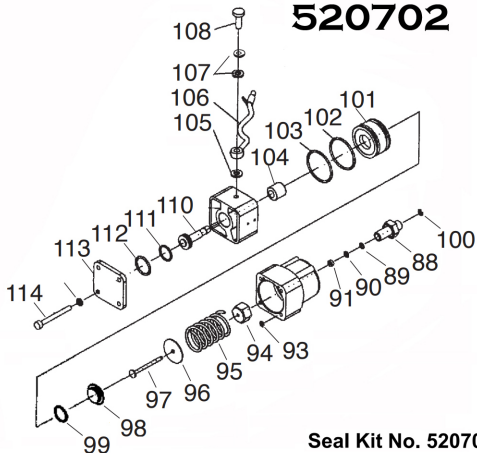


AIR PUMP ASSEMBLY

520702



Seal Kit No. 520700

Item No.	Qty.	Description
88	1	Cylinder Pump
*89	1	Y-Sealing Washer
*90	1	Nylon Washer
*91	1	Copper Washer
*93	1	O-ring
94	1	Hex Nut
95	1	Spring
96	1	Washer
97	1	Pump Plunger
*98	1	Washer
*99	1	O-ring
*100	1	Copper Washer
101	1	Piston

Item No.	Qty.	Description
*102	1	O-ring
*103	1	O-ring
*104	1	Sealing Washer
*105	1	Copper Joint Ring
106	1	Air Hose (with Air Valve)
*107	2	O-ring
108	1	Bolt
110	1	Release Air Rod
*111	1	O-ring
*112	1	O-ring
113	1	Cylinder Cover
114	4	Bolt

*Included in Seal Kit

NOTE: Parts 98 and 99 are found only on air motor for OTC 1788A.