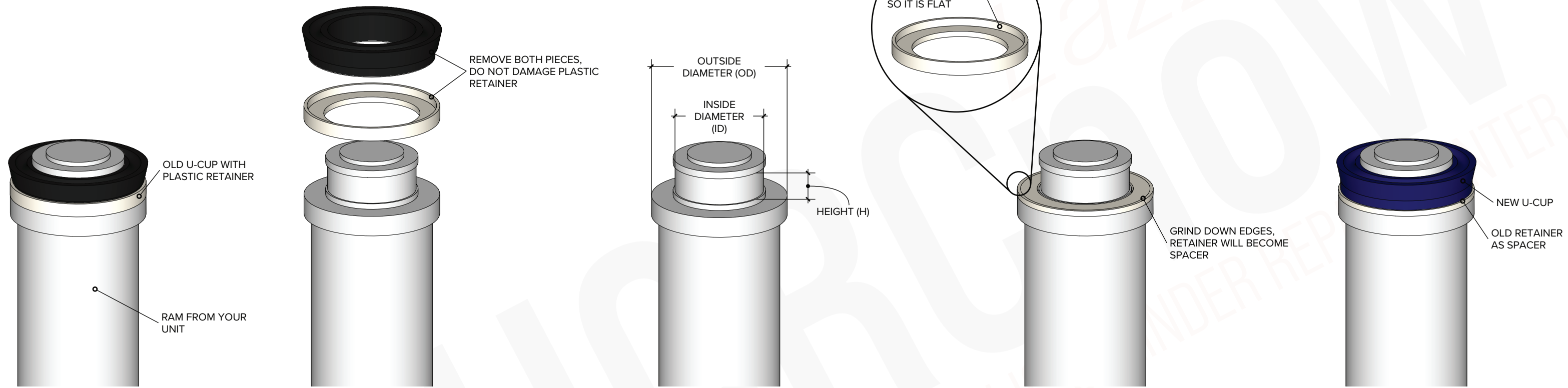


# HOW TO: MEASURE & REPLACE A U-CUP WITH RETAINER



**1** RAM WITH U-CUP AND PLASTIC RETAINER

**2** REMOVE U-CUP AND PLASTIC RETAINER

**3** MEASURE

ID \_\_\_\_\_ / OD \_\_\_\_\_ / H \_\_\_\_\_  
 ID \_\_\_\_\_ / OD \_\_\_\_\_ / H \_\_\_\_\_  
 ID \_\_\_\_\_ / OD \_\_\_\_\_ / H \_\_\_\_\_

**4** RE-USE PLASTIC RETAINER AS SPACER

**5** INSTALL NEW U-CUP