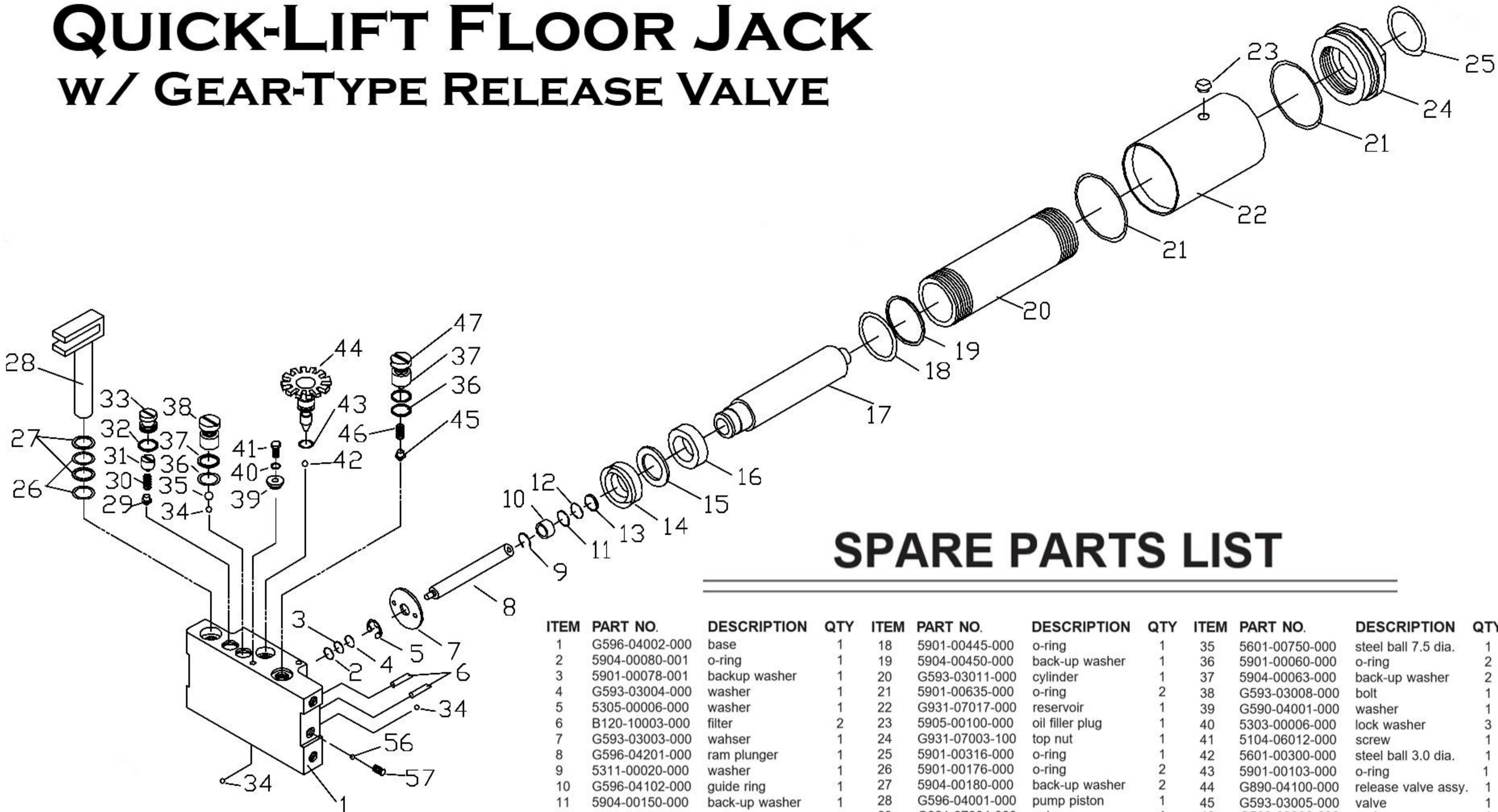


QUICK-LIFT FLOOR JACK W/ GEAR-TYPE RELEASE VALVE



SPARE PARTS LIST

ITEM	PART NO.	DESCRIPTION	QTY	ITEM	PART NO.	DESCRIPTION	QTY	ITEM	PART NO.	DESCRIPTION	QTY
1	G596-04002-000	base	1	18	5901-00445-000	o-ring	1	35	5601-00750-000	steel ball 7.5 dia.	1
2	5904-00080-001	o-ring	1	19	5904-00450-000	back-up washer	1	36	5901-00060-000	o-ring	2
3	5901-00078-001	backup washer	1	20	G593-03011-000	cylinder	1	37	5904-00063-000	back-up washer	2
4	G593-03004-000	washer	1	21	5901-00635-000	o-ring	2	38	G593-03008-000	bolt	1
5	5305-00006-000	washer	1	22	G931-07017-000	reservoir	1	39	G590-04001-000	washer	1
6	B120-10003-000	filter	2	23	5905-00100-000	oil filler plug	1	40	5303-00006-000	lock washer	3
7	G593-03003-000	wahser	1	24	G931-07003-100	top nut	1	41	5104-06012-000	screw	1
8	G596-04201-000	ram plunger	1	25	5901-00316-000	o-ring	1	42	5601-00300-000	steel ball 3.0 dia.	1
9	5311-00020-000	washer	1	26	5901-00176-000	o-ring	2	43	5901-00103-000	o-ring	1
10	G596-04102-000	guide ring	1	27	5904-00180-000	back-up washer	2	44	G890-04100-000	release valve assy.	1
11	5904-00150-000	back-up washer	1	28	G596-04001-000	pump piston	1	45	G593-03005-000	valve	1
12	5901-00150-000	o-ring	1	29	G931-07004-000	valve	1	46	G593-03006-000	spring	1
13	5308-00015-000	washer	1	30	G931-07005-000	spring	1	47	G593-03007-000	screw	1
14	5902-00412-000	u-cup for ram	1	31	G931-07006-000	screw safety valve	1	56	5601-00600-001	steel ball 6 dia.	2
15	5904-00260-000	back up washer	1	32	5901-00082-000	o-ring	1	57	5109-10010-000	screw	2
16	G593-03001-000	bushing cover	1	33	G593-03009-000	guard screw	1				
17	G596-04101-000	ram plunger	1	34	5601-00550-000	steel ball 5.5 dia.	3				