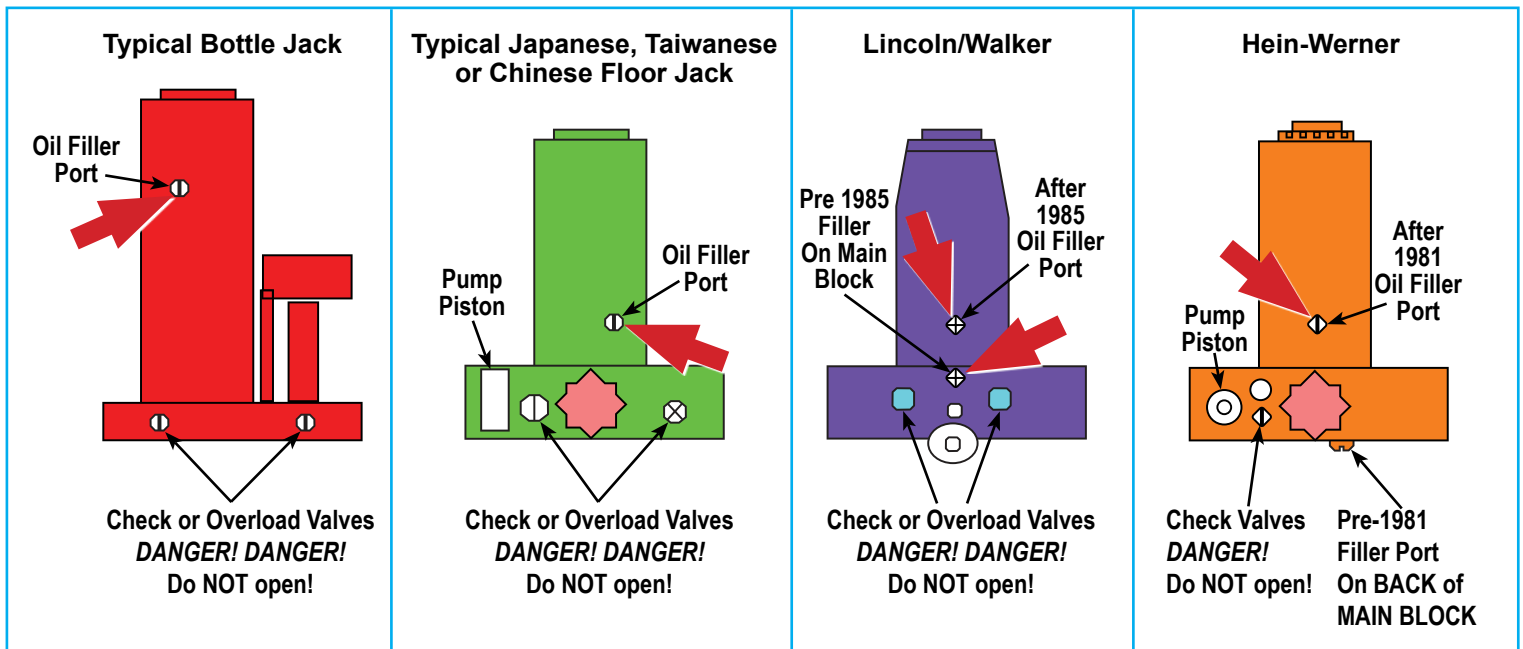


How-To: Fill Your Jack with Fluid

The **RED** arrow shows where to fill your Jack with fluid
Filler Port/plug.

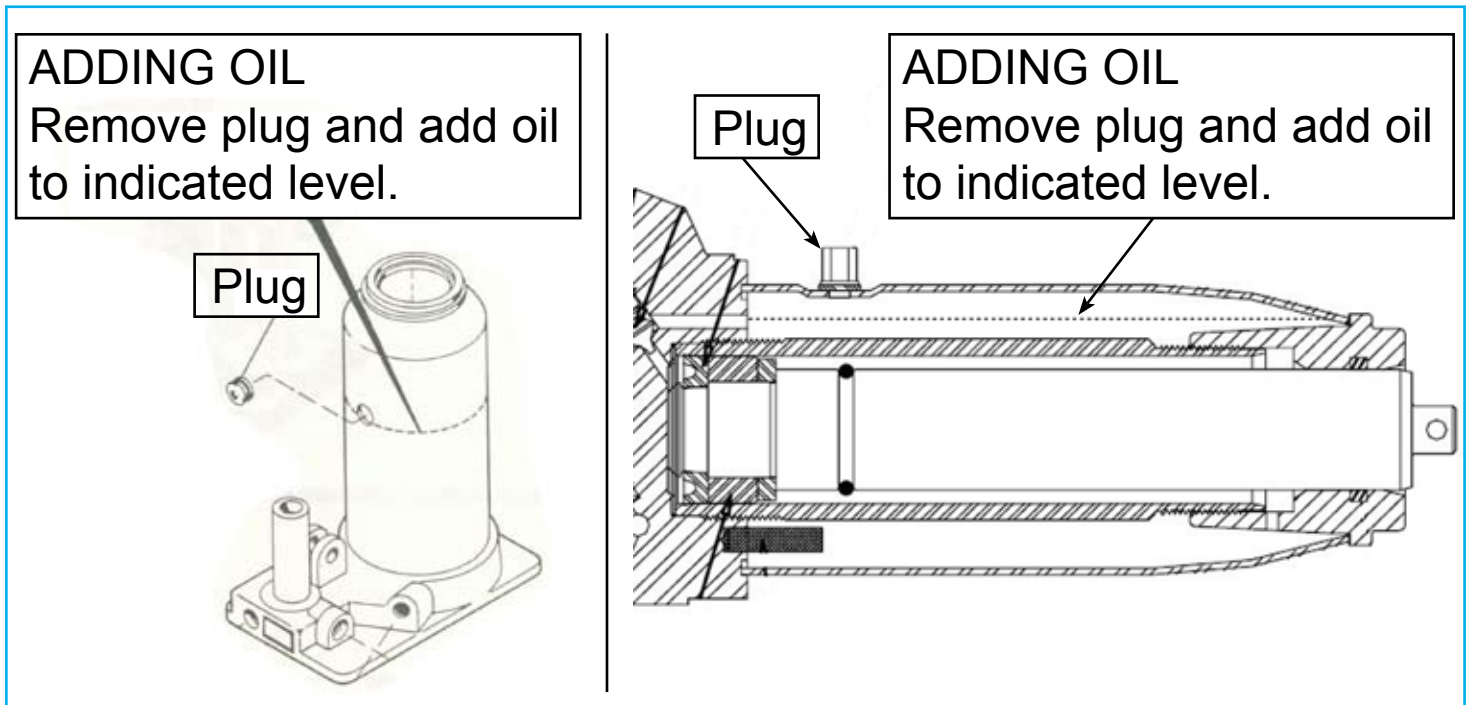


Instructions on:

How To Refill Your Hydraulic Floor or Bottle Jack With Fluid

Step 1 - Find the Filler hole. The hole is located in a different place on different jacks. However, most of the holes are usually found somewhere near the top of the reservoir. The reservoir is where the fluid is located. (Refer to the attached pictures as to potential locations)

Step 2 - Remove the filler plug. In most cases the plug will be a rubber stopper. Remove the rubber stopper with a flat screwdriver. Pry up one side and pop the plug out.



Step 3 - Fill the reservoir with hydraulic fluid. Be careful as to not over-fill. This will cause a hydraulic lock and the jack will not operate.

Filling a bottle jack - With the jack in an upright position. Fill until the fluid is level with the bottom of the fill hole.

Filling a floor jack - With the jack in a horizontal position. Fill until the fluid just covers the inside cylinder. About 3/8 inch below the fill hole.

Step 4 - Replace the filler plug after you have filled the floor/bottle jack, it is important that you replace the plug, so as to avoid any leaking from the jack.

Step 5 - Maintain fluid level in your floor/bottle jack at the correct level. Once the hydraulic fluid begins to get low, you will immediately notice a reduction in the performance of your jack. This should be the first hint that the jack is in need of care. Once you see the signs, follow the steps above again to keep your jack in proper working order. Your jack will last for years with the right maintenance.