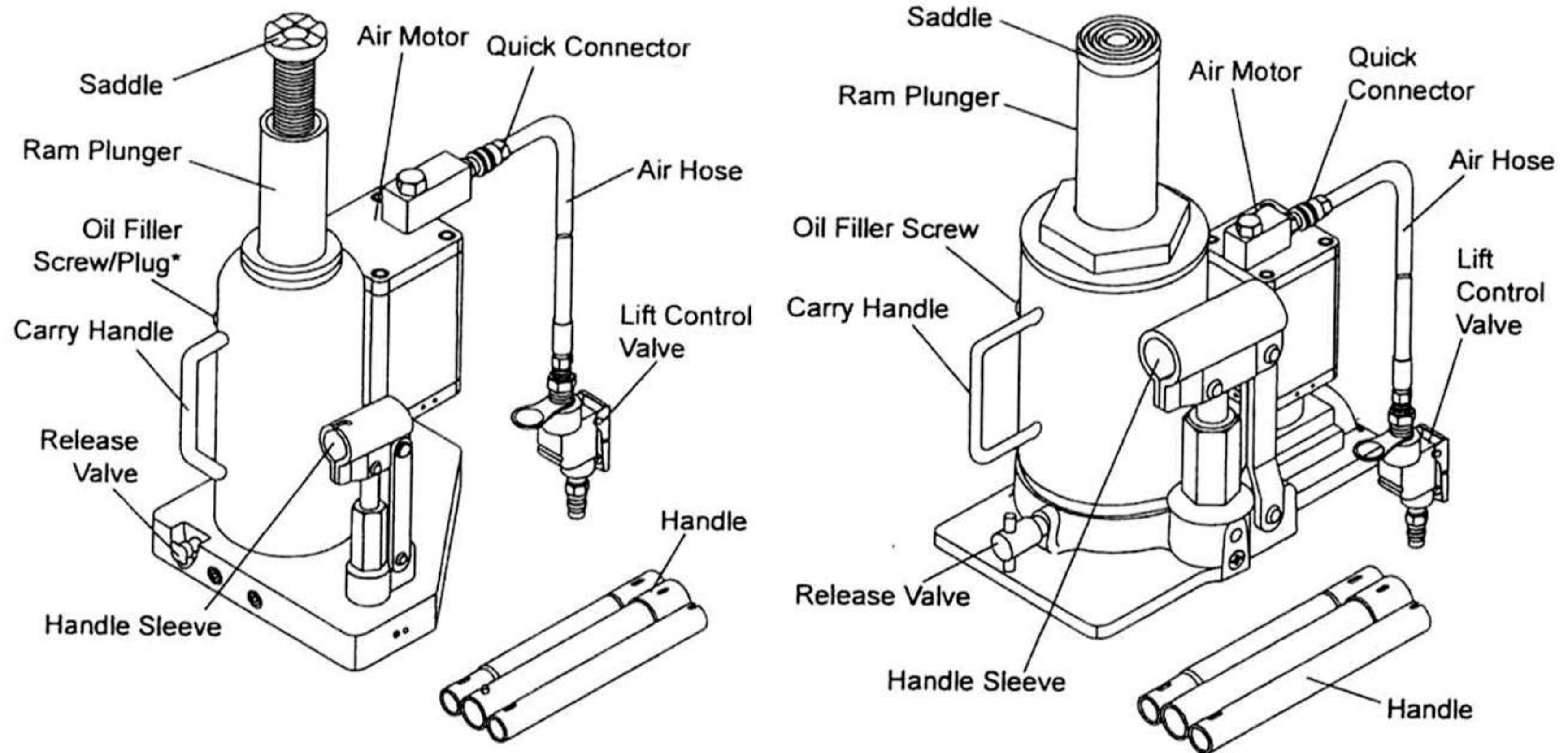


## Air Motor Bleeding Procedures



If the air motor runs but the jack won't lift try bleeding air out of the jack according to these instructions.

- 1) Open the release valve one full turn
- 2) Slightly depress the lift control valve so the air motor runs slowly
- 3) As the air motor runs slowly turn the release to the right. The ram plunger should begin to raise, continue until the release valve is fully closed.
- 4) Open the release valve again and push down on the ram, if you hear air in the system repeat the procedure a couple of times

# Bleeding Procedures for Jacks with an Air Motor

First, know this style jack is VERY fluid sensitive – so too much or too little fluid can cause issues. But if your fluid level is good, it is possible your jack has an air bubble somewhere. What we do here is remove the fill plug on top of the hydraulic reservoir. You will need a clean, empty squeeze bottle of sorts (we use a dawn dish soap bottle). Slowly push in your air control valve (or you might get a hydraulic shower) and at the same time give a pop of air from your squeeze bottle into the hydraulic reservoir. This will help push everything through the system and it should take right off.

If you have the guts, this is another way...

Follow the same steps above but, use an air gun with a rubber tip. You should need about 33 lbs of air pressure. **THIS IS NOT FOR THE FAINT OF HEART.** This is only for the professional. Done improperly, this could damage your jack.

## OPTION 1



## OPTION 2 FOR PROFESSIONALS ONLY

