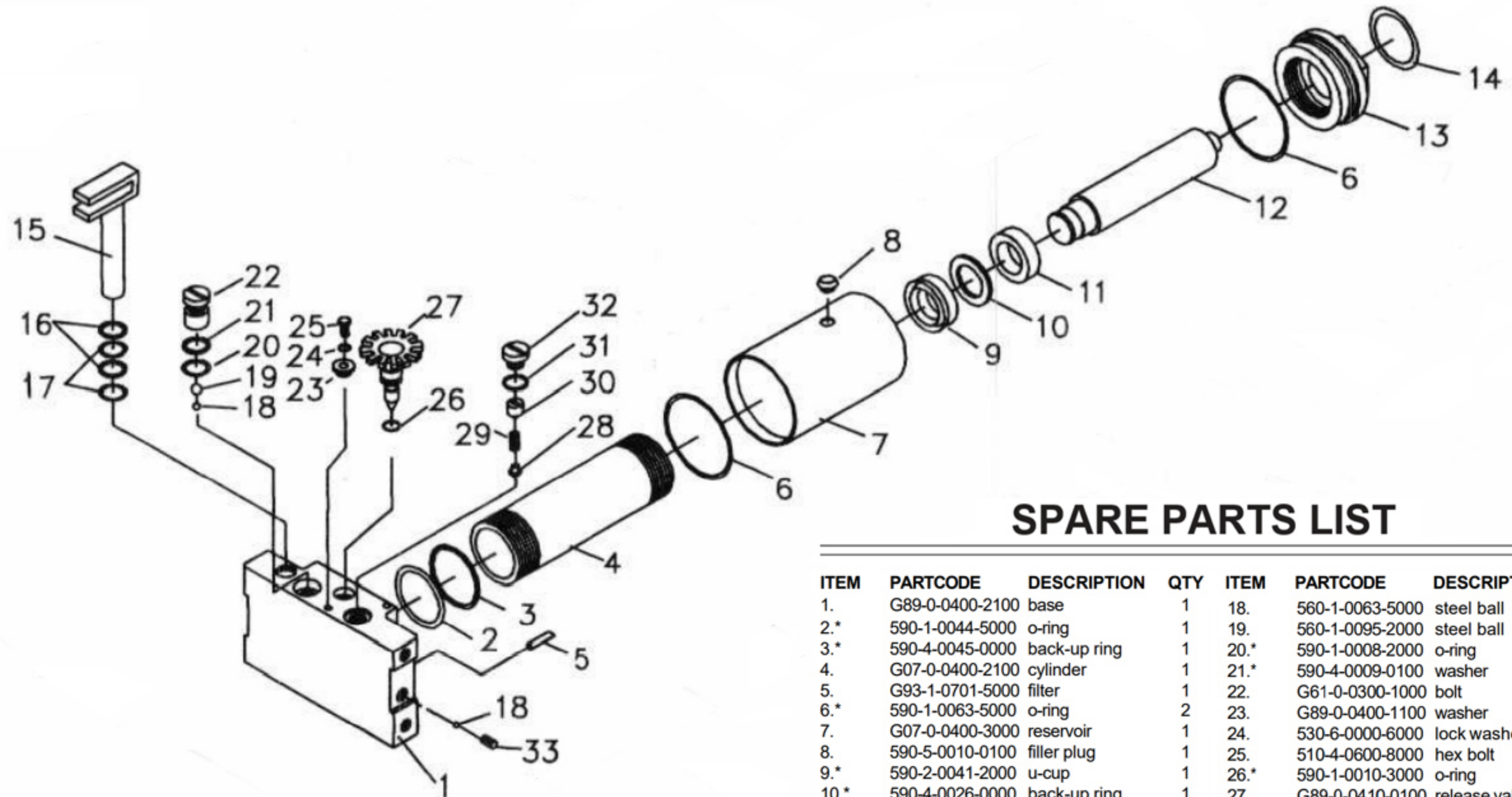


# NON-QUICK-LIFT FLOOR JACK W/ GEAR-TYPE RELEASE



## SPARE PARTS LIST

ITEM	PARTCODE	DESCRIPTION	QTY	ITEM	PARTCODE	DESCRIPTION	QTY
1.	G89-0-0400-2100	base	1	18.	560-1-0063-5000	steel ball	2
2.*	590-1-0044-5000	o-ring	1	19.	560-1-0095-2000	steel ball	1
3.*	590-4-0045-0000	back-up ring	1	20.*	590-1-0008-2000	o-ring	1
4.	G07-0-0400-2100	cylinder	1	21.*	590-4-0009-0100	washer	1
5.	G93-1-0701-5000	filter	1	22.	G61-0-0300-1000	bolt	1
6.*	590-1-0063-5000	o-ring	2	23.	G89-0-0400-1100	washer	1
7.	G07-0-0400-3000	reservoir	1	24.	530-6-0000-6000	lock washer	1
8.	590-5-0010-0100	filler plug	1	25.	510-4-0600-8000	hex bolt	1
9.*	590-2-0041-2000	u-cup	1	26.*	590-1-0010-3000	o-ring	1
10.*	590-4-0026-0000	back-up ring	1	27.	G89-0-0410-0100	release valve assy.	1
11.	G93-1-0700-2000	ram bearing	1	28.	G93-1-0700-4000	needle	1
12.	G07-0-0400-1000	piston rod	1	29.	G93-1-0700-5000	safety spring	1
13.	G93-1-0700-3100	top nut	1	30.	G93-1-0700-6000	safety valve screw	1
14.*	590-1-0031-6000	o-ring	1	31.*	590-5-0018-0000	seal	1
15.	G93-1-0701-4100	pump piston	1	32.	G93-1-0700-7000	protection screw	1
16.*	590-4-0015-0000	back-up ring	2	33.	510-9-1000-8000	hex. socket set screw	1
17.*	590-1-0015-0000	o-ring	2				