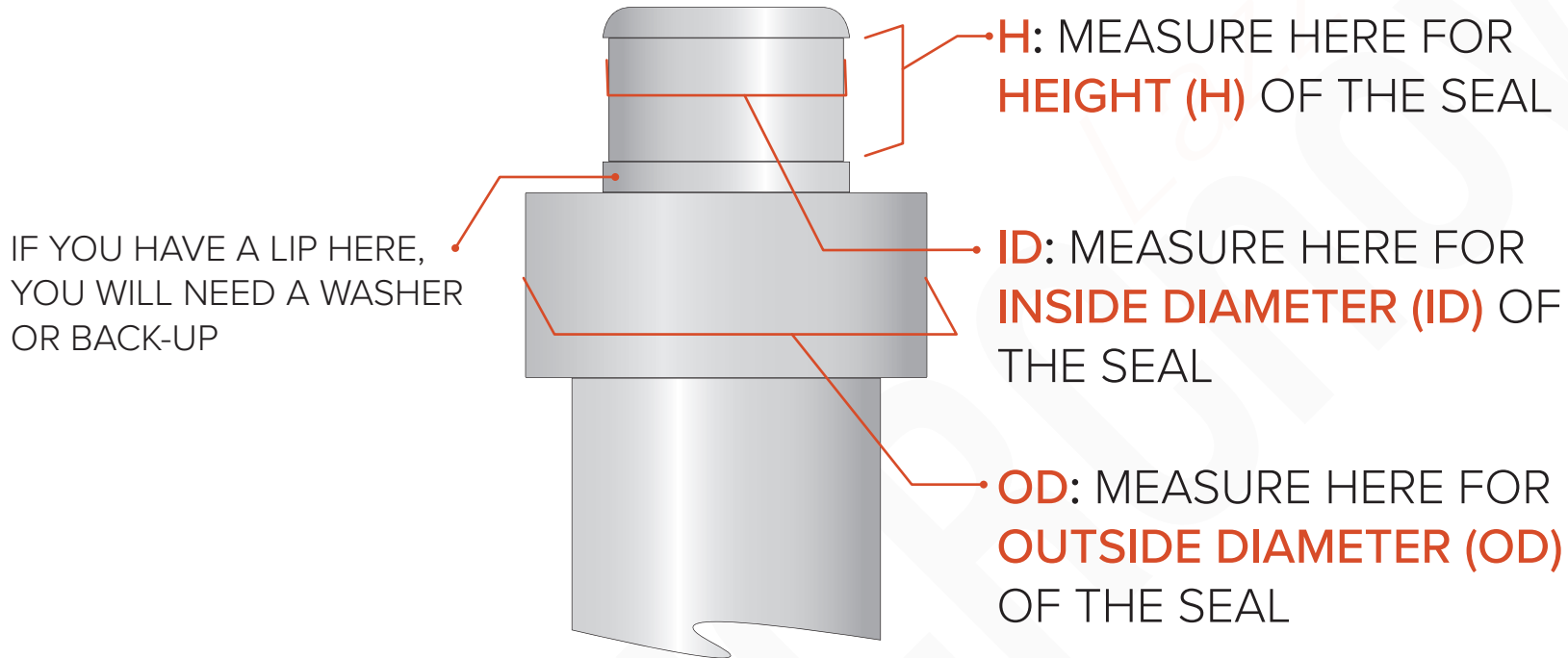
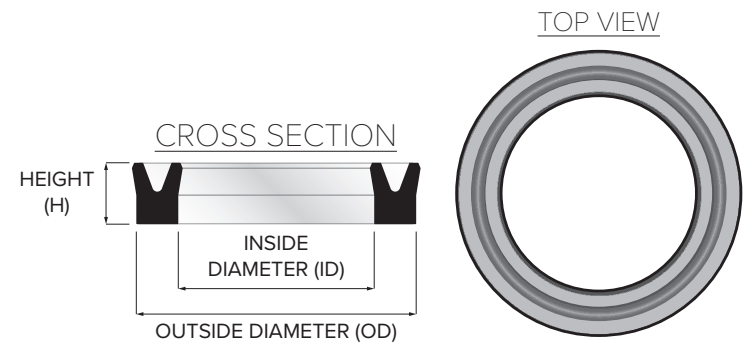


HOW TO: MEASURE A U-CUP SEAL USED ON A RAM



Note: For accurate measurements, please measure the metal ram, not the old seal.



ID _____ / OD _____ / H _____

ID _____ / OD _____ / H _____

ID _____ / OD _____ / H _____