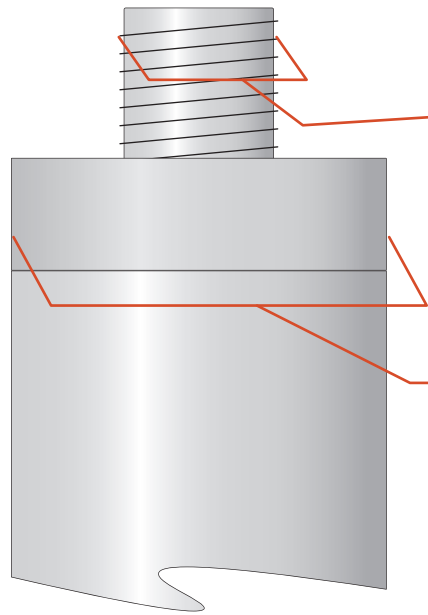


# HOW TO: MEASURE A LEATHER PISTON CUP



**ID:** MEASURE HERE FOR  
**INSIDE DIAMETER (ID)** OF  
THE SEAL

**OD:** MEASURE HERE FOR  
**OUTSIDE DIAMETER (OD)**  
OF THE SEAL

Note: For accurate measurements, please measure the metal ram, not the old seal.

